

Wiring Diagram

LIFAN X60

1.8VVT/CVT/MT



Content

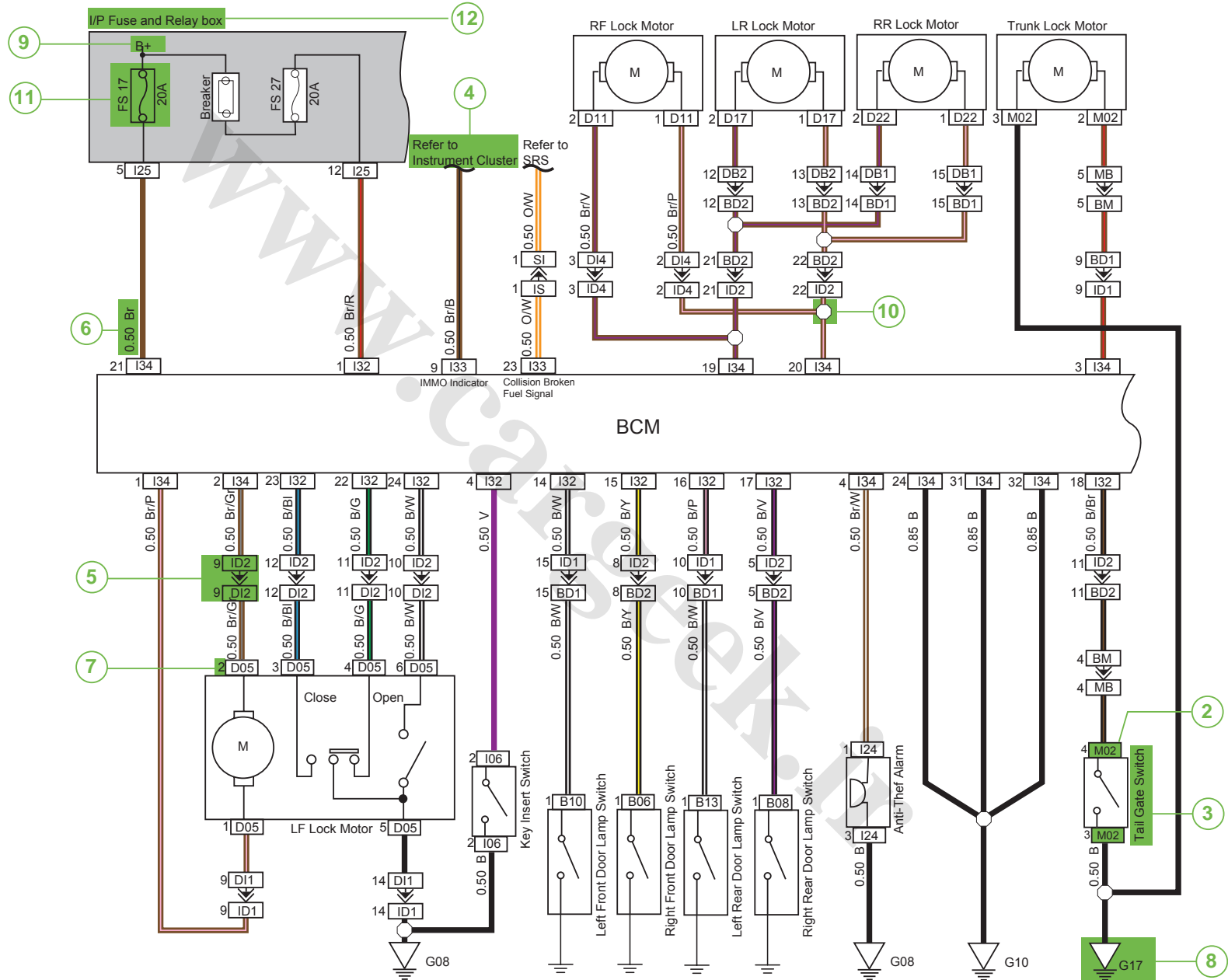
1. Content.		
2. Introduction	1	
3. Symbol	3	
4. Circuit Diagnosis	4	
Circuit Diagnosis Procedure.....	4	
Circuit Diagnosis Device.....	5	
Repair Tools.....	6	
Terminal Repair.....	7	
Poor Ground Connection Repair.....	8	
5. Wiring Diagram	9	
Charging System / Clock Power / Starting System(Delphi).....	9	
Charging System / Clock Power / Starting System(UE).....	10	
Ignition System / Fuel System(Delphi).....	11	
Ignition System / Fuel System(UE).....	12	
Electronic Control System(Delphi).....	13	
Electronic Control System(UE).....	14	
Cooling System / AC compressor(Delphi).....	15	
Cooling System / AC compressor(UE).....	16	
TCU System.....	17	
Air Conditioning / Rear Defroster / RearView Mirror Heating.....	18	
Headlamps / Daytime Running Lamp / Rear Fog Lamp.....	19	
Cigarette Lighter / Horn / Seat Heating.....	20	
Left and Right Turn Lamp / Hazard Warning Lamp.....	21	
Dome Lamp / Trunk Lamp / Sunroof.....	22	
Width Lamps / Interior Lighting.....	23	
Instrument Cluster Reverse Radar.....	24	
CD System / MP5 / Multi-Function Discreen / MP5 System.....	25	
Power RearView Mirror.....	26	
Power Window.....	27	
Wiper / Washer System.....	28	
Central Locking / Theft Deterrent System.....	29	
Supplemental Restraint System.....	30	
ABS System / Brake Lamp / Parking Lamp / Reverse Lamp.....	31	
Diagnose Interface System.....	32	
6. Fuse and relay	33	
Engine Compartment Fuse and Relay Box.....	33	
Battery Power Breaker Box.....	34	
IP Fuse and Relay Box.....	35	
IP Fuse and Relay Box Back View.....	36	
Engine Compartment Fuse and Relay Box Power Distribution(Delphi).....	37	
Engine Compartment Fuse and Relay Box Power Distribution(UE).....	38	
IP Fuse and Relay Box Power Distribution.....	39	
7. Ground Distribution	40	
Ground Distribution G01-G02-G01a-G02a-G03a-G04.....	40	
Ground Distribution G10-G11-G12.....	41	
Ground Distribution G15-G16-G17-G18.....	42	
Ground Distribution G21-G22-G23-G24.....	43	
Ground Distribution G26-G27-G28-G29.....	44	
Ground Distribution G31.....	45	
8. Harness Connector Location View	46	
Engine Harness Connector Location View.....	46	
Engine Compartment Harness Connector Location View.....	47	
IP Harness Connector Location View.....	48	
Body Harness Connector Location View.....	49	
Door and Tail Gate Harness Connector Location View.....	50	
Airbag Harness Connector Location View.....	51	
Roof Harness Connector Location View.....	52	
9. Ground Point Location View	53	
Ground Point Location View-G01-G02-G01a-G02a-G03a.....	53	
Ground Point Location View-G10-G11-G12.....	54	
Ground Point Location View-G15-G16-G17-G18.....	55	
Ground Point Location View-G26-G27-G28-G29.....	56	
Ground Point Location View-G24.....	57	
Ground Point Location View-G21.....	58	
Ground Point Location View-G31.....	59	
10. Harness Connector View	60	
Engine Harness Connector(E--)	60	
E01.....	60	
E02-E03-E04.....	61	
E05-E06-E07-E08.....	62	
E09-E10-E11-E12.....	63	
E13-E14-E15-E16.....	64	
E17-E18-E19-E20.....	65	
E21-E22-E23-E24.....	66	
E25-E26-E11.....	67	
EU1-EI2.....	68	
E01a.....	69	
E02a-E03a.....	70	
E04a-E05a-E06a-E07a.....	71	
E08a-E9a-E10a-E11a.....	72	
E12a-E13a-E14a-E15a.....	73	
E16a-E17a-E18a-E19a.....	74	
E20a-E21a-E22a-E23a.....	75	
E24a-EI1a.....	76	
EU1a.....	77	
Engine Compartment Harness Connector(U--)	78	
U01-U02-U03-U04.....	78	

Content

U05-U06-U07-U08.....	79	Tail Gate Harness Connector(T--)	120
U09-U10-U11.....	80	T01-T02-T03-T04.....	120
U12-U13.....	81	T05-T06-TB1.....	121
U14-U15-U16-U17.....	82	Door Harness Connector(D--)	122
U18-U19-U20-U21.....	83	D01-D02-D03-D04.....	122
U22.....	84	D05-D06-D08.....	123
U23-UI1.....	85	D09-D10-D11-D12.....	124
UI2-UI3.....	86	D13-D14-D15-D16.....	125
UE1-UE1a.....	87	D17-D18-D19-D20.....	126
Instrument Harness Connector(I--)	88	D21-D22-D23.....	127
I01-I02.....	88	DI1-DI2.....	128
I03-I04-I05-I06.....	89	DI3-DI4.....	129
I07-I08.....	90	DB1-DB2.....	130
I09-I10-I11.....	91	Roof Harness Connector(R--)	131
I12-I13.....	92	R01-R02-R03.....	131
I14-I15-I16.....	93	R04-RI1.....	132
I17-I20-I21-I22.....	94	SRS Harness Connector(S--)	133
I23-I24-I25.....	95	S01-S02-S03-S04.....	133
I26-I27.....	96	S05.....	134
I28-I29.....	97	SI1.....	135
I30-I31-I32-I33.....	98	Rear bump Harness Connector(M--)	136
I34-I35-I36-I37.....	99	M01-M02-M03-M04.....	136
I38-I39.....	100	MB1.....	137
I40-I41.....	101	Air Conditioning Harness Connector(A--)	138
I42-I43-I44.....	102	A01-A02-A03-A04.....	138
IB1-IB2.....	103	A05-A06-A-07.....	139
IB3-IU1.....	104	AI1.....	140
IU2-IU3.....	105	11.Abbreviations	141
ID1-ID2.....	106		
ID3-ID4.....	107		
IE1-IE1a.....	108		
IE2-IR1.....	109		
IS1-IA1.....	110		
Body Harness Connector(B--)	111		
B01-B02-B03-B04.....	111		
B05-B06-B07-B08.....	112		
B09-B10-B11-B12.....	113		
B13-B14-B15-B16.....	114		
B17-B18.....	115		
B19-B20-BI1.....	116		
BI2-BI3.....	117		
BD1-BD2.....	118		
BM1-BT1.....	119		

Introduction

Central Lock and Theft Deterrent System



Introduction

1. System name.

2. Harness connector naming.

In this manual, the harness connector naming is based on harness. For example, I/P connector is named as I23. I is the harness code, 23 is the connector number.

The table below lists all harness:

Code	Harness
U	Engine compartment harness
U--	Engine compartment harness connector
E	Engine harness
E--	Engine harness connector
I	Instrument panel harness
I--	Instrument panel harness connector
T	Tail Gate harness
TB--	Tail Gate harness connector
D	Door harness
D--	Door harness connector
A	Air Conditioning harness
A--	Air Conditioning harness connector
S	Airbag harness
S--	Airbag harness connector
R	Roof harness
R--	Roof harness connector
M	Rear Bumper harness
M--	Rear Bumper harness connector

Note:

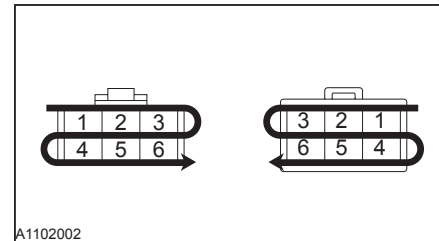
1. Door harness includes four door harness.
2. For harness connector details, please refer to connector location views.
3. Component name.
4. System information.
5. Harness to harness connector. The character in the box is the connector code.

6. Wire color and diameter. The following table shows the color code.

Color Code	Wire Color	Legend
B	Black	
Br	Brown	
Bl	Blue	
G	Green	
Gr	Grey	
O	Orange	
P	Pink	
R	Red	
V	Purple	
W	White	
Y	Yellow	

If a wire has two colors, the first character shows the background color and the second shows the stripe color, divided by "/". For example, YE/WH means yellow background color with white stripe.

7. Pin number. The connector pin numbers are mirrored to the ones that connect to them, as shown below:

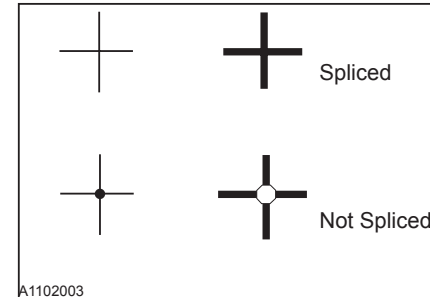


8. Ground number. The ground number starts with G. For ground details, please refer to ground location views.

9. Fuse supply. +B represents battery power supply. ACC represents power supply when ignition switch is at "ACC" position. IG2 represents power supply from terminal 4 when ignition switch is at "ON" position. IG1 represents power supply from terminal 2 when ignition switch is at "ON" position.

Note: The difference between IG1 and IG2 is that there is power supply output from IG1, but not from IG2 when the ignition switch is at "ST" position.

10. Splice



11. Fuse number consists of fuse code and a sequential number.

12. Grey shade means fuse and relay box.

Symbol

	Ground		Relay-Normally Closed		Battery		Ground		Relay-Normally Closed		UTP Unshielded Twisted Pair
	Temperature Sensor		Relay-Normally Open		Capacitor		Temperature Sensor		Relay-Normally Open		Starter
	Solenoid		Double Throw Relay		Cigarette Lighter		Solenoid		Horn		Fan Assembly
	Solenoid		Resistor		Antenna		Solenoid		Clock Spring		Oxygen Sensor
	Light Load Fuse		Potentiometer		Switch-Normally Open		Light Load Fuse		Airbag		Low Speed Fan Relay B
	Moderate Load Fuse		Rheostat		Switch-Normally Closed		Not Sliced		Sliced		
	Heavy Load Fuse		Ignition Coil		Double Throw Switch	A1104002					
	Heater		Knock Sensor		Ignition Switch						

Circuit Diagnosis

Circuit Diagnostic Procedure

Refer to the following procedure for the circuit diagnosis:

1. Confirm the Fault

To do the proper repair, confirm the fault described by the customer firstly. Inspect the relevant component carefully and make record. DO NOT disassemble the component before confirmation of the fault scope and causes.

2. Read the Wiring Diagram and Analyze the Causes.

Make a complete analysis on the faulty components from power supply to ground according to the sub-system wiring diagram and determine the repair solution. If can not determine the repair solution, please read the system description in the "Description and Operation" in the workshop manual to clear the working principle. And inspect other circuits that has common part with the faulty circuit, for example, the fuse, ground, switch, etc. Inspect the circuit not covered in step 1. If other components on the common circuit work properly, it means the fault exists in its own circuit. Otherwise, the fuse or ground might has faults.

3. Inspect the Circuits and Components.

Always use the wiring diagram together with workshop manual and refer to the diagnostic procedure for the relevant circuits or components in the workshop manual. For the circuit with a control module, fully use diagnostic tools to do the test. Effective diagnosis should be a logical and reasonable operation. Fully use the diagnostic procedures in the workshop manual and start the inspection from the most likely causes and the components be easiest to inspect.

4. Repair

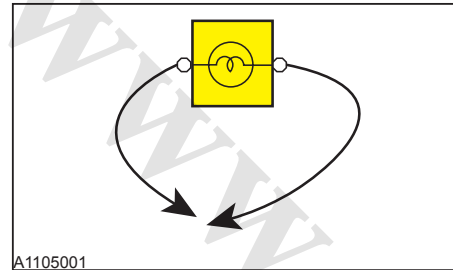
Repair the faulty circuit. Refer to the wiring diagram and workshop manual for fault treatment. For example, the treatment on bad connection to ground and the harness connector.

5. Confirm the Fault Removed.

After repair, confirm the fault removed and all functions work properly. For the fuse blown fault, check all the relevant circuits.

Circuit Diagnostic Device

1. Voltmeter and Test Light



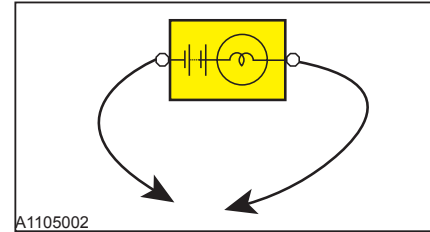
Use test light or voltmeter to check the circuit status.

Test light comprises a pair of wires and a 12V bulb. When inspecting, connect one wire to the ground and the other one to the measurement point. If the bulb is lit, it means the measurement point has power supply.

Warning: DO NOT use test light to test the control module voltage. To do so, it could damage the circuit inside the control module. Please use a voltmeter with 10M Ω or higher internal impedance (e.g. to test the ECM voltage).

Voltmeter has the same connection method as the test light, but voltmeter can display the voltage value of the circuit. Use a voltmeter with high impedance to test the voltage. If the circuit has poor connection, the voltmeter may show the normal value, but the voltage can not drive the load successfully.

2. Test Light with Self-supply and Ohmmeter

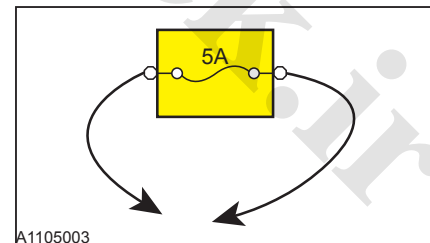


Use test light with own 12V power supply or ohmmeter to test the circuit continuity. Test light comprises a bulb, battery and a pair of wires. The bulb will be lit when the two wires contacted. Before test, disconnect the battery negative and pull out the fuse of the circuit to be tested. To test the circuit continuity, contact two wires to the two measurement points. If the bulb is lit, it means the circuit is continuous.

Warning: DO NOT use test light with self-supply to test the control module. To do so, it could damage the circuit inside the control module. Please use a ohmmeter with 10M Ω or higher internal impedance.

Ohmmeter has the same usage method as voltmeter, but ohmmeter can show the impedance value. The lower impedance, the better continuity.

3. Jumper with Fuse

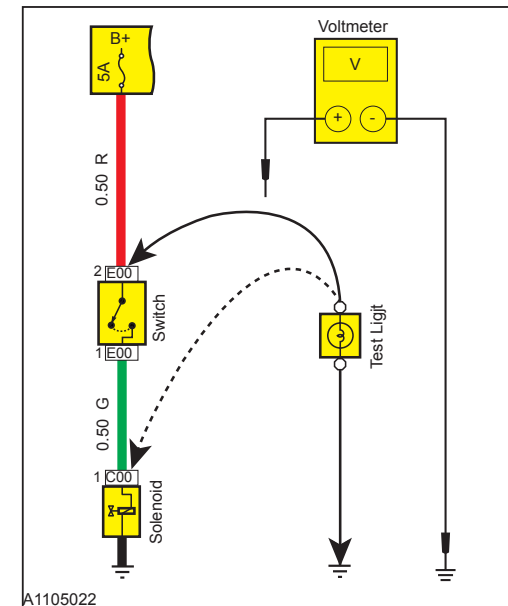


Use jumper to test a broken point for open loop circuit (circuit broken). The jumper should be in tandem with the circuit to be tested.

Warning: To protect the circuit, DO NOT use the fuse with higher rated capacity than the circuit to be tested. DO NOT use the jumper as the input or output signal when a control module like ECM, TCM is in the circuit. To do so, it could damage the circuit inside the control module.

Fault Test

1. Voltage Test



Voltage test process is to test the voltage at a certain point. When testing the connector terminals, insert the positive probe into the wire instead of breaking the harness.

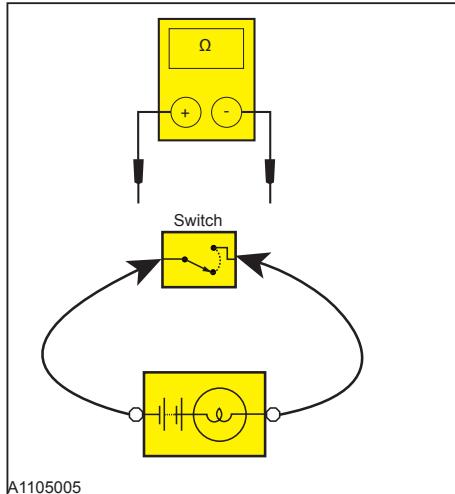
1. When testing the voltage with test light or voltmeter, connect the negative wire of the test light or the negative probe of the voltmeter to the ground.

2. Connect the other wire of the test light or the positive probe of the voltmeter to the place to be tested.

Circuit Diagnosis

3. It means circuit fault if light is not lit. If using voltmeter and voltage display is lower than the rated value with more than 1V, it means the circuit fault.

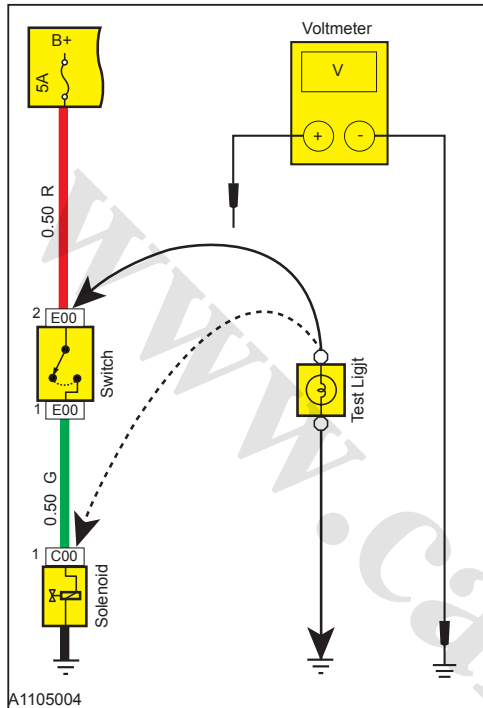
2. Power Test



A1105005

1. Disconnect the battery negative.
2. Connect one of the wire of the test light with self-supply or the probe of the ohmmeter to the component to be tested. If using ohmmeter, please contact the two probes each other and use reset button to adjust the ohmmeter to zero.
3. Connect the other wire of the test light or probe of the ohmmeter to the other side of the load to be tested.
4. If the bulb is lit, it means the circuit is continuous. If using ohmmeter, the impedance value should be very small or close to 0 Ω .

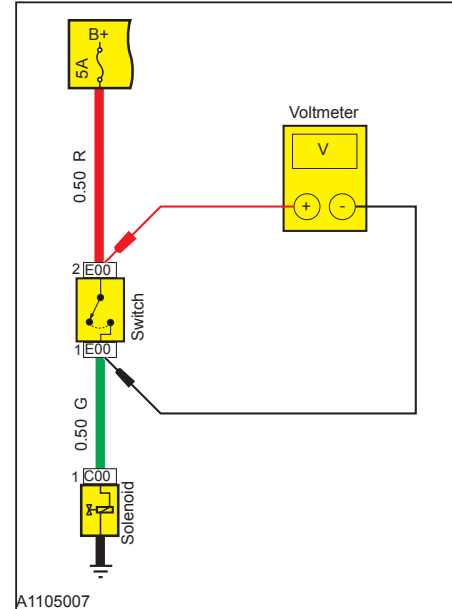
3. Short Circuit Test



A1105004

1. Disconnect battery negative.
 2. Connect one of the wire of the test light with self-supply or the probe of the ohmmeter to the outlet terminal of the fuse.
 3. Connect the other wire of the test light or probe of the ohmmeter to the ground.
 4. Disconnect all the loads to the fuse.
- ⚠ Note:** If not disconnect all the loads to the fuse, when testing the low impedance circuit like lights, the ohmmeter will always display the low impedance value. This will cause wrong judgement.
5. Do the careful test from the place closest to the fuse.
 6. If the bulb is lit or ohmmeter has value display less than 5 Ω , it means the short circuit to the ground.

4. Voltage Drop Test

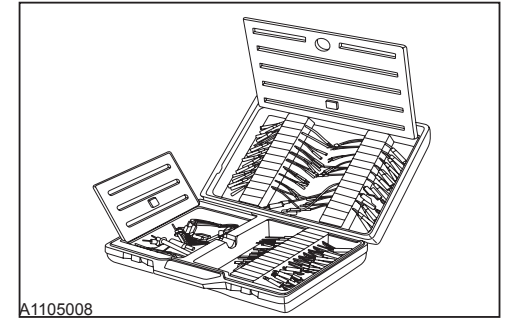


A1105007

This is to test the voltage drop along the wire, connector or switch.

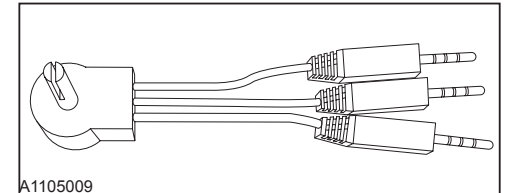
1. Connect the positive probe of the voltmeter to the end of the circuit close to the battery (connector or switch side).
2. Connect the negative probe to the other end of the circuit (the other side of the connector or switch).
3. Disconnect switch or connect it.
4. The voltmeter will display the voltage drop between the two test points.
5. If the drop is more than 0.1 V (less than 50 mV for 5 V voltage circuit), it means the circuit fault. Check loose, oxidation or corrosion circuit.

Repair Tools



A1105008

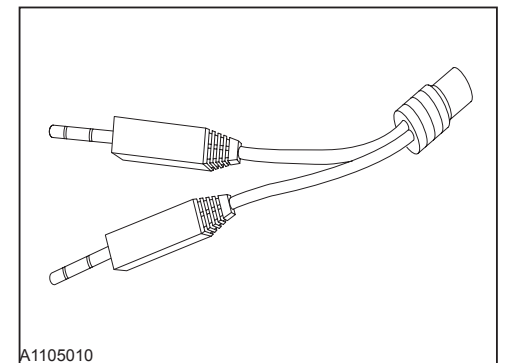
1. 5K Ω Rheostat



A1105009

It can simulate ohm-type sensor signals, like coolant temperature sensor, air intake temperature sensor, etc. And help to make quick adjustment on the performance of the component.

2. LED Test Light

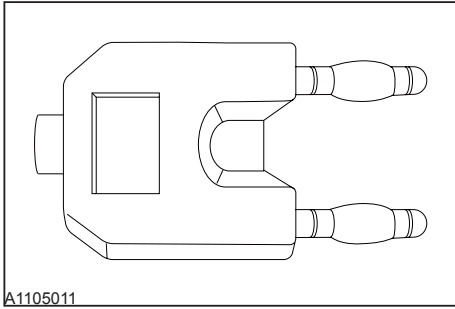


A1105010

Circuit Diagnosis

Bi-direction two-color LED light can change its color when exchanging the positive and negative. This feature can be used to test the PWM control signals of Hall sensor.

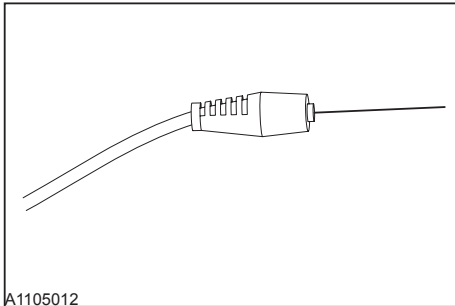
3. Airbag Test Tool



A1105011

Before installing a new airbag, plug this tool to the airbag system, and use diagnostic tools to test the airbag system to confirm it works properly. After that, remove the airbag test tool and install the new airbag. This process can guarantee a safe airbag operation.

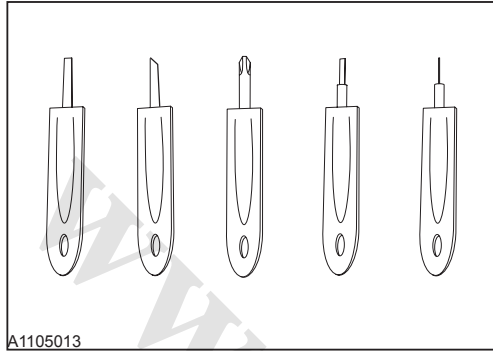
4. Probe



A1105012

When testing a system component, insert this tool into the connector from the back and do not need to break the harness.

5. Terminal Repair Tool

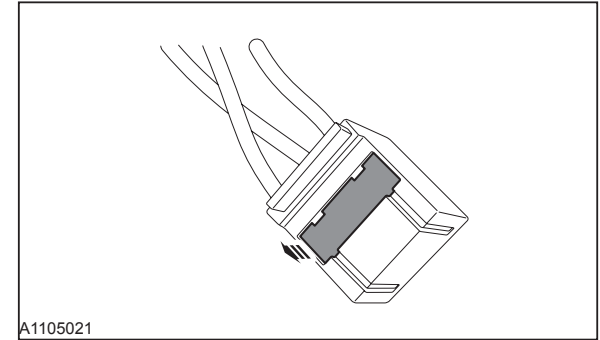


A1105013

When repairing the terminals, use this tool to separate them from the connector.

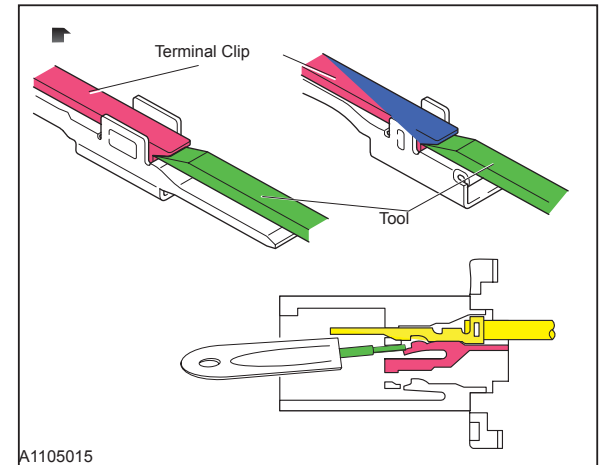
Terminal Repair

1. Remove the terminal pin.



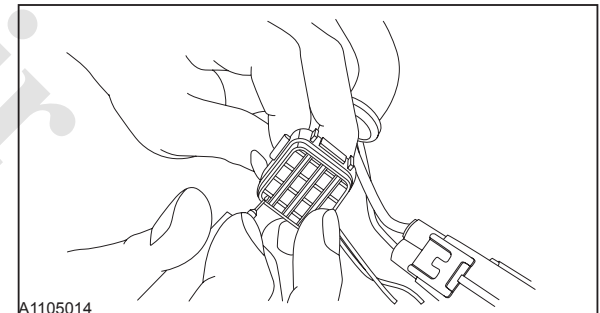
A1105021

2. Fix the clip with terminal repair tool.



A1105015

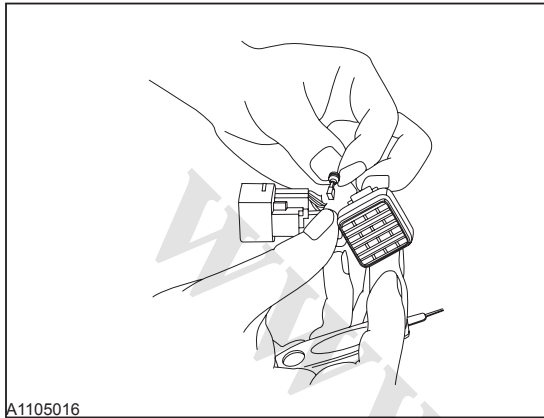
3. Pull out the terminal from the rear of connector.



A1105014

Circuit Diagnosis

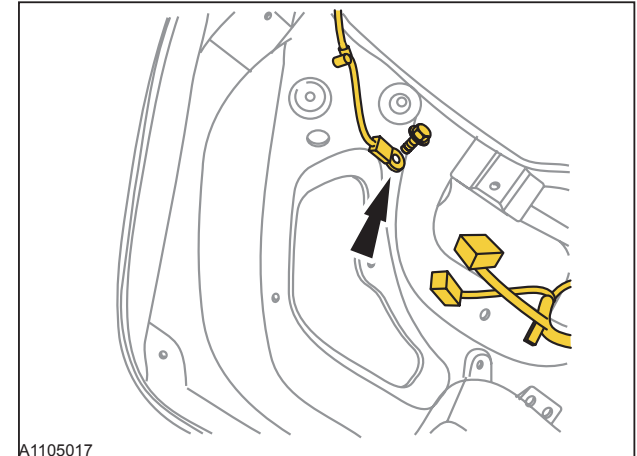
4. Clean and repair the terminals.



A1105016

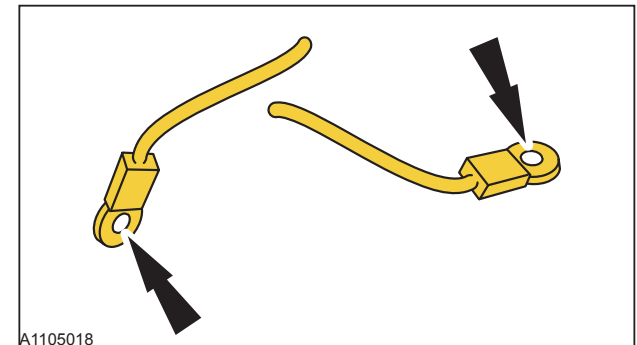
Poor Ground Connection Repair

1. Remove the ground bolt.



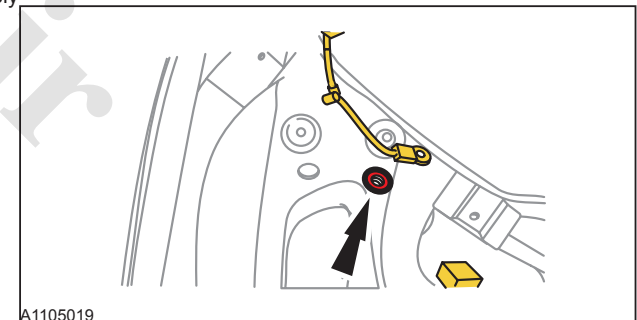
A1105017

2. Clean the two surfaces (both bolt side and car contact side) of the copper ring with grit cloth until the oxide completely cleared.



A1105018

3. Clean the ground surface on the car with grit cloth until it completely clean.

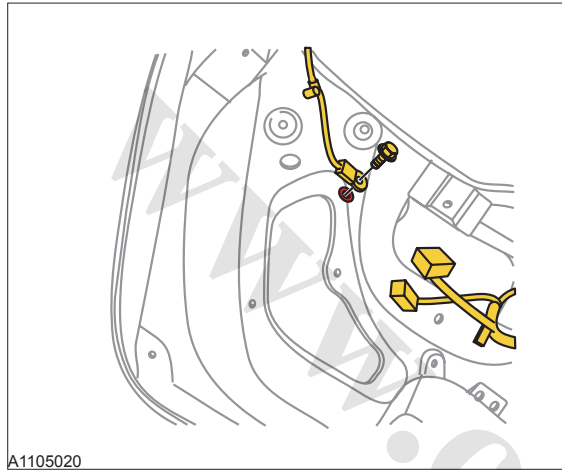


A1105019

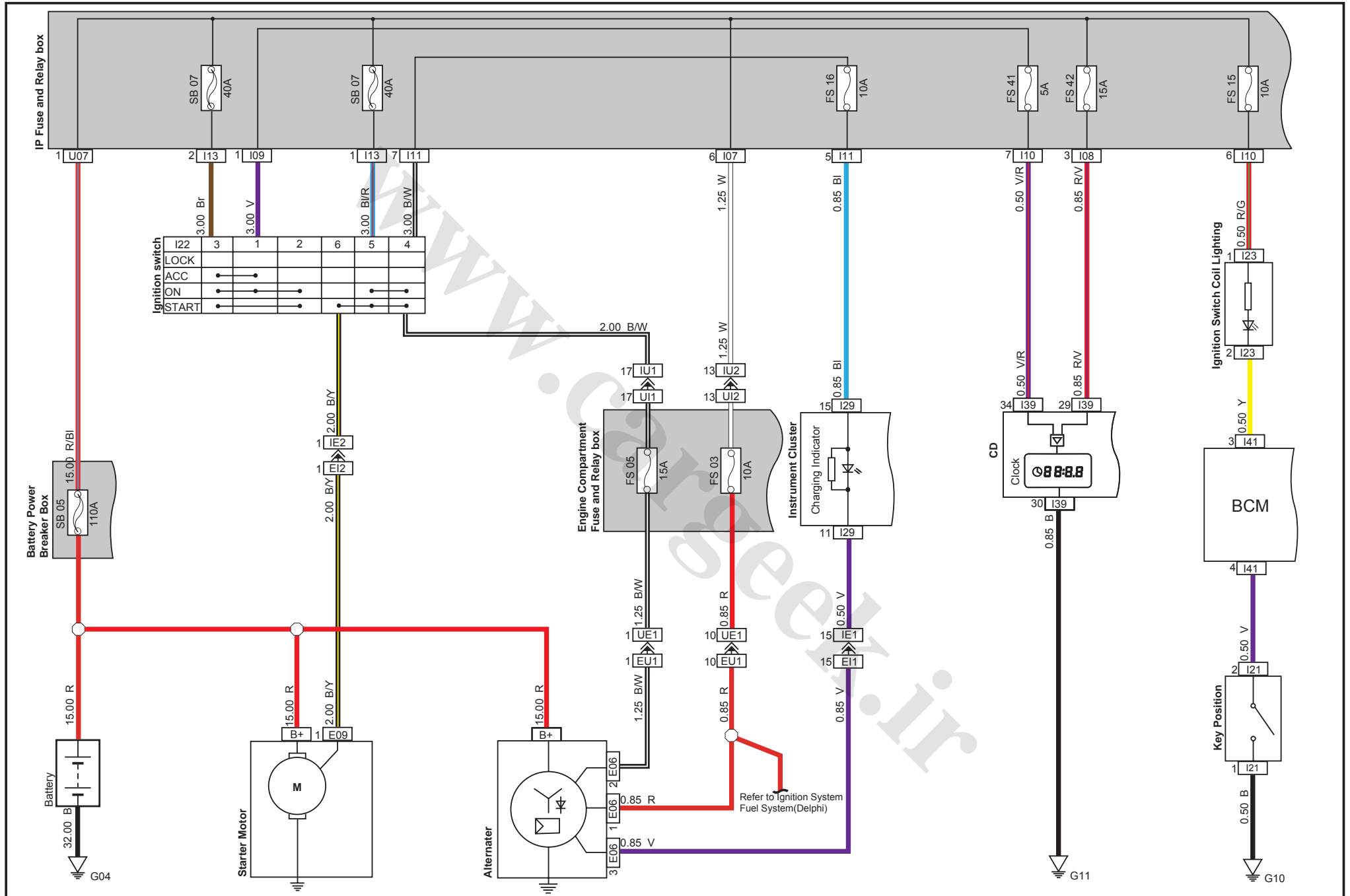
Circuit Diagnosis

4. Install the harness and the bolt. Tighten to specified torque.

Torque: M6 Bolts 8 Nm/M8 Bolts 20 Nm

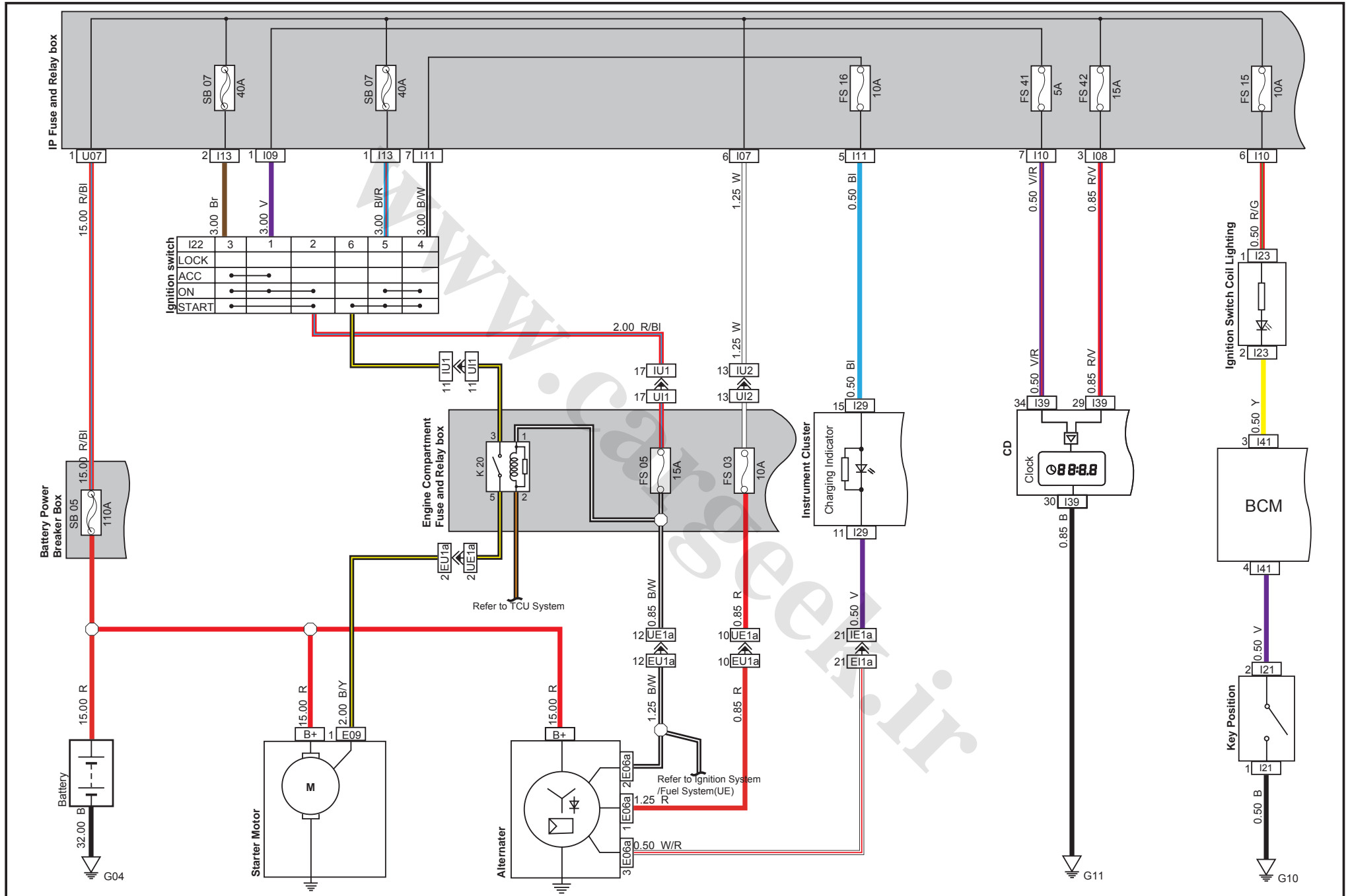


Charging System / Clock Power / Starting System(Delphi)



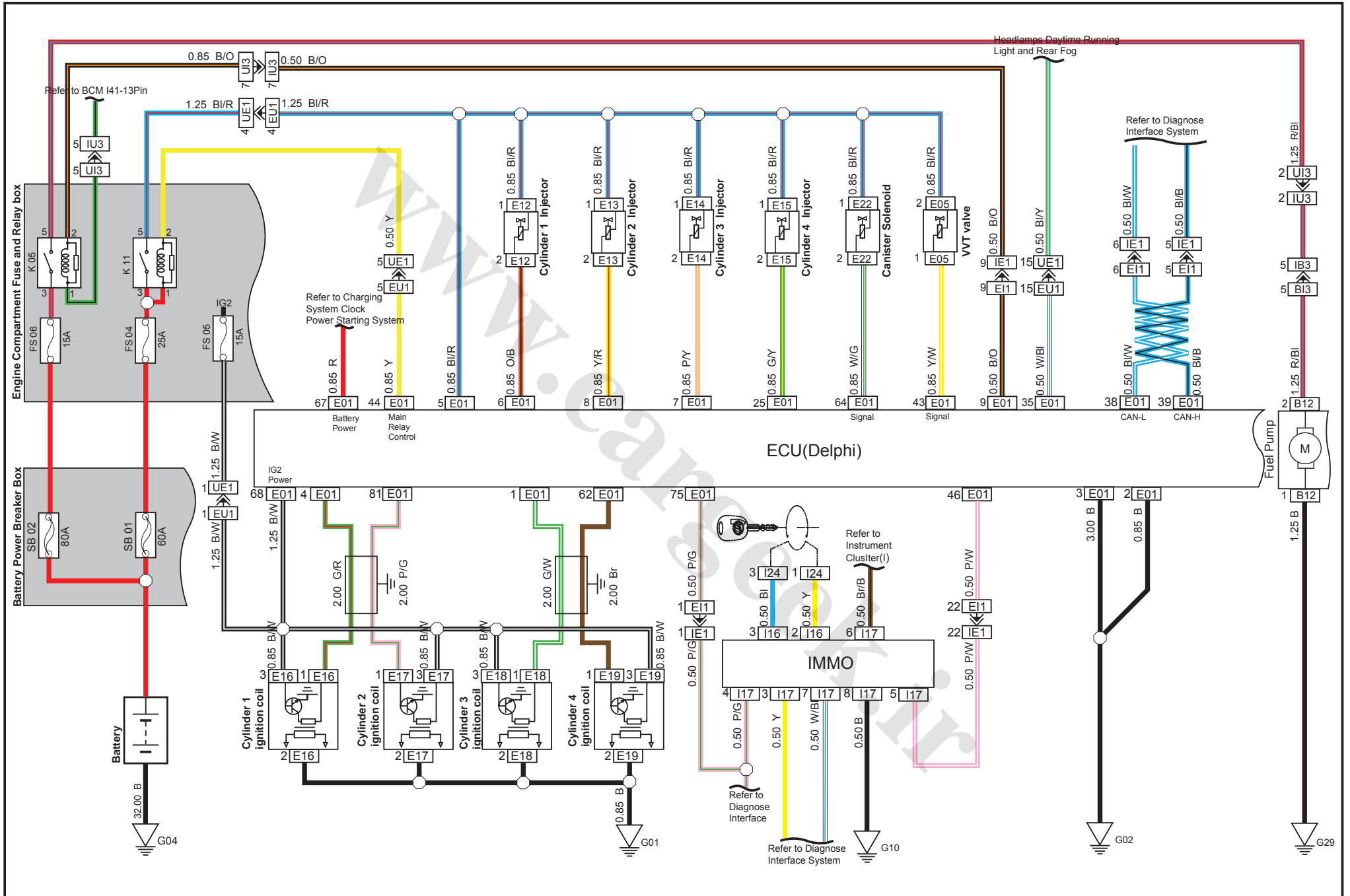
LIFAN X60

Charging System / Clock Power / Starting System(UE)

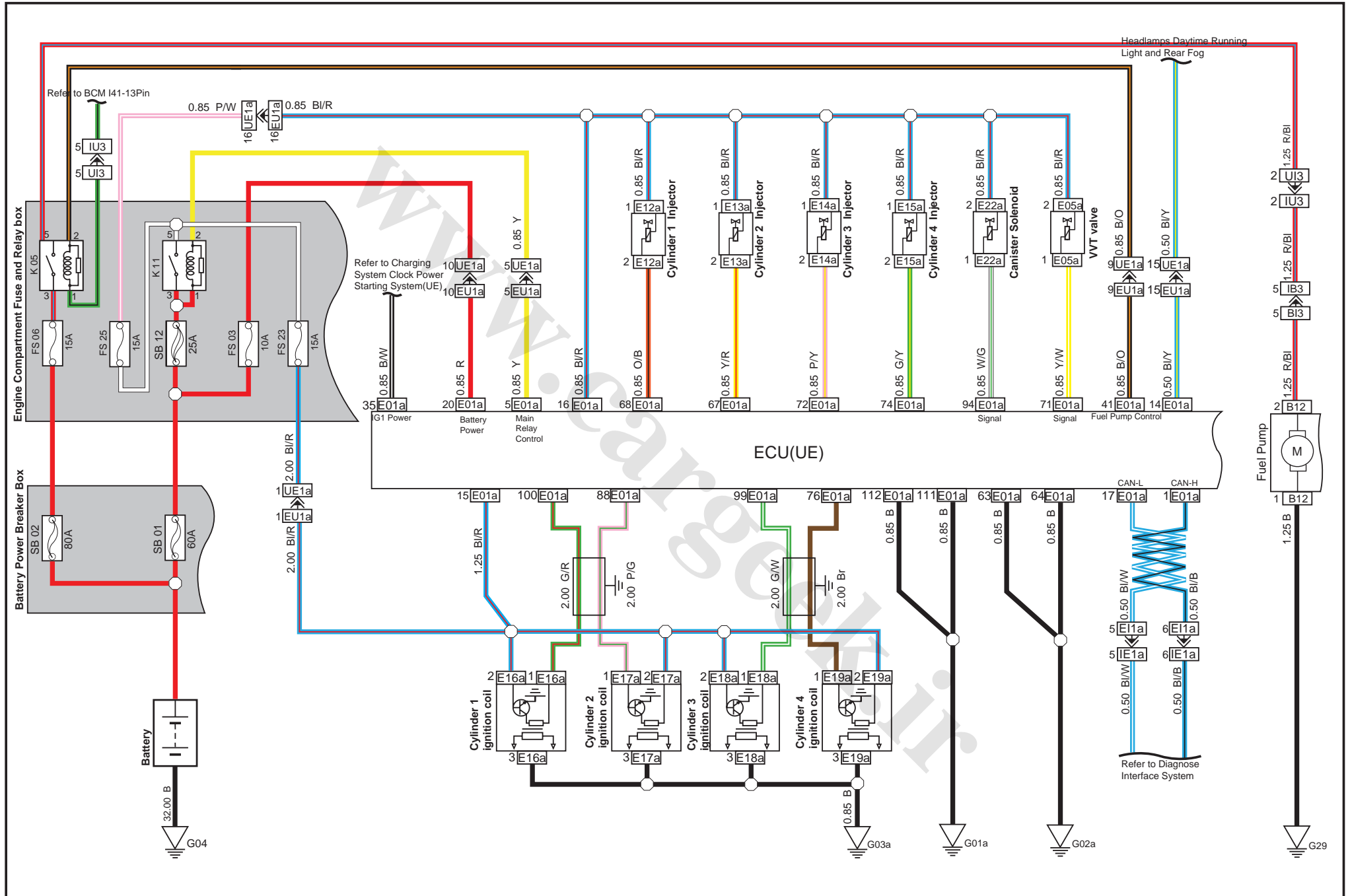


LIFAN X60

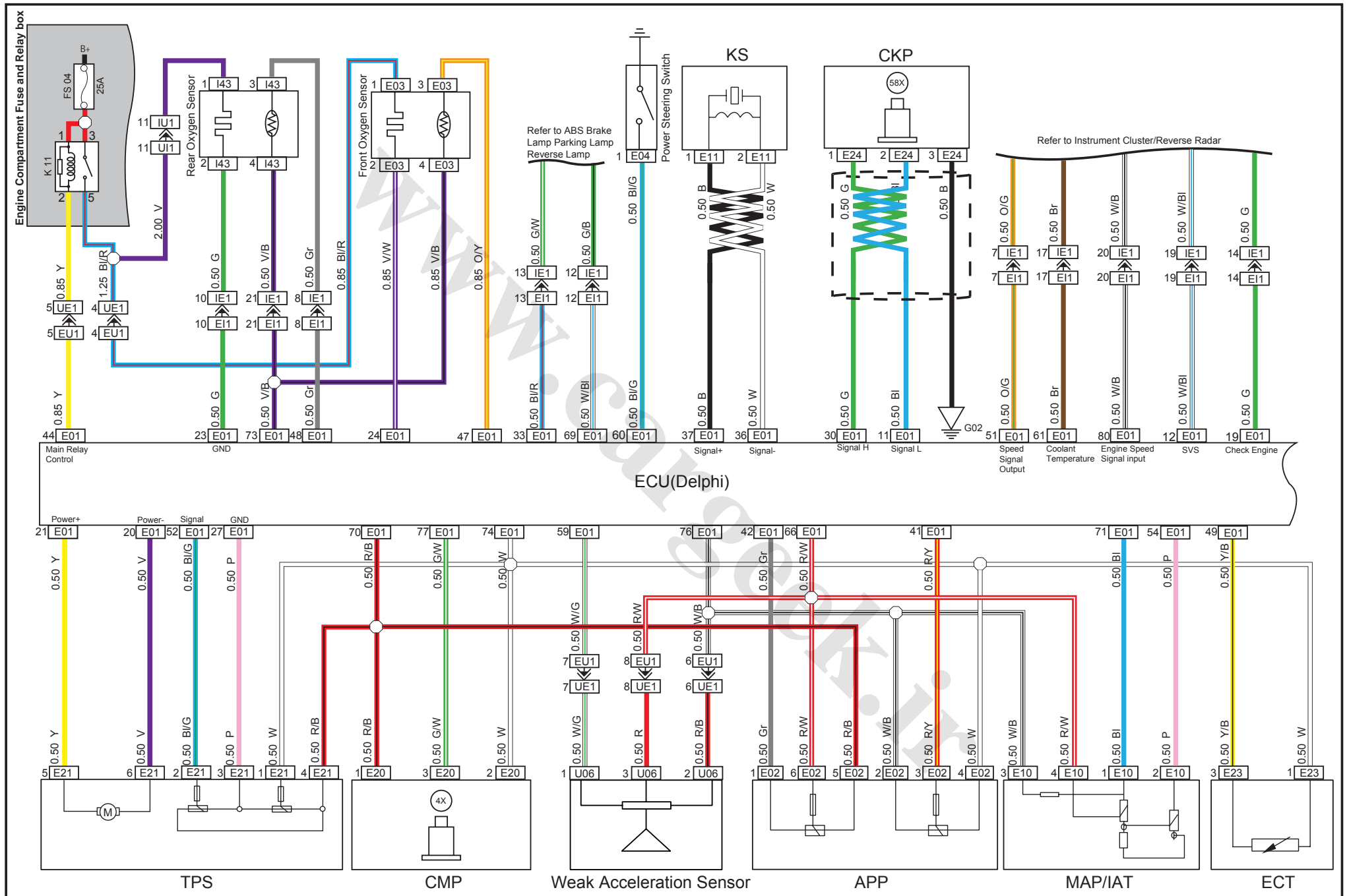
Ignition System / Fuel System(Delphi)



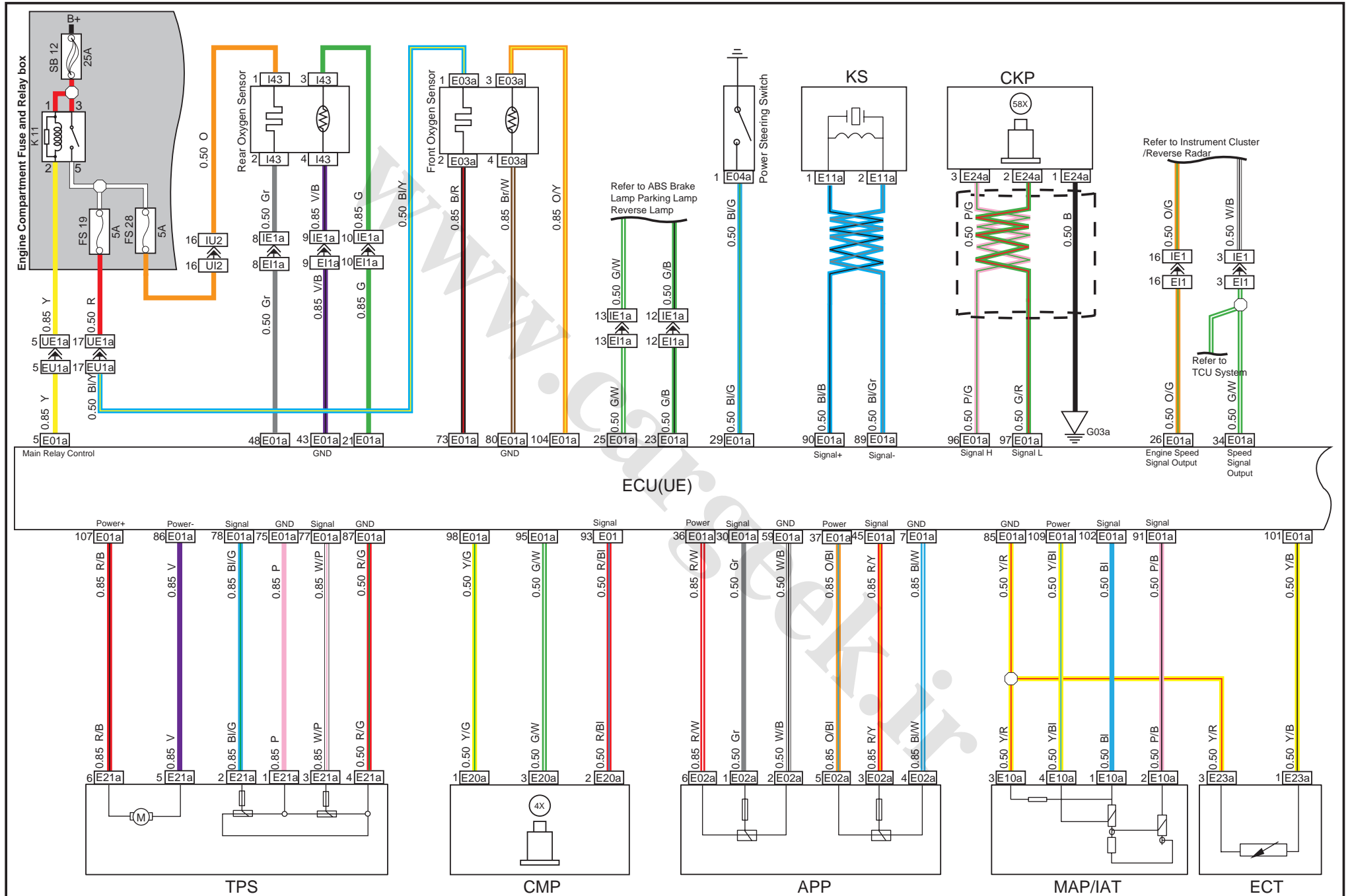
Ignition System / Fuel System(UE)



Electronic Control System(Delphi)

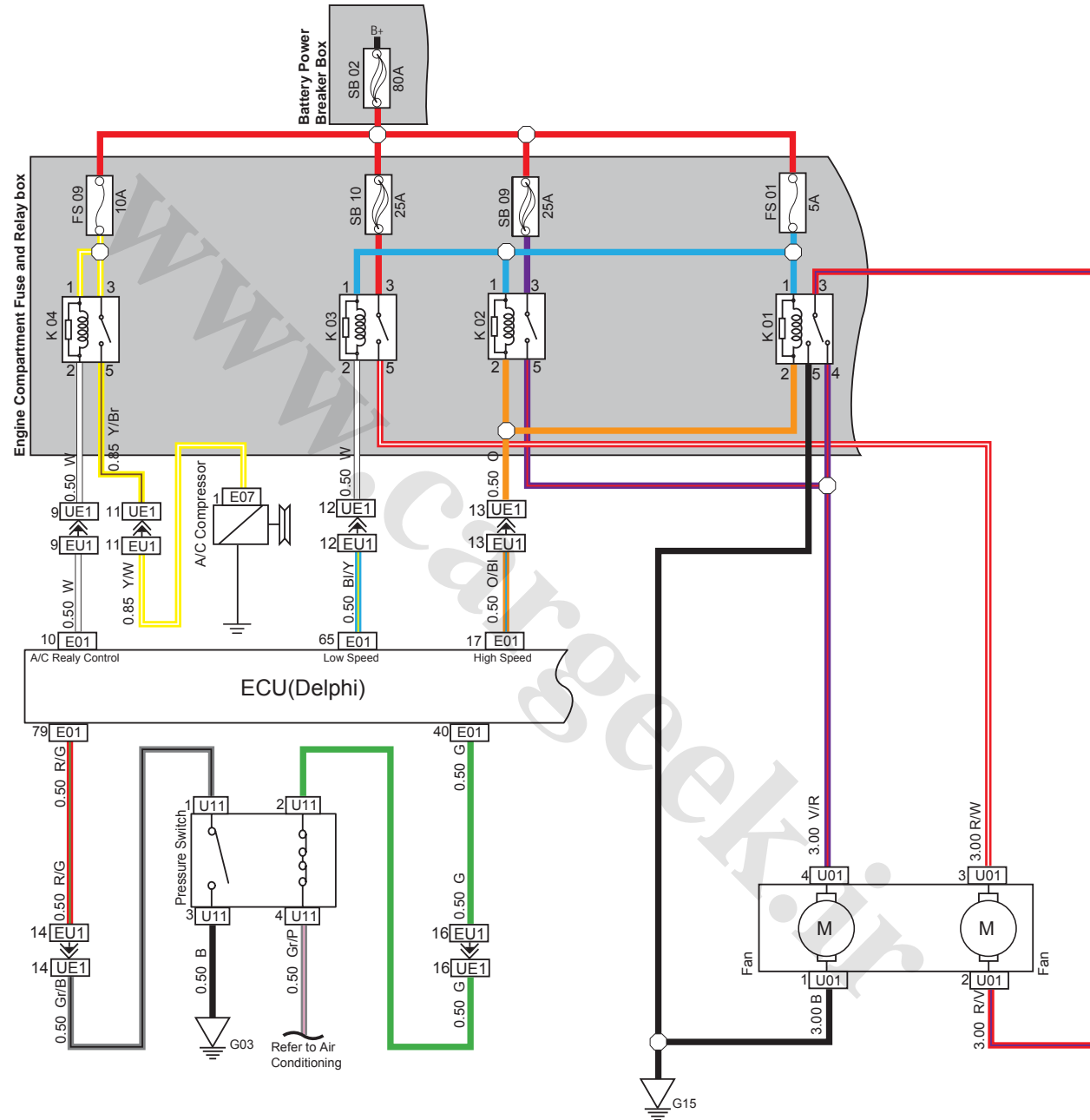


Electronic Control System(UE)

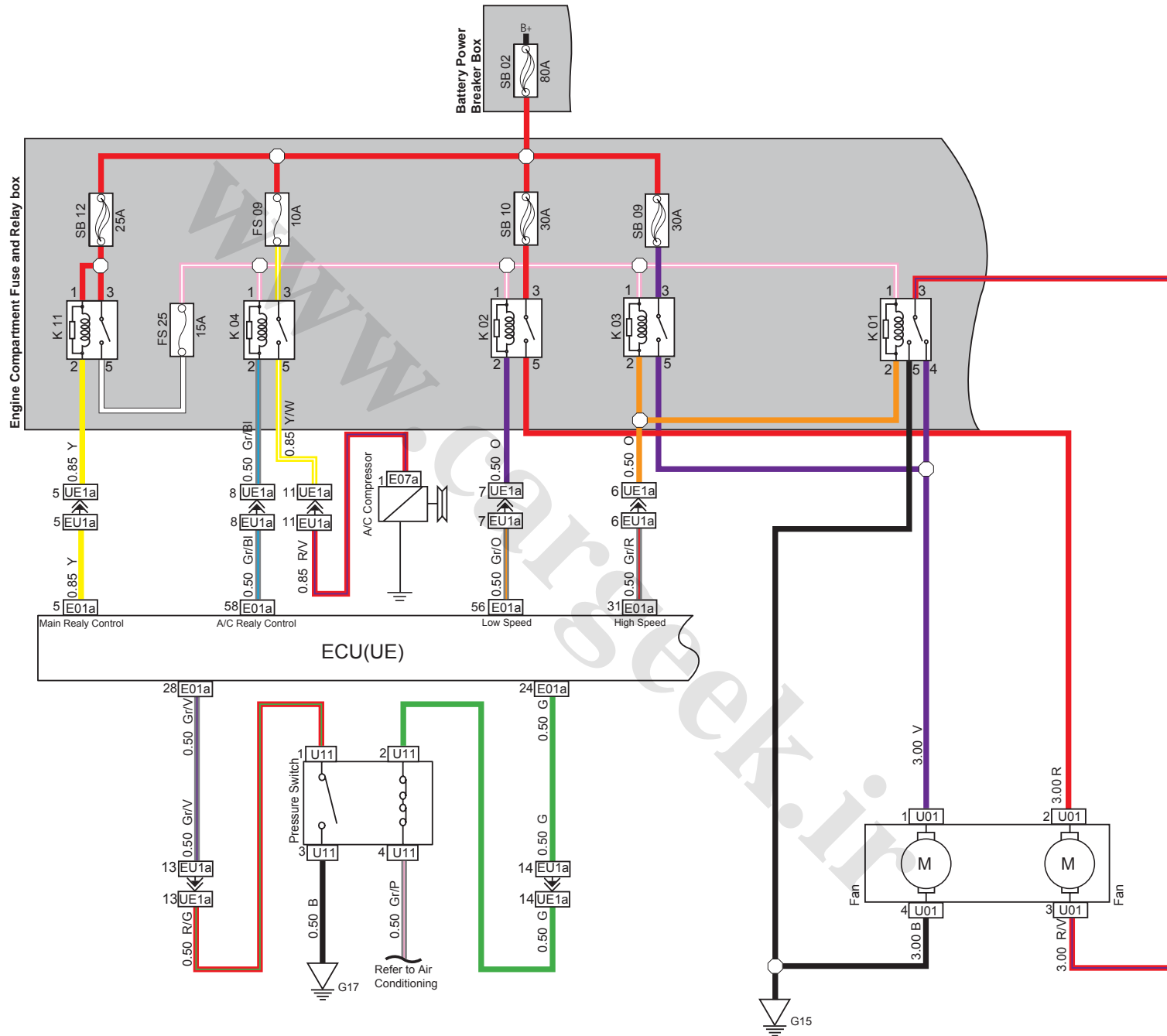


LIFAN X60

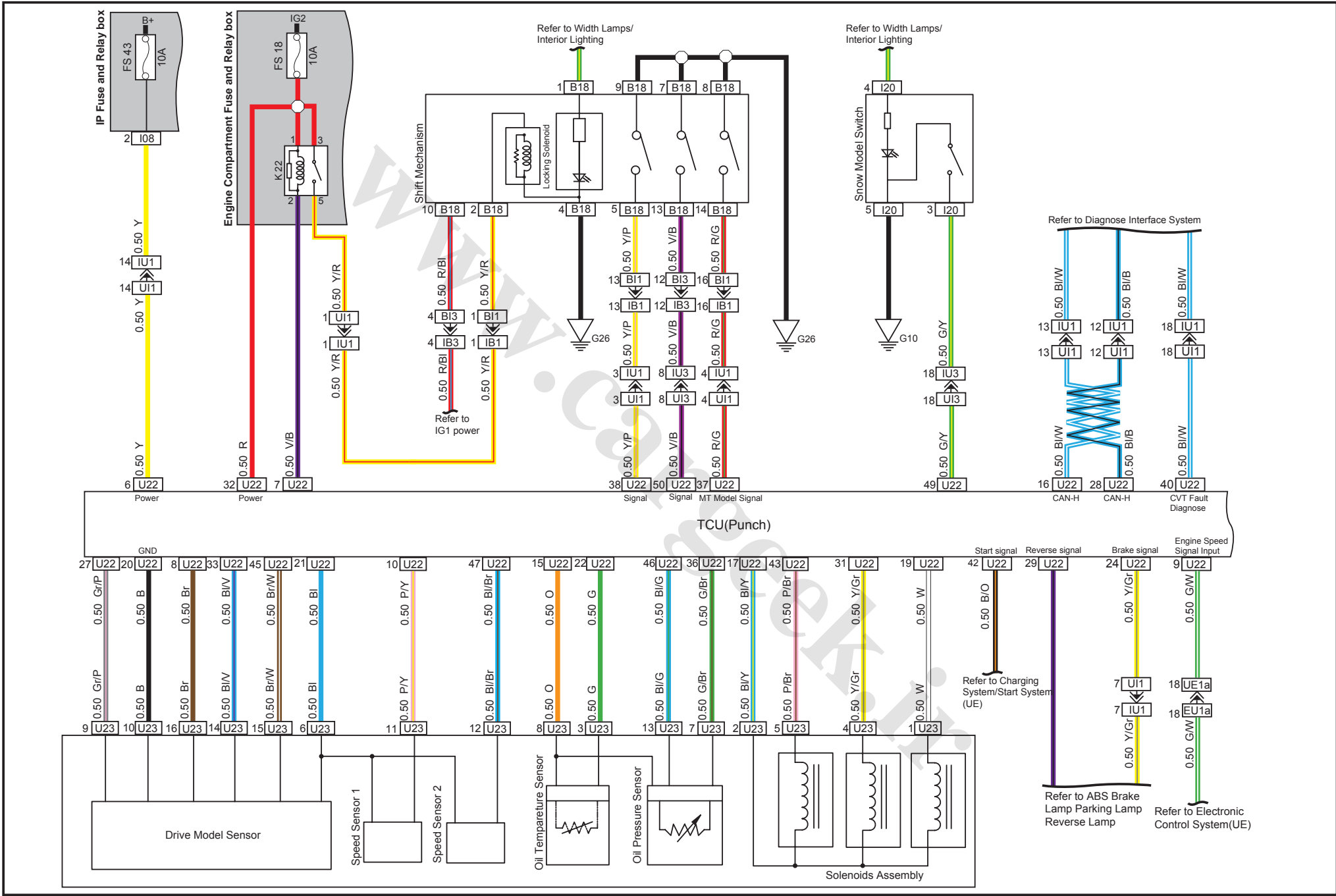
Cooling System / AC compressor(Delphi)



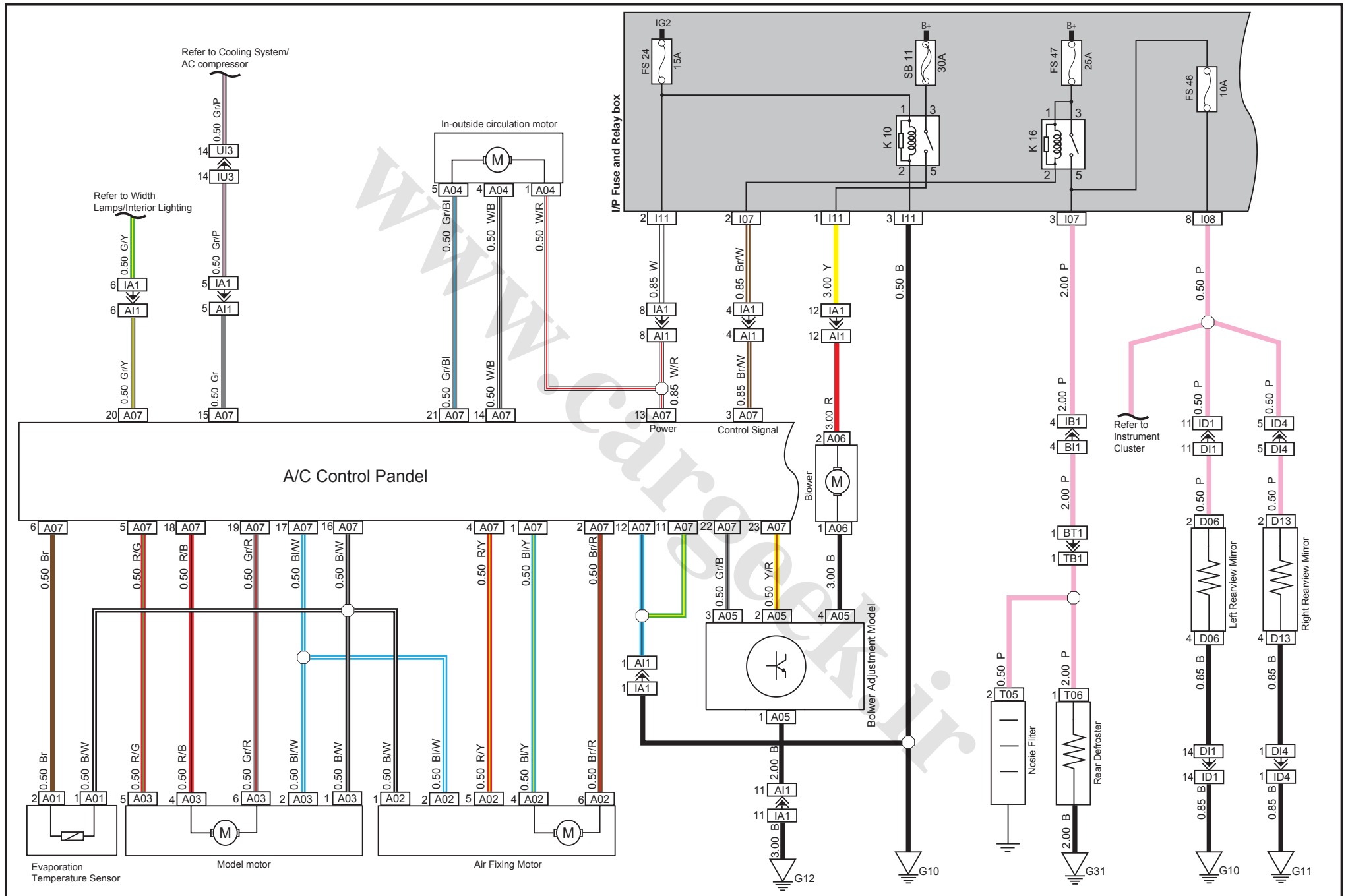
Cooling System / AC compressor(UE)



TCU System

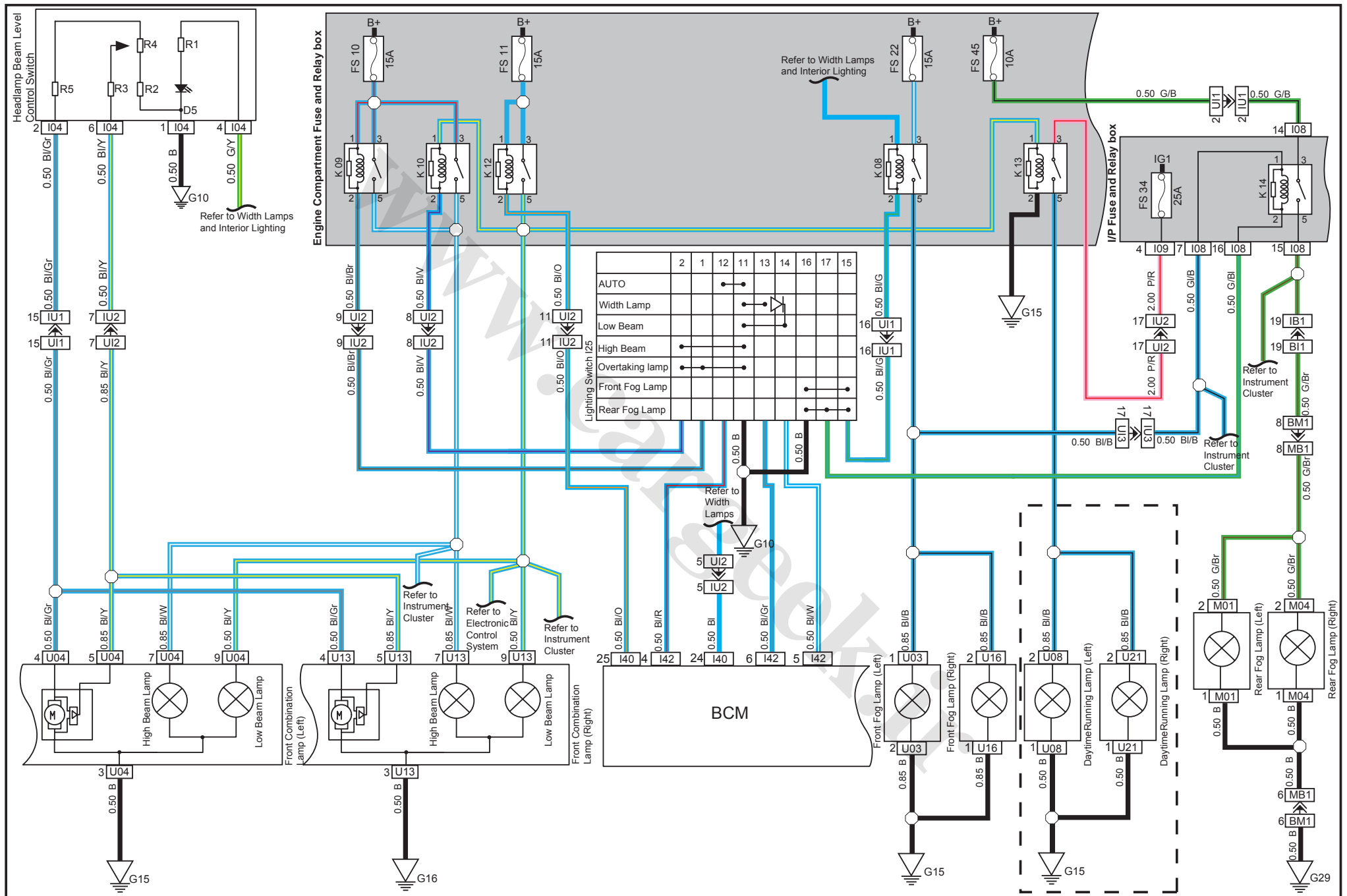


Air Conditioning / Rear Defroster / RearView Mirror Heating

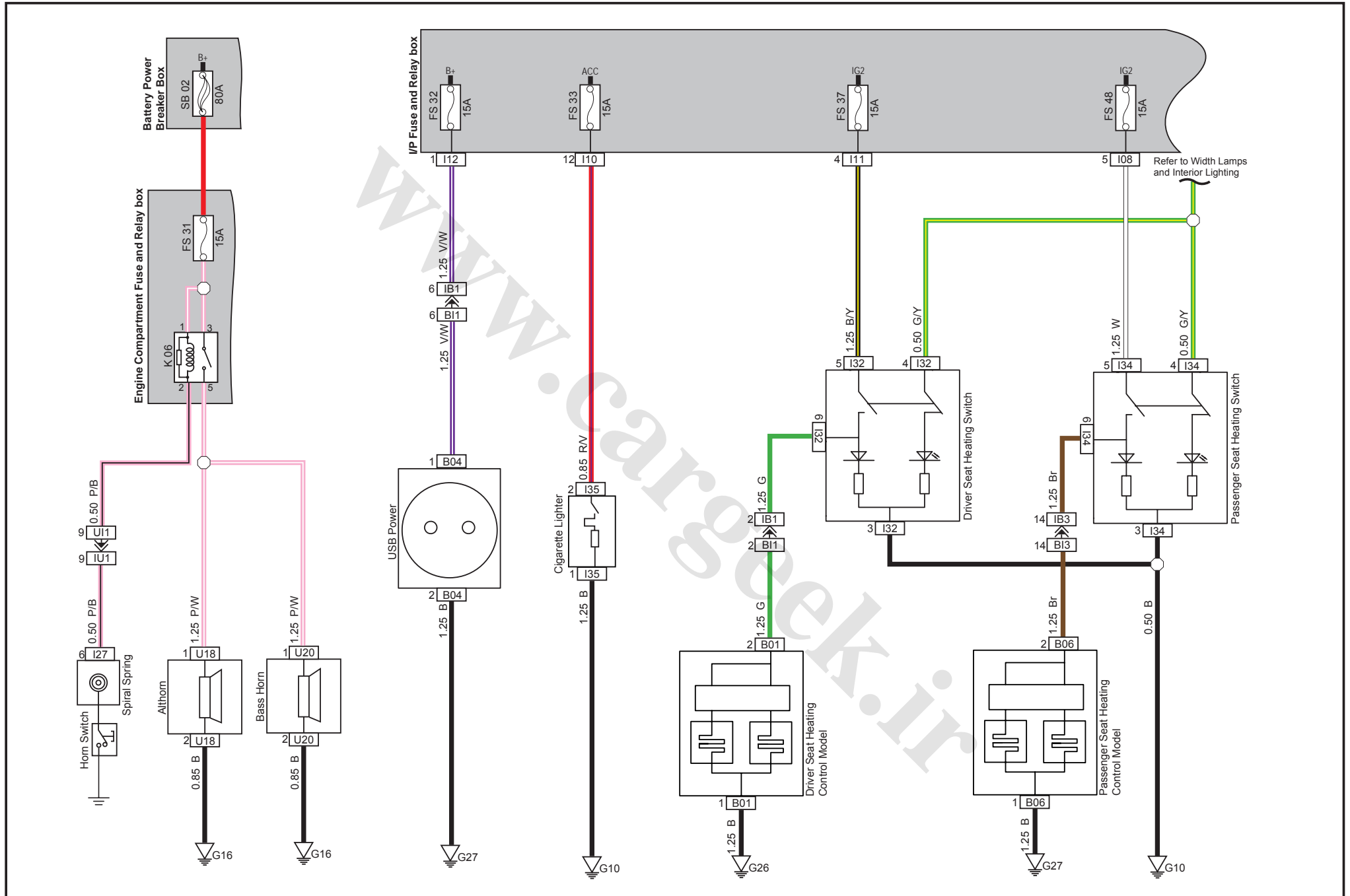


LIFAN X60

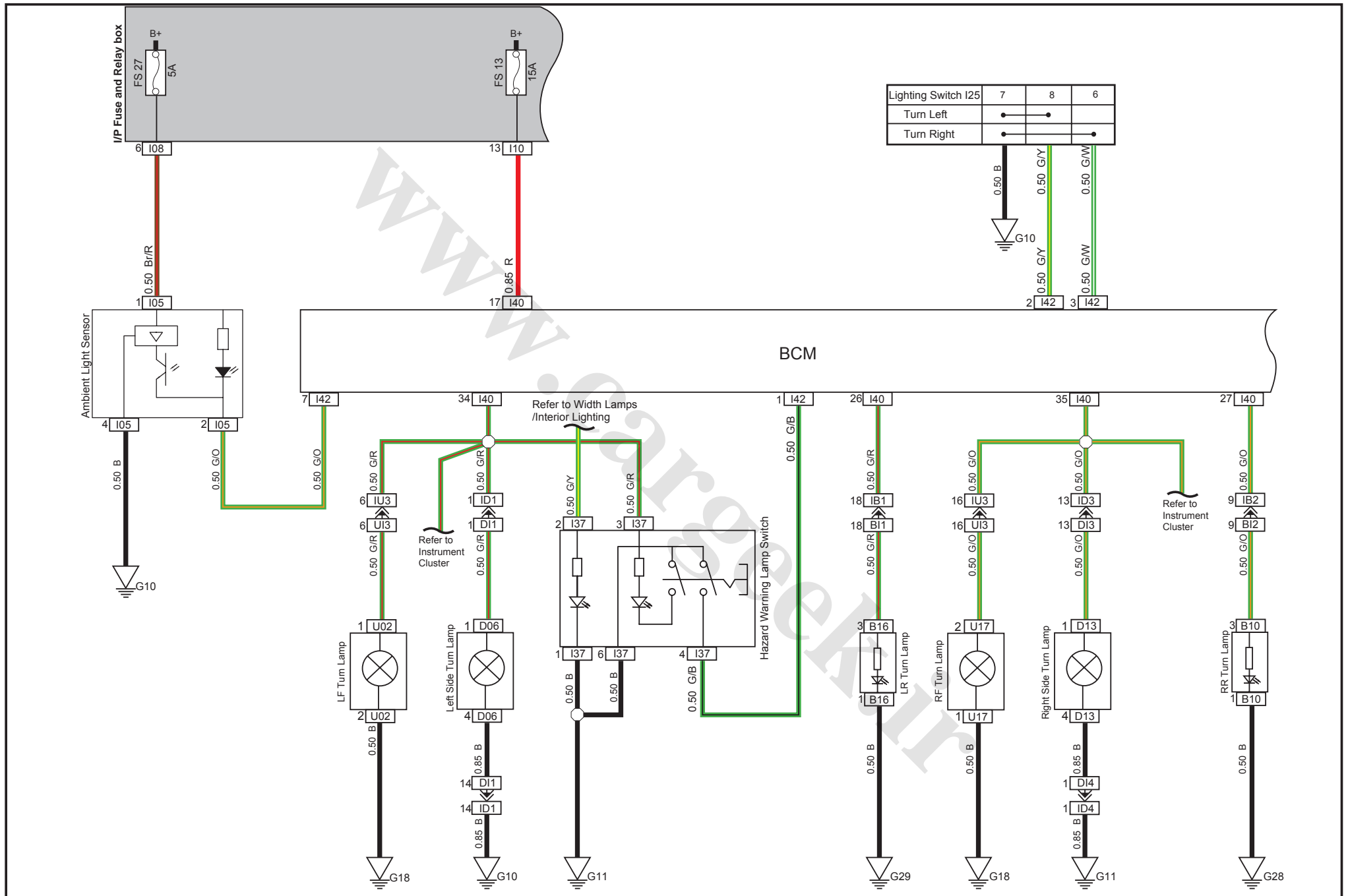
Headlamps / Daytime Running Lamp / Rear Fog Lamp



Cigarette Lighter / Horn / Seat Heating

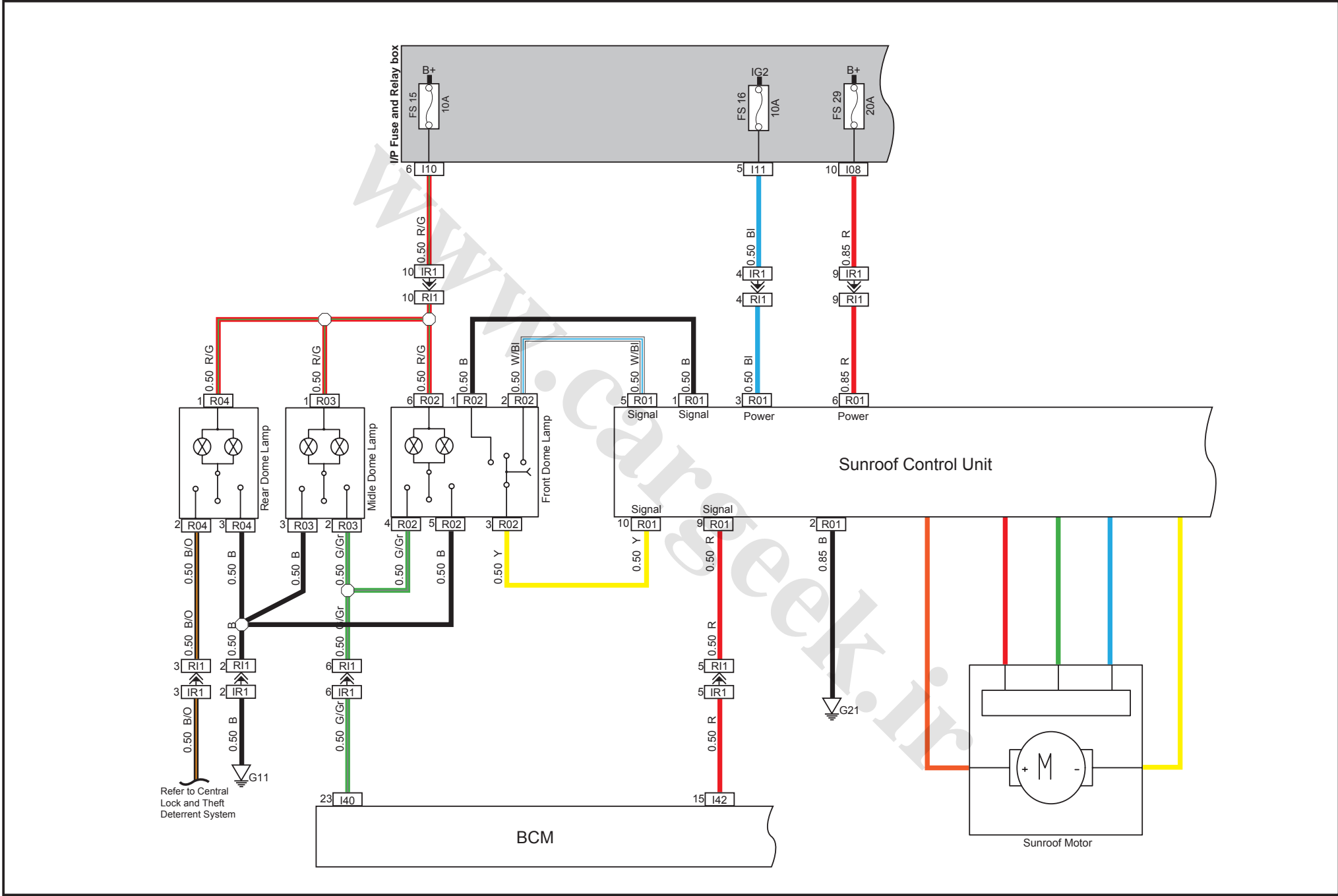


Left / Right Turn Lamp / Hazard Warning Lamp

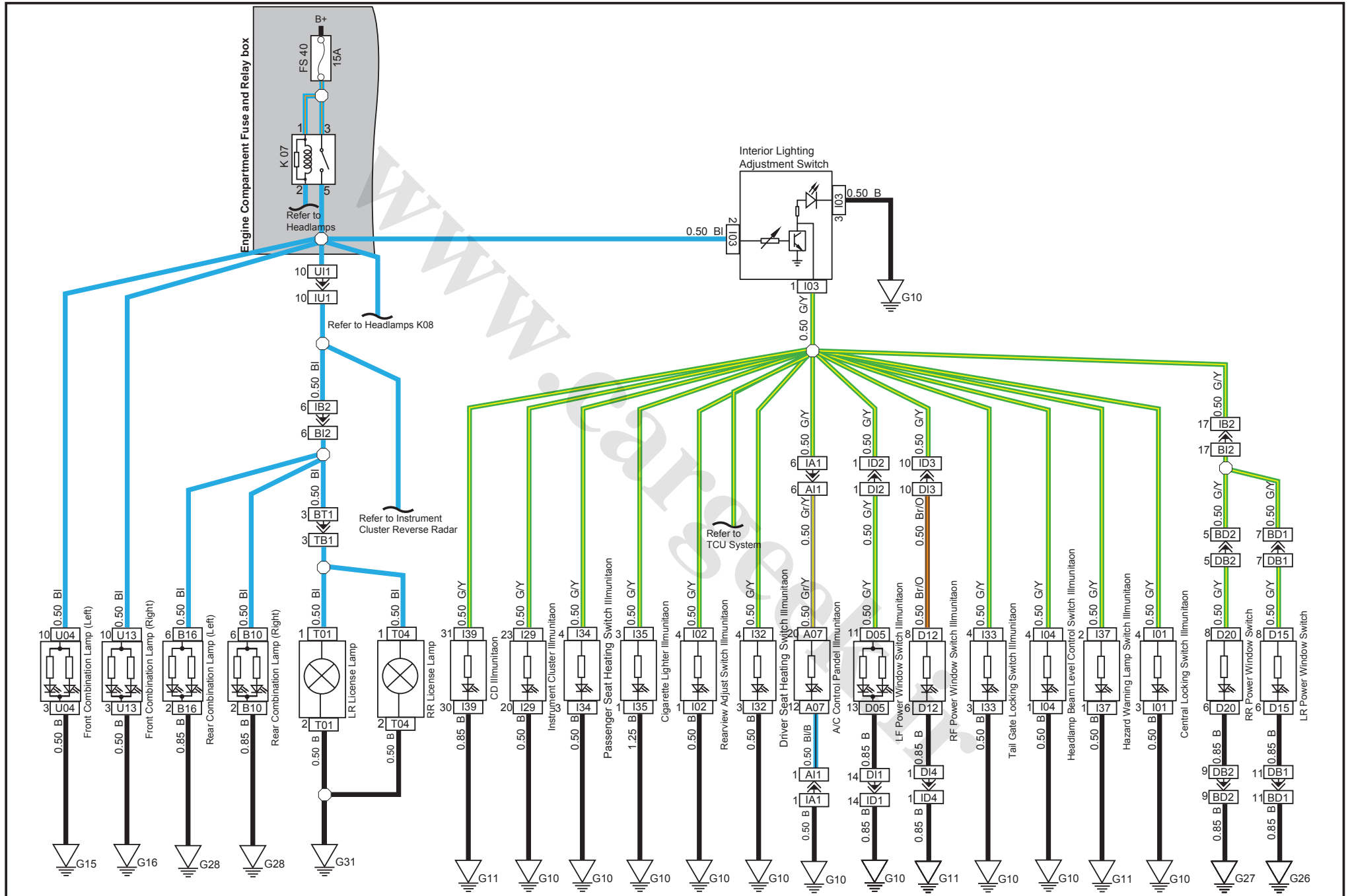


Lighting Switch I25	7	8	6
Turn Left	●	●	
Turn Right	●		●

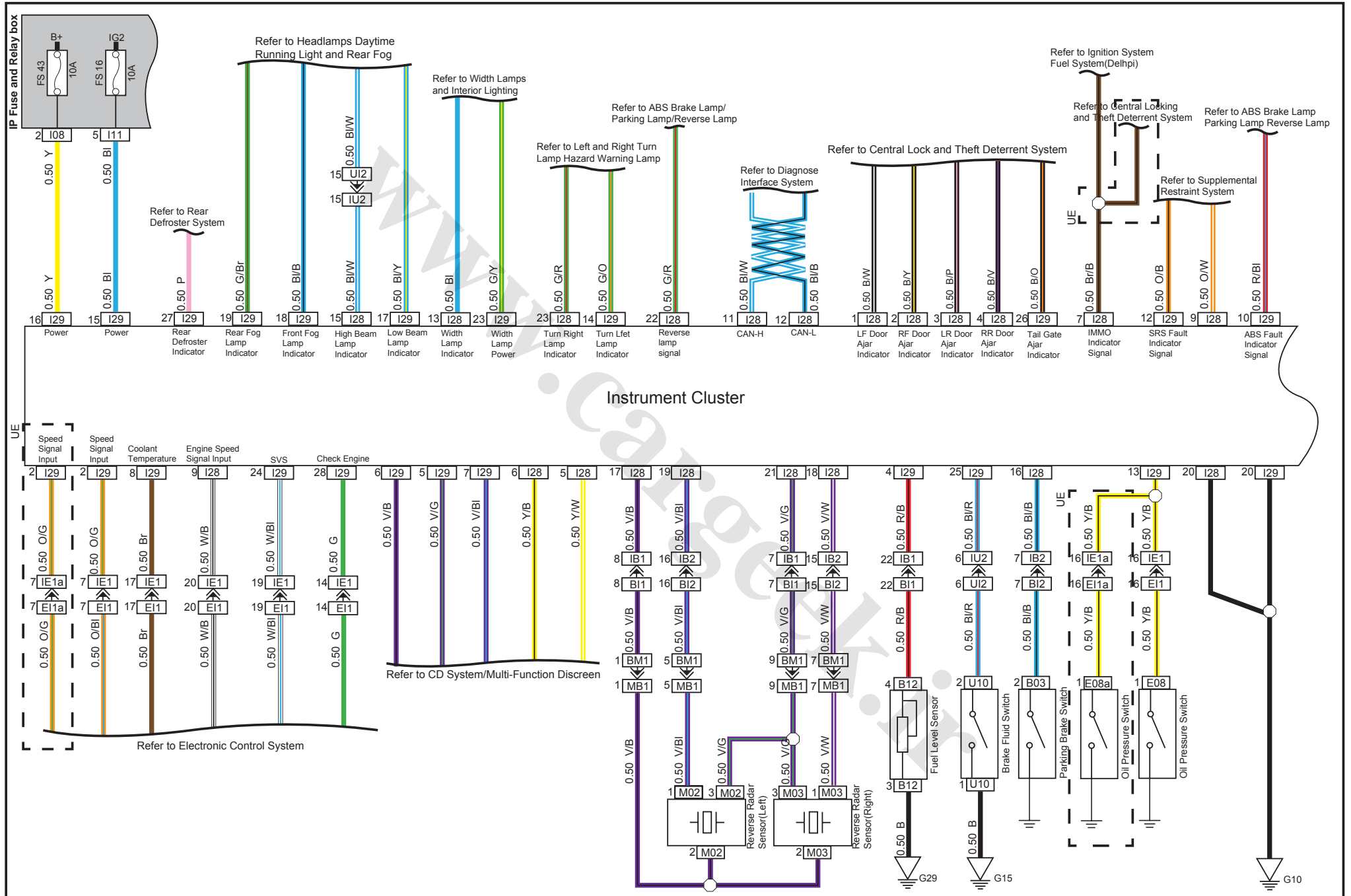
Dome Lamp / Trunk Lamp / Sunroof



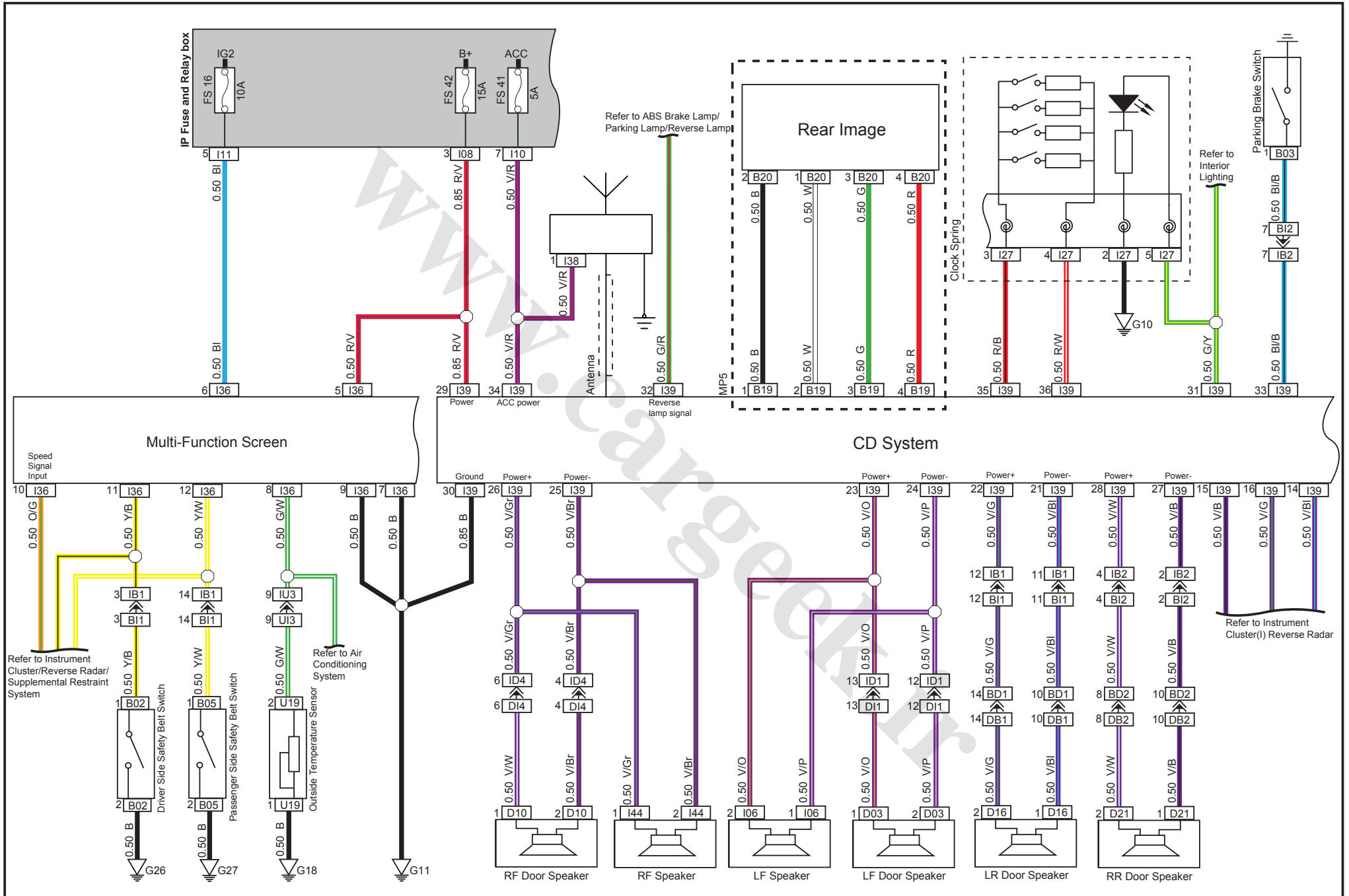
Width Lamps / Interior Lighting



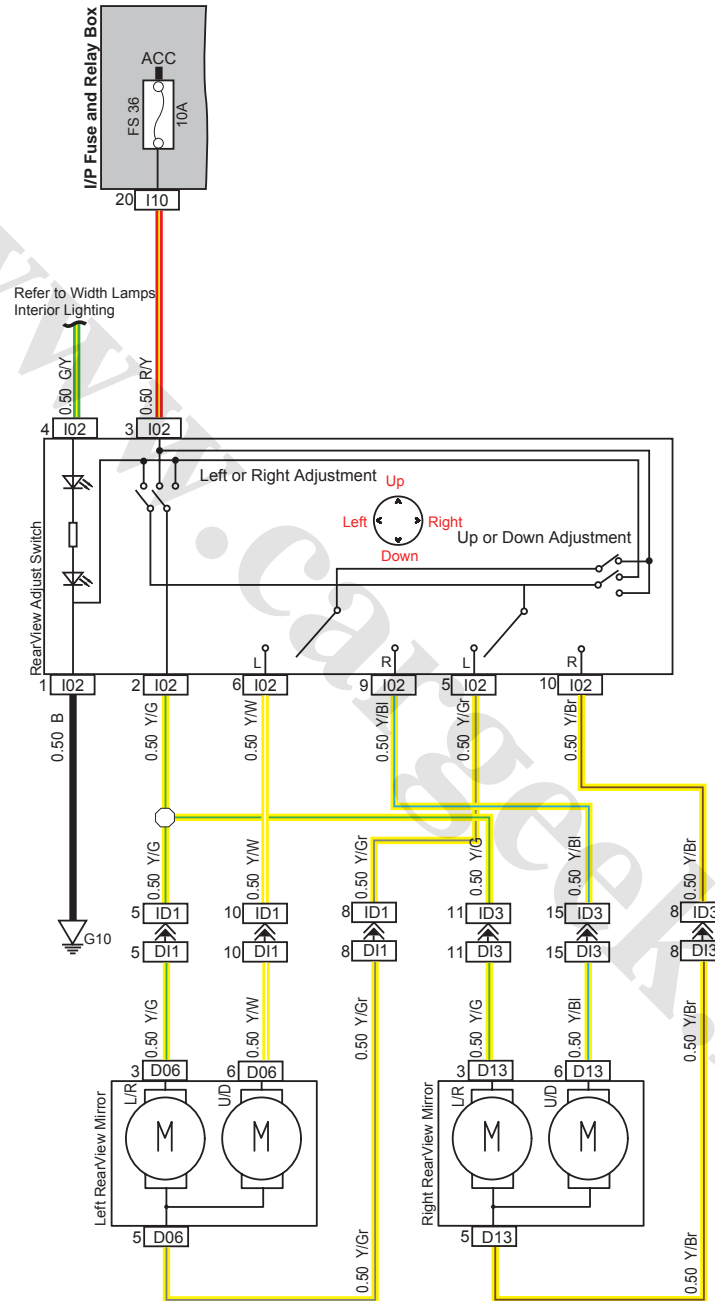
Instrument Cluster / Reverse Radar



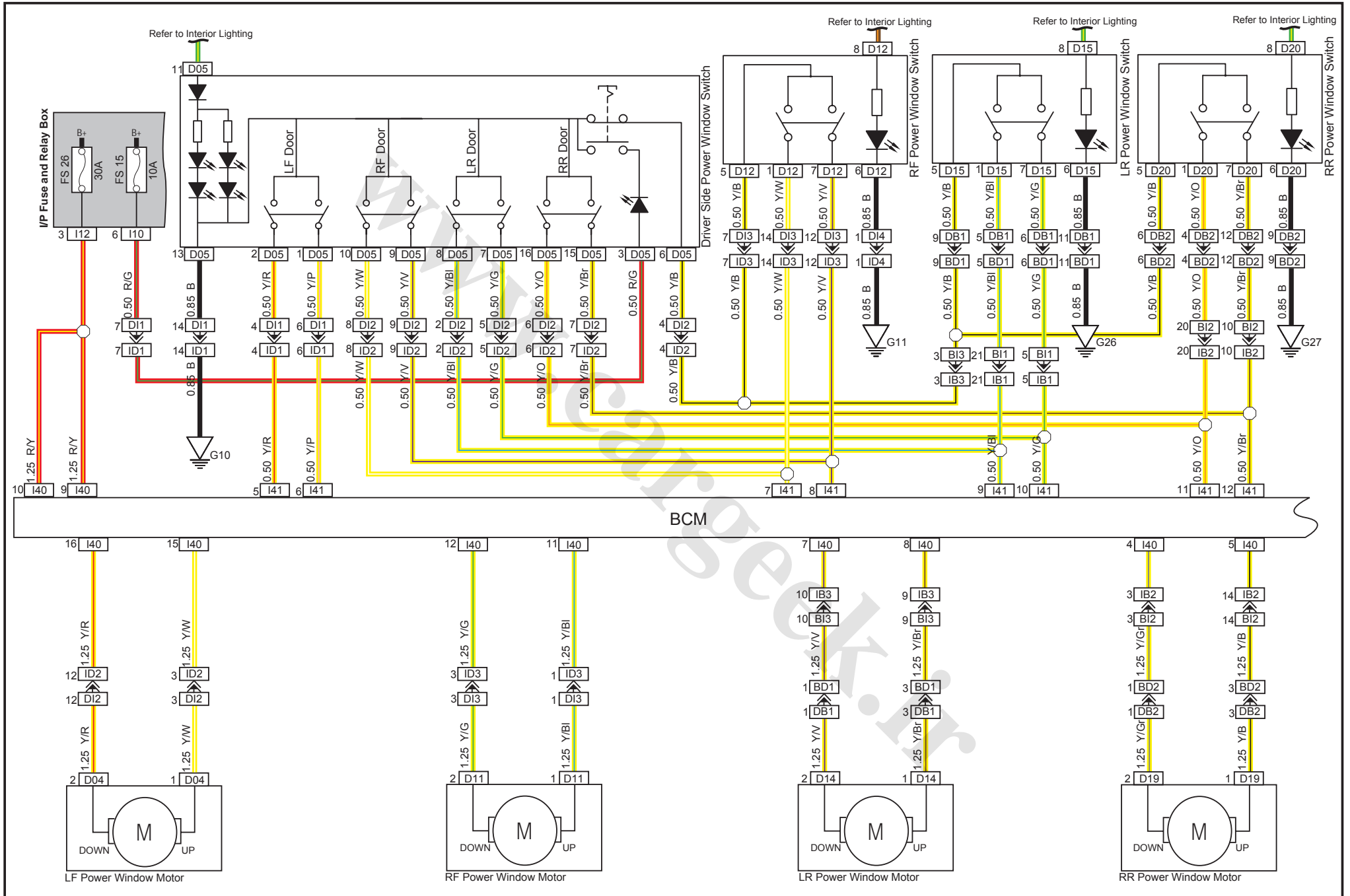
CD System / Multi-Function Discreen / MP5 System



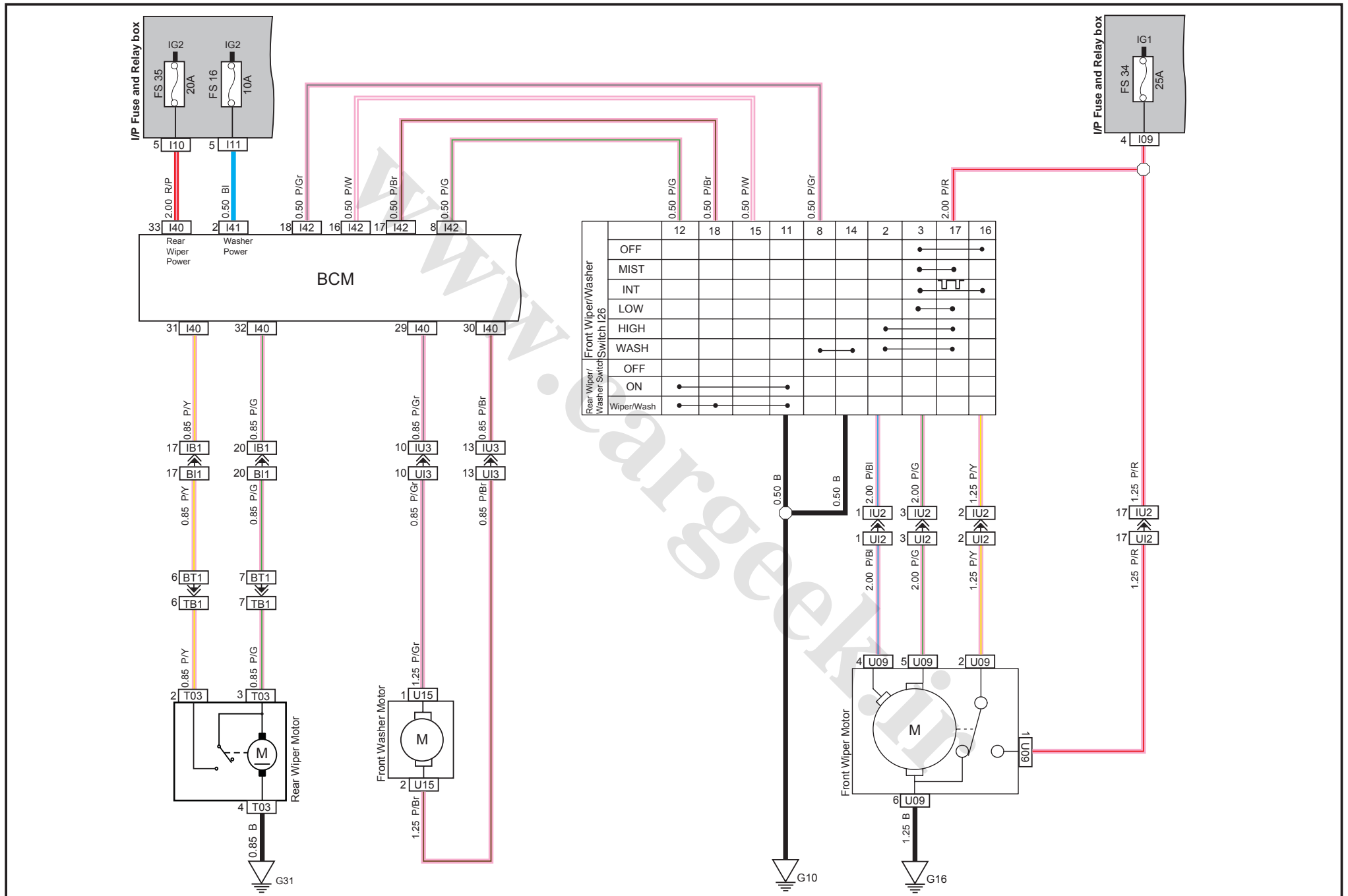
Power Rear View Mirror



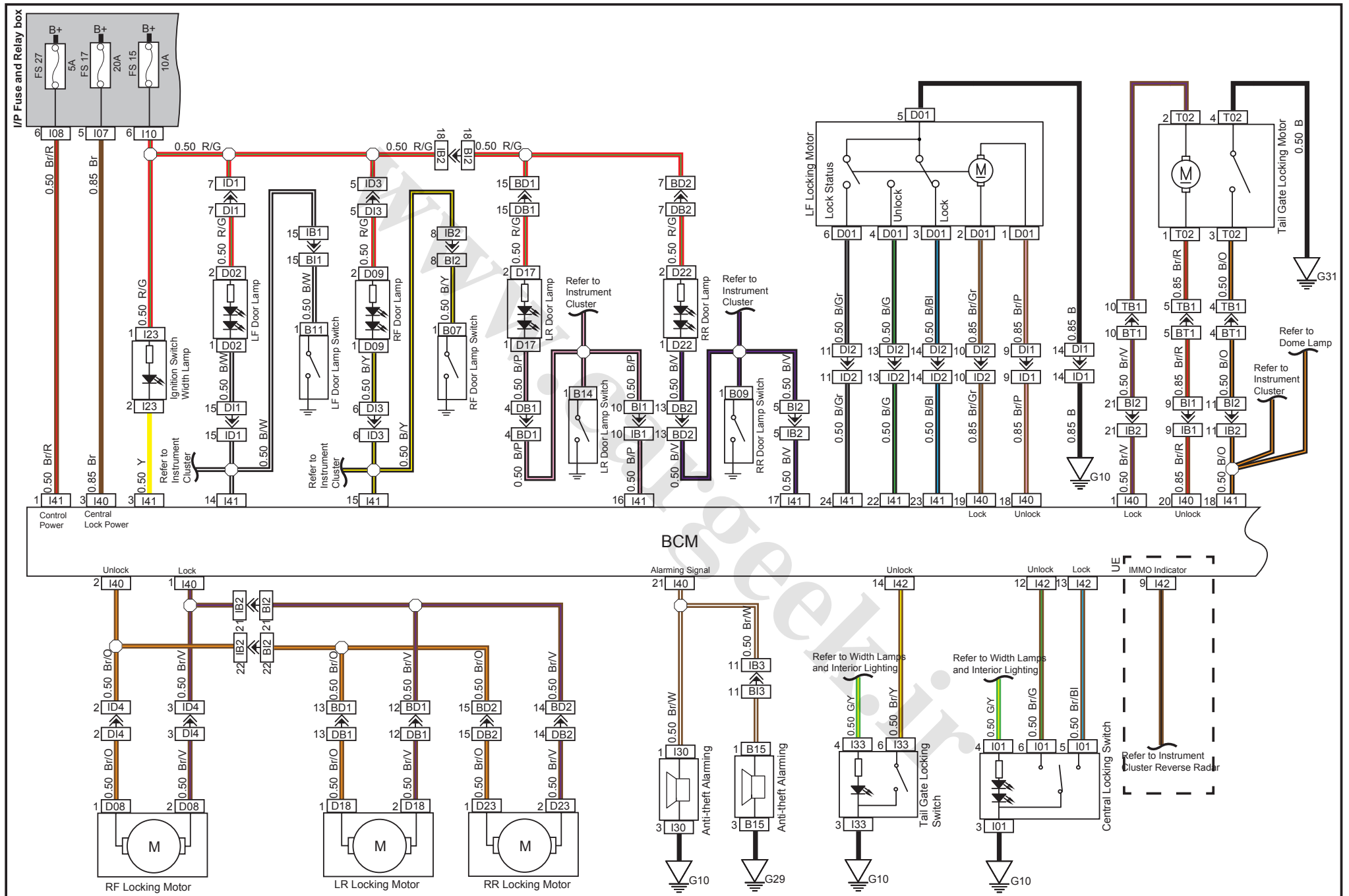
Power Window



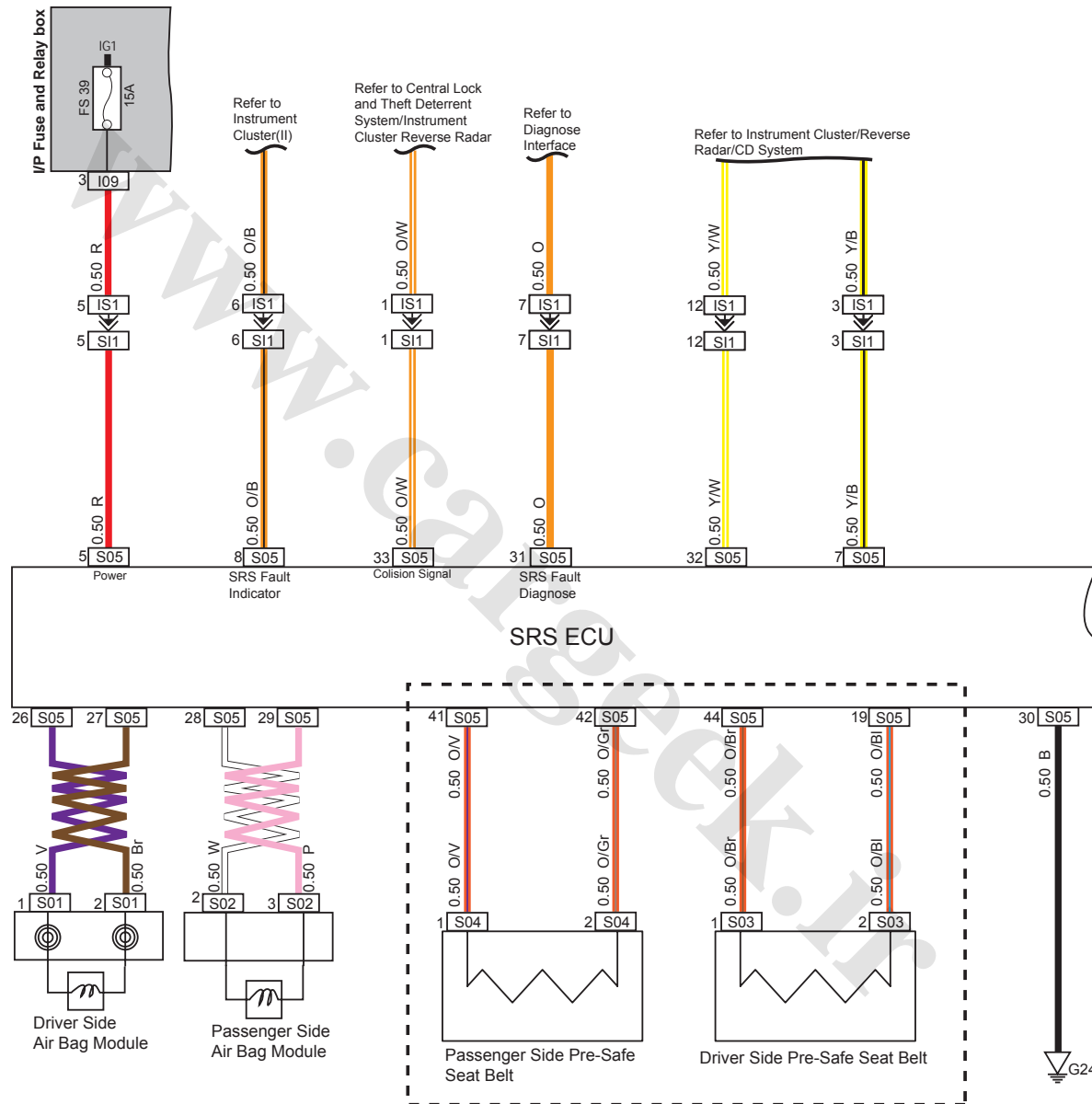
Wiper / Washer System



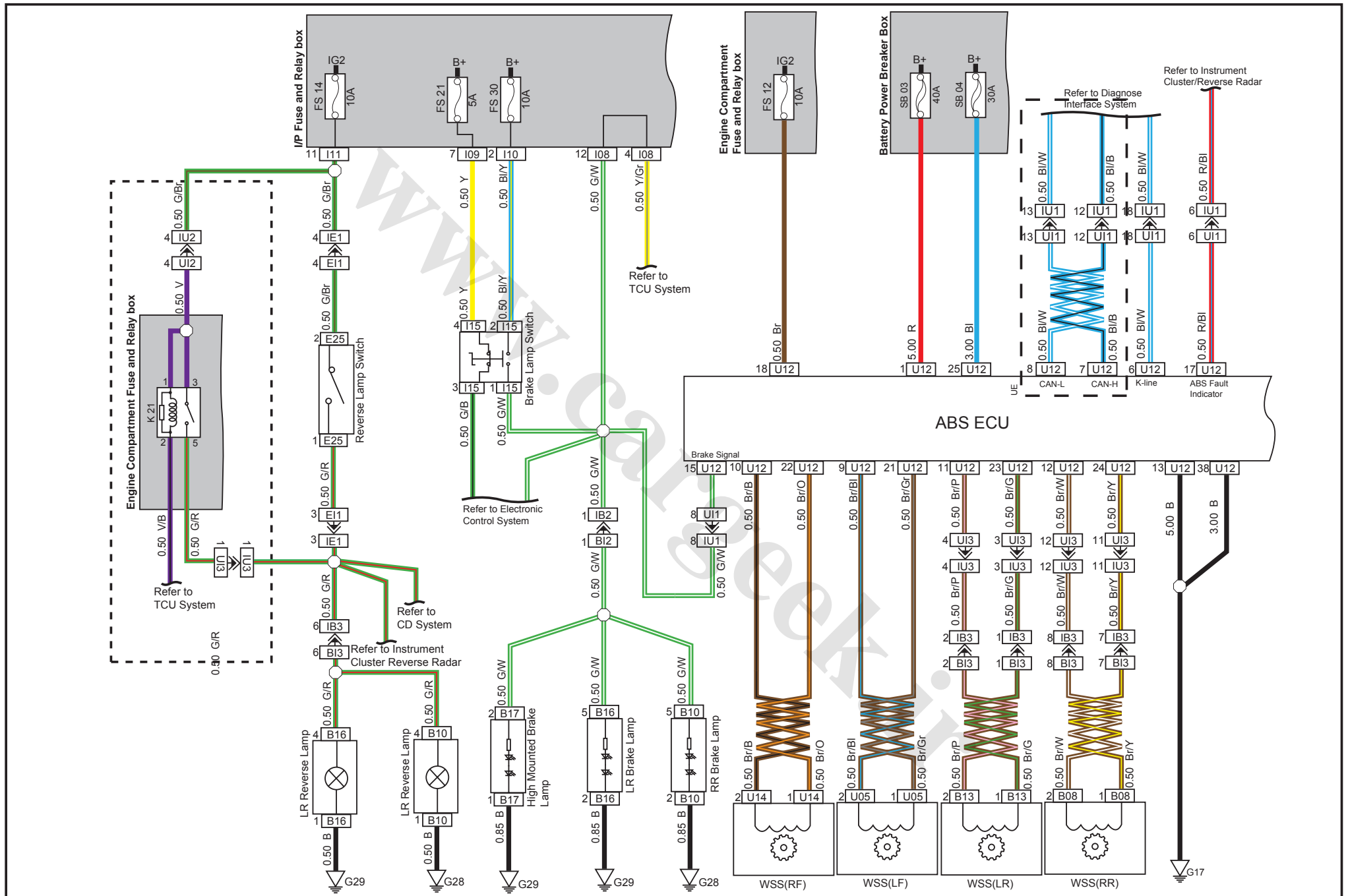
Central Locking / Theft Deterrent System



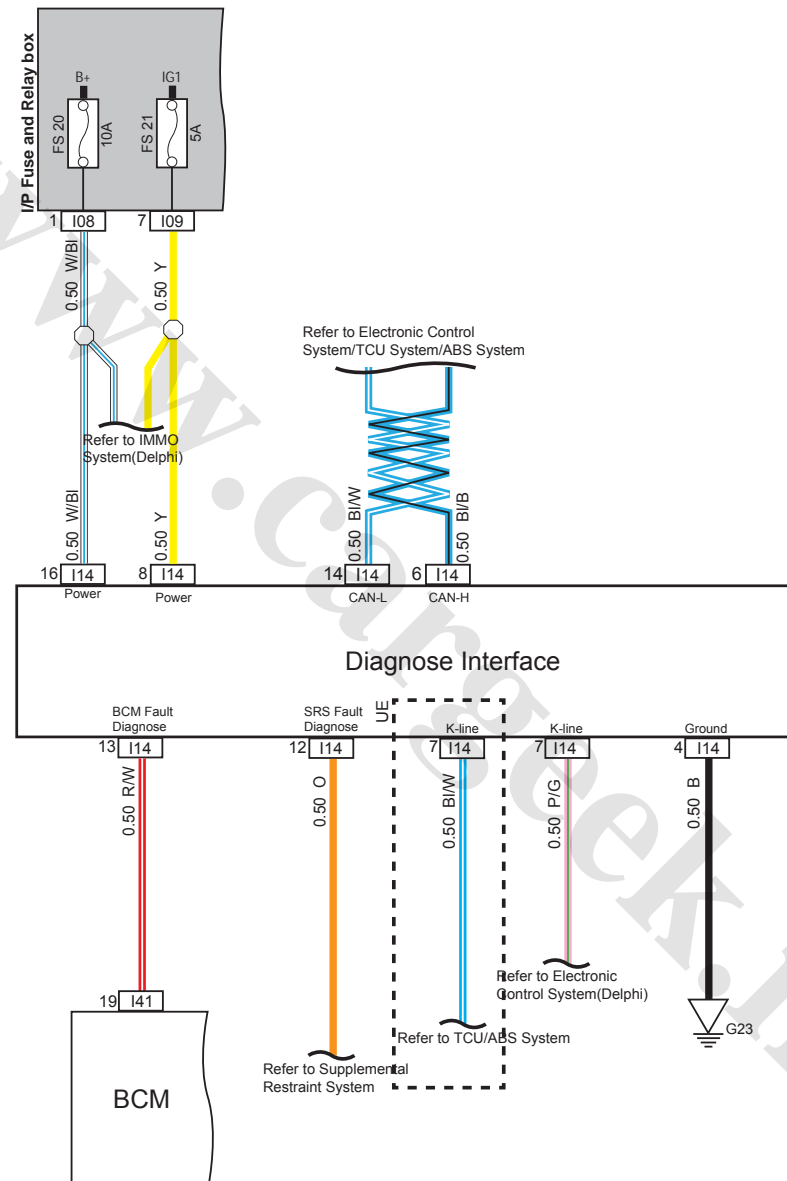
Supplemental Restraint System



ABS System / Brake Lamp / Parking Lamp / Reverse Lamp

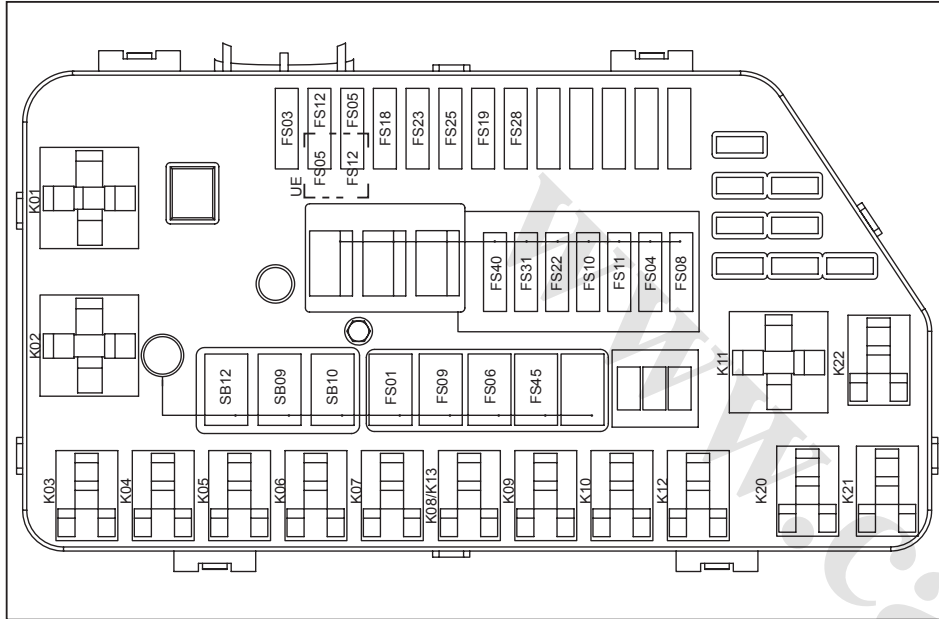


Diagnose Interface System



Engine Compartment Fuse and Relay Box

Engine Compartment Fuse and Relay Box



Fuse

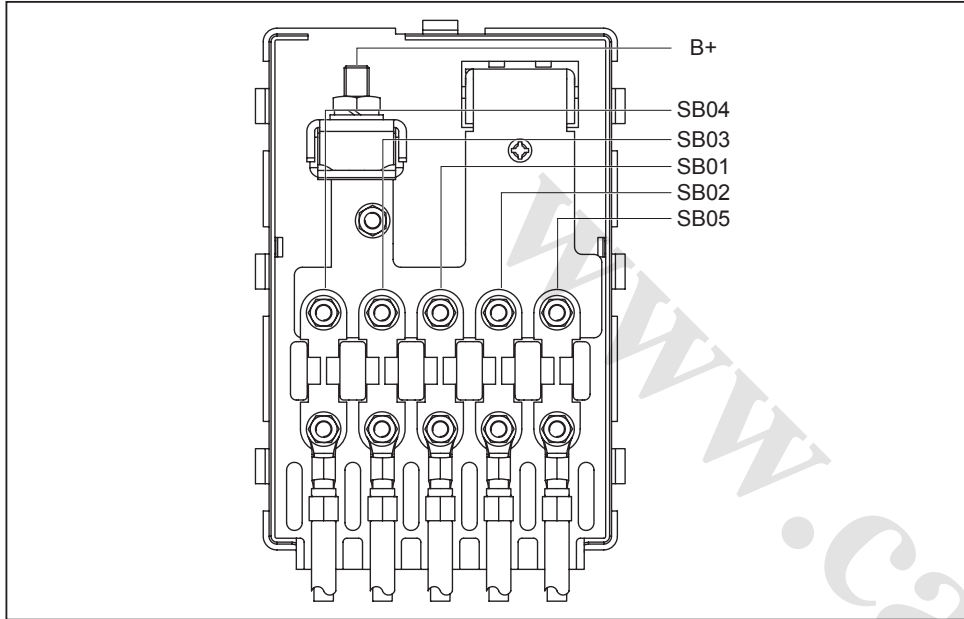
Code	Application	Rated Current (A)	Description
FS01	Fan Fuse	5A	
FS03	ECM Fuse	10A	
FS04	Main Relay Fuse	25A	
FS05	IG2 Power Fuse	25A	
FS06	Fuel Pump Fuse	15A	
FS08	TCU Fuse	15A	
FS09	AC Fuse	10A	
FS10	Overtaking/High Beam Lamp Fuse	15A	
FS11	Low Beam Lamp Fuse	15A	
FS12	IG2 Power Fuse	10A	
FS18	TCU Fuse	15A	
FS19	Front Oxygen Sensor Fuse	5A	
FS22	Front Fog Lamp Fuse	15A	
FS23	Ignition Coil Fuse	15A	
FS25	Injector/Fan Relay Fuse	15A	
FS28	Rear Oxygen Sensor Fuse	5A	
FS31	Horn Fuse	15A	
FS40	Width Lamp Fuse	15A	
FS45	Rear Fog Lamp Fuse	10A	
SB09	High Speed Fan Fuse	30A	
SB10	Low Speed Fan Fuse	30A	
SB12	Main Relay Fuse	25A	

Relay

Code	Application	Description
K01	Adjusting Speed Fan Relay	
K02	Low Speed Fan Relay	
K03	High Speed Fan Relay	
K04	AC Compressor Relay	
K05	Fuel Pump Relay	
K06	Horn Relay	
K07	Width Lamp Relay	
K08/K13	Front Fog/Daytime Running Lamp Relay	
K09	Overtaking Lamp Relay	
K10	High-beam Lamp Relay	
K11	Main Relay	
K12	Low-beam Lamp Relay	
K20	Stator Relay	
K21	Reverse Lamp Relay	
K22	Shift Lock Relay	

Battery Power Breaker Box

Battery Power Breaker Box

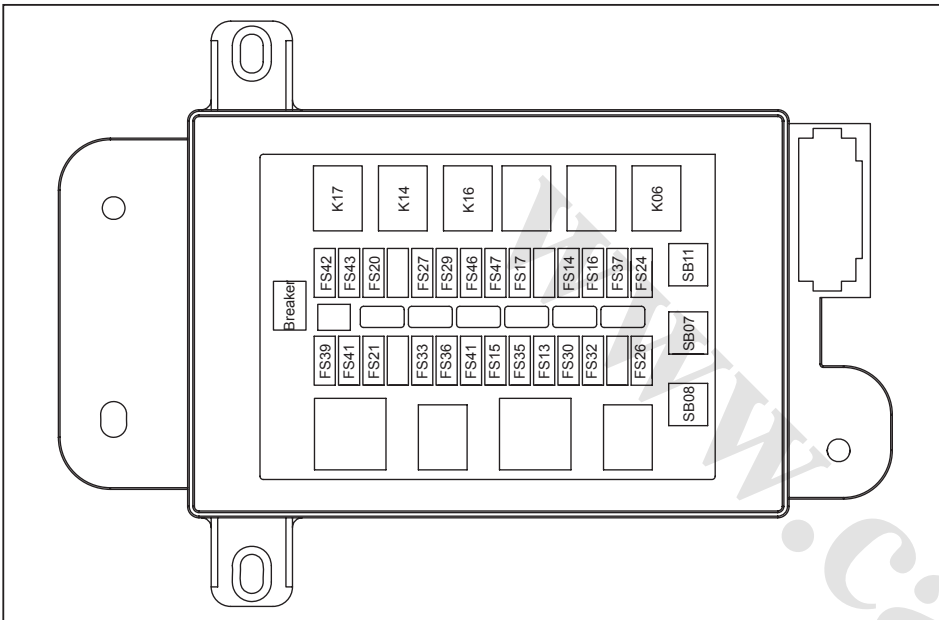


Fuse

Code	Application	Rated Current (A)	Description
SB01	Engine Compartment Fuse and Relay Fuse	60A	
SB02	Engine Compartment Fuse and Relay Fuse	80A	
SB03	ABS ECU Fuse	30A	
SB04	ABS ECU Fuse	40A	
SB05	IP Fuse and Relay	110A	

IP Fuse and Relay Box

IP Fuse and Relay Box



Fuse

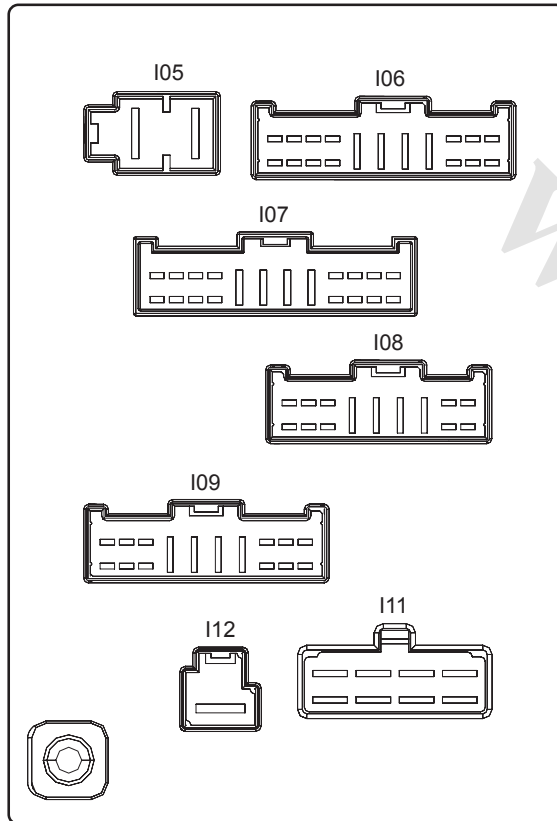
Code	Application	Rated Current (A)	Description
FS13	Turn Lamp Fuse	15A	
FS14	Reverse Lamp Fuse	10A	
FS15	Dome Lamp Fuse	10A	
FS16	Multi-Function Discreen Fuse	10A	
FS17	Central Control Locking Fuse	20A	
FS20	IMMO Fuse	10A	
FS21	IMMO Fuse	5A	
FS24	A/C Fuse	15A	
FS26	Power Window Fuse	30A	
FS27	BCM Fuse	5A	
FS29	Sunroof Fuse	20A	
FS30	Brake Lamp Fuse	10A	
FS32	USB Power Fuse	15A	
FS33	Cigarette Lighter Fuse	15A	
FS34	Front Wiper Fuse	25A	
FS35	Rear Wiper Fuse	20A	
FS36	Power Rearview Mirror Fuse	10A	
FS37	Seat Heating Fuse	15A	
FS38	Seat Heating Fuse	15A	
FS39	SRS Fuse	15A	
FS41	CD Fuse	5A	
FS42	CD Fuse	15A	
FS43	Instrument Cluster Fuse	10A	
FS46	Power Rearview Mirror Defroster Fuse	10A	
FS47	Rear Defroster Fuse	25A	
FS48	Seat Heating Fuse	15A	
SB07	Battery Power Fuse	40A	
SB08	Battery Power Fuse	40A	
SB11	Blower Fuse	30A	

Relay

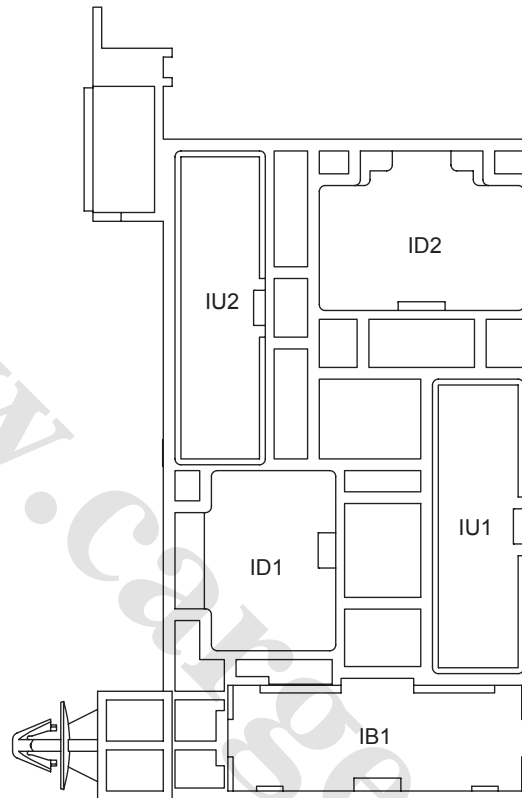
Code	Application	Description
K10	Blower Relay	
K14	Rear Fog Lamp Relay	
K16	Rear Defroster Relay	
K17	Brake Lamp Relay	CVT

IP Fuse and Relay Box

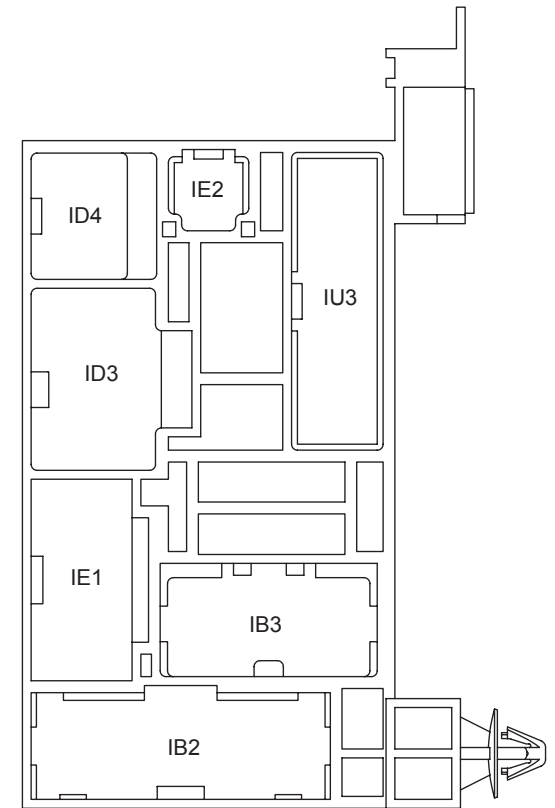
I/P Fuse and Relay Box Back View



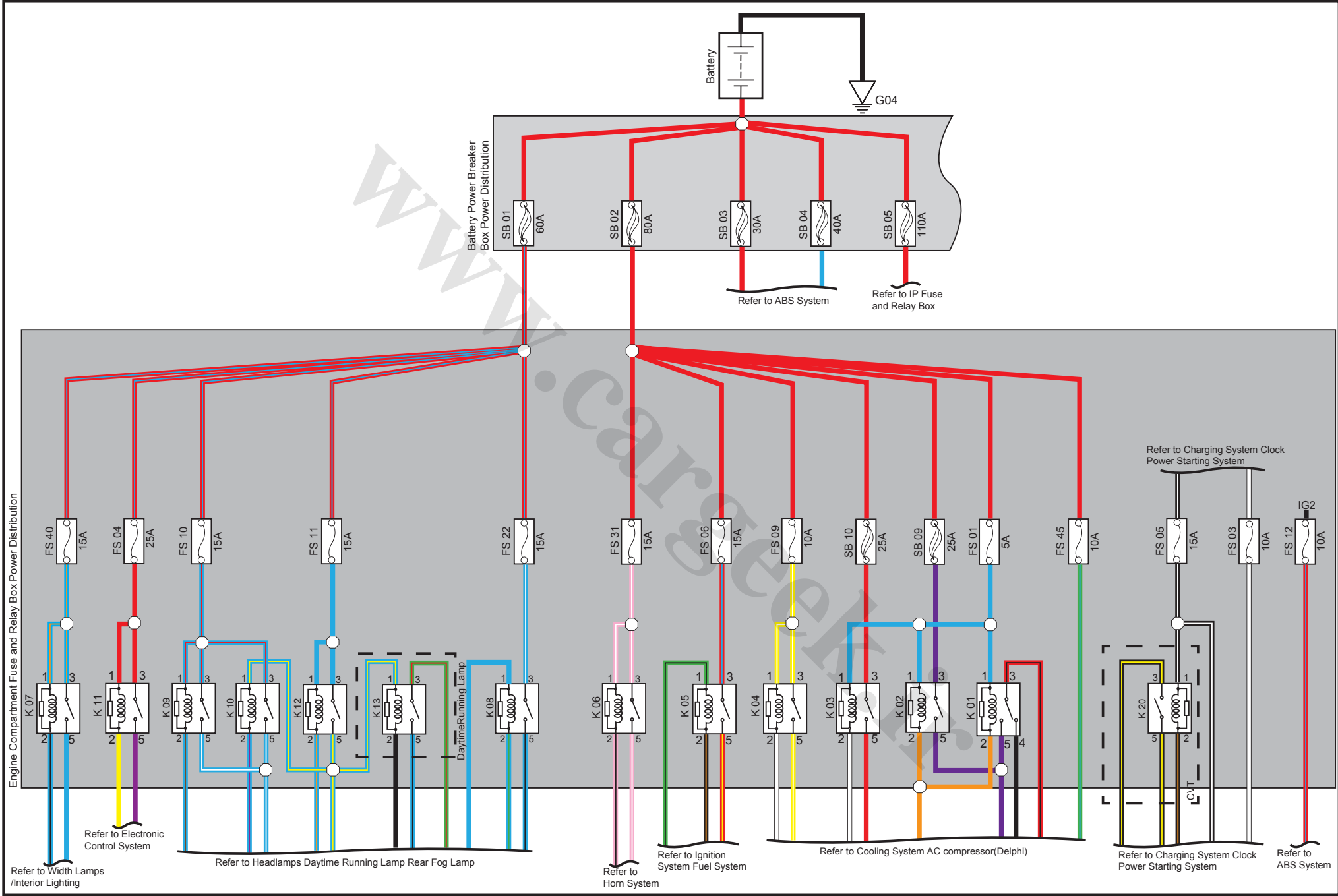
I/P Harness Connector Back View(Driver Side)



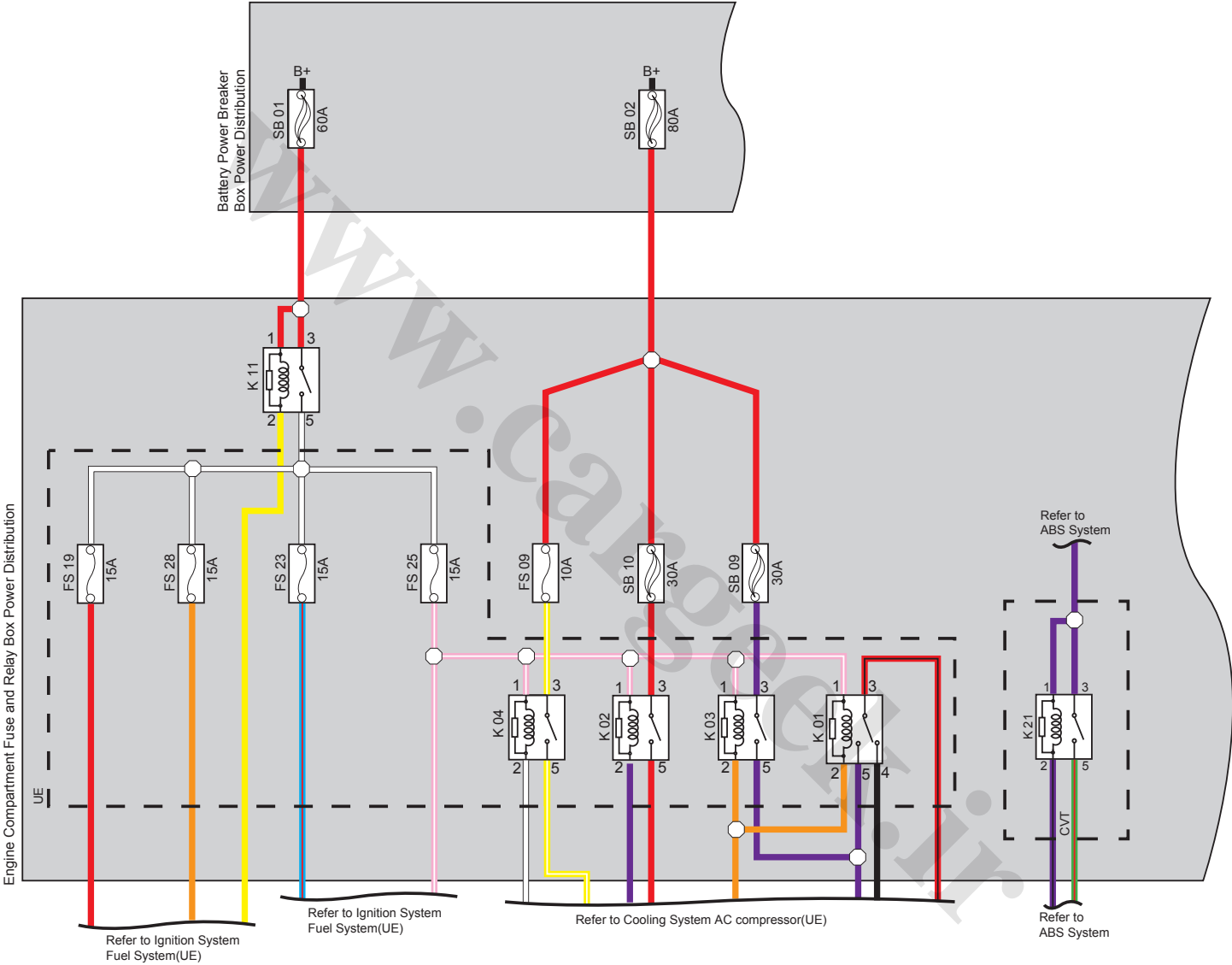
I/P Harness Connector Back View(Passenger Side)



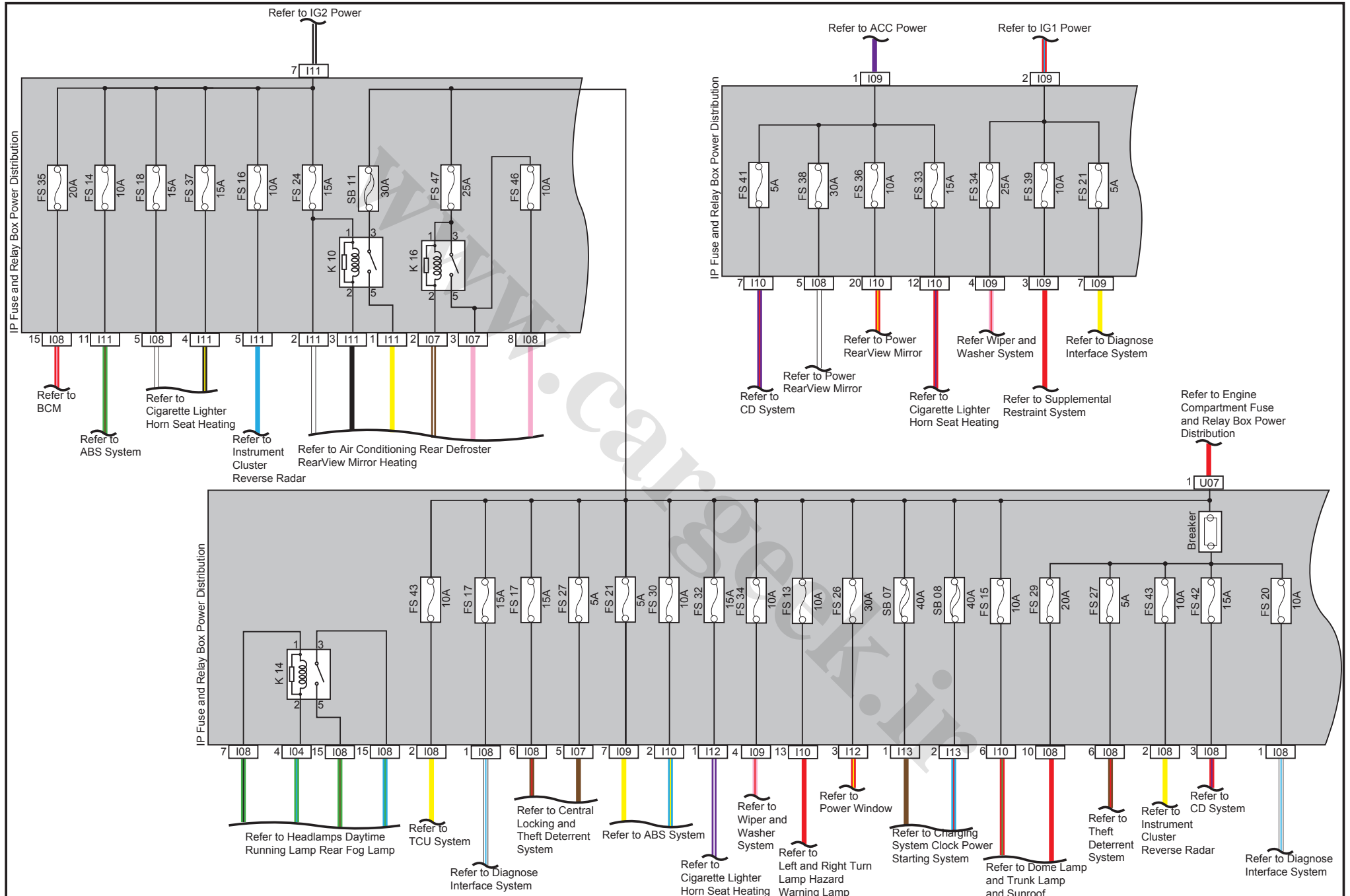
Engine Compartment Fuse and Relay Box Power Distribution



Engine Compartment Fuse and Relay Box Power Distribution

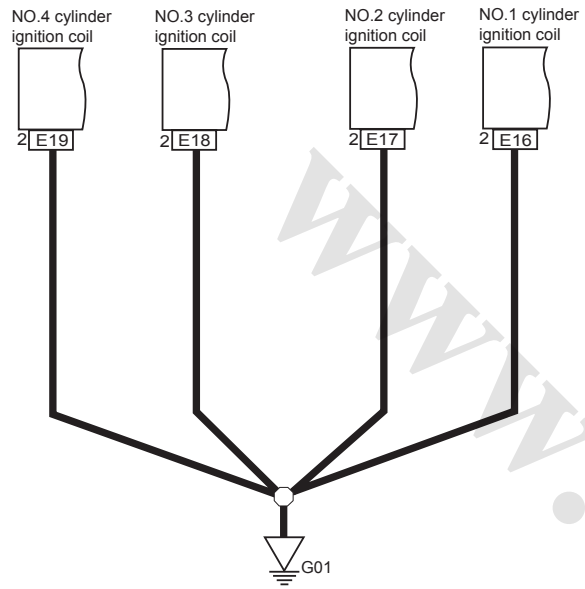


IP Fuse and Relay Box Power Distribution

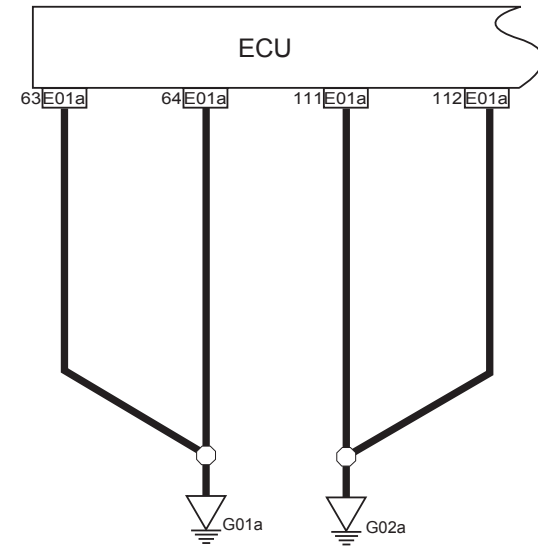


Ground Distribution G01-G02-G01a-G02a-G03a-G04

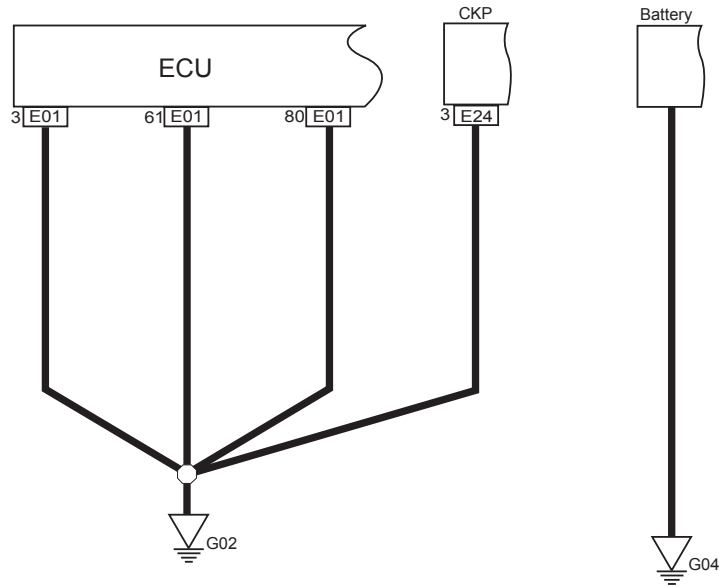
G01



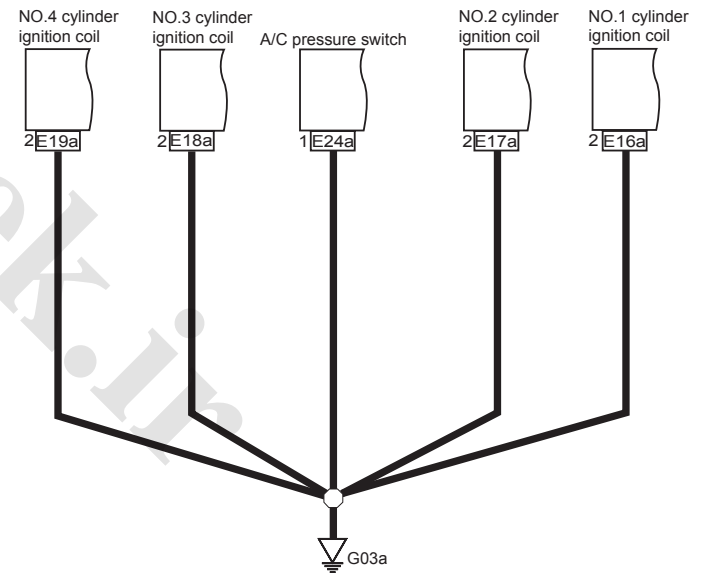
G01a/G02a



G02/G04

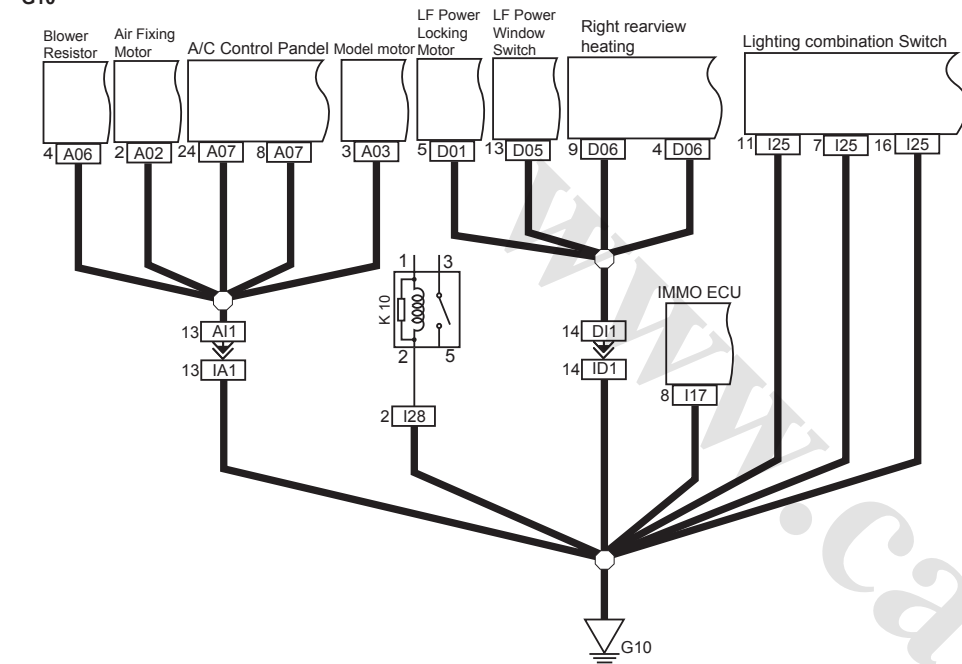


G03a

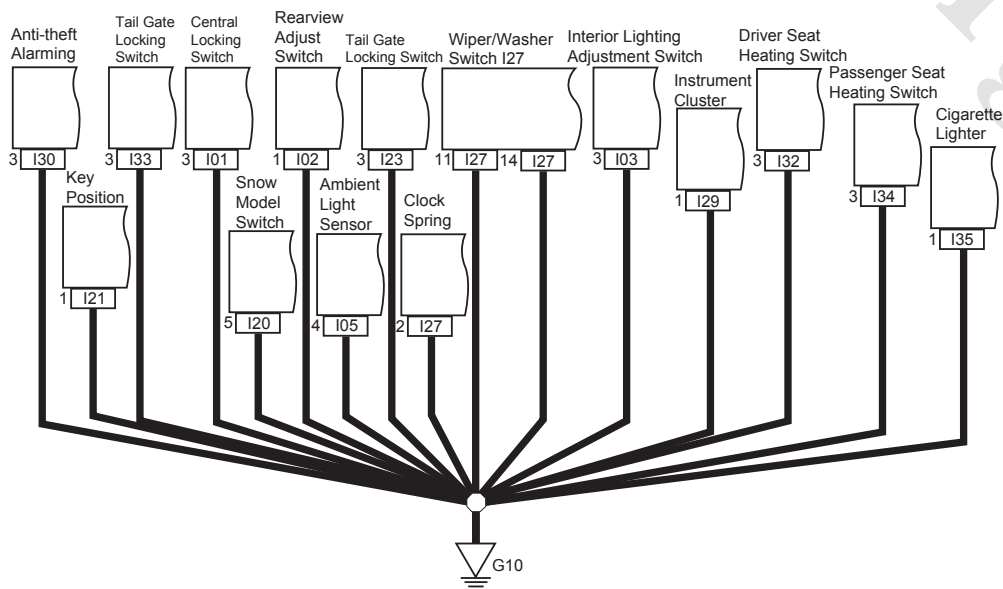
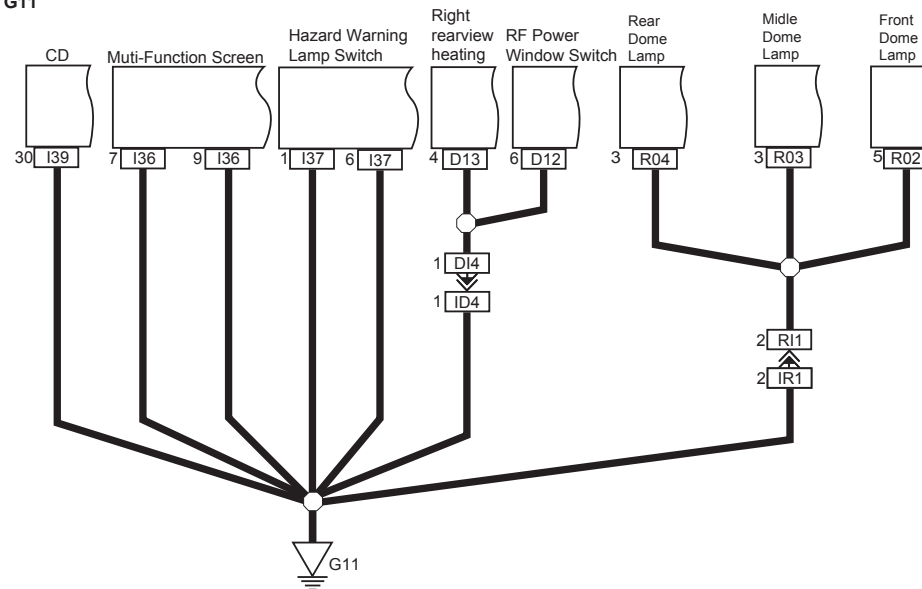


Ground Distribution G10-G11-G12

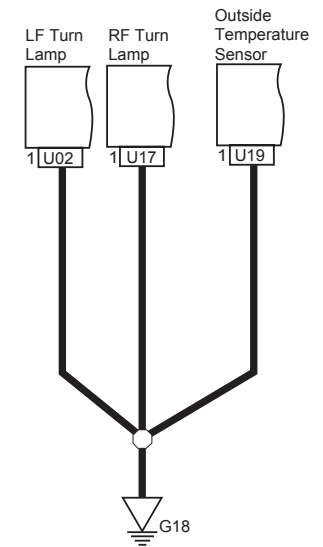
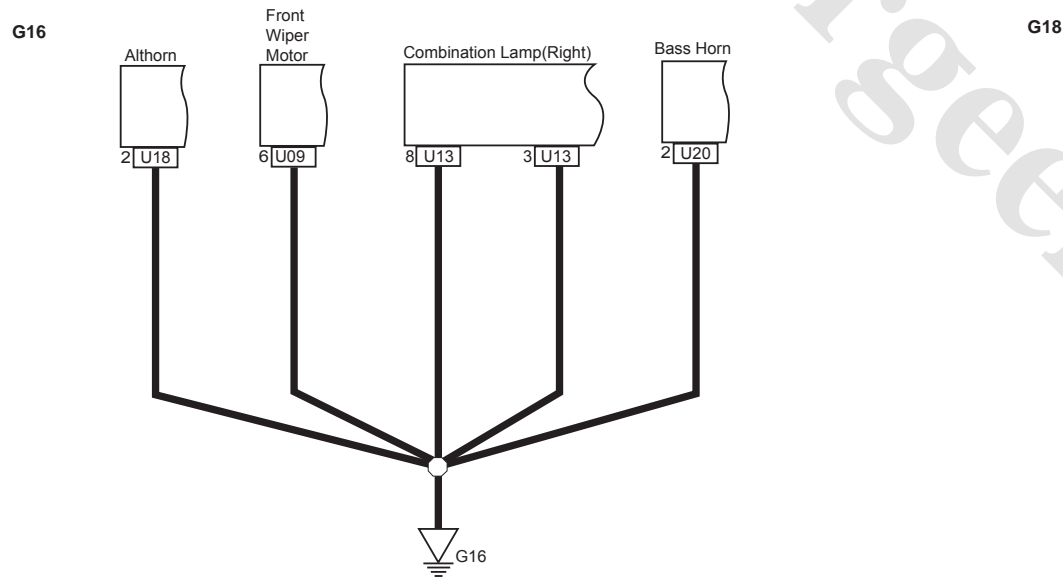
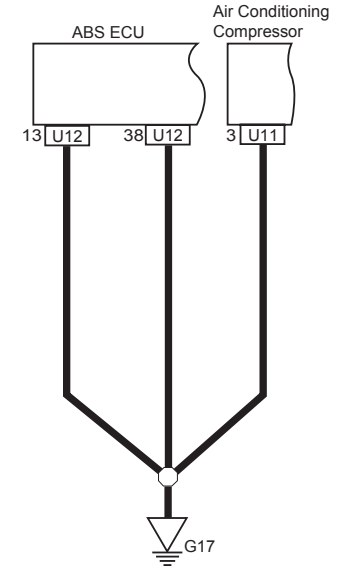
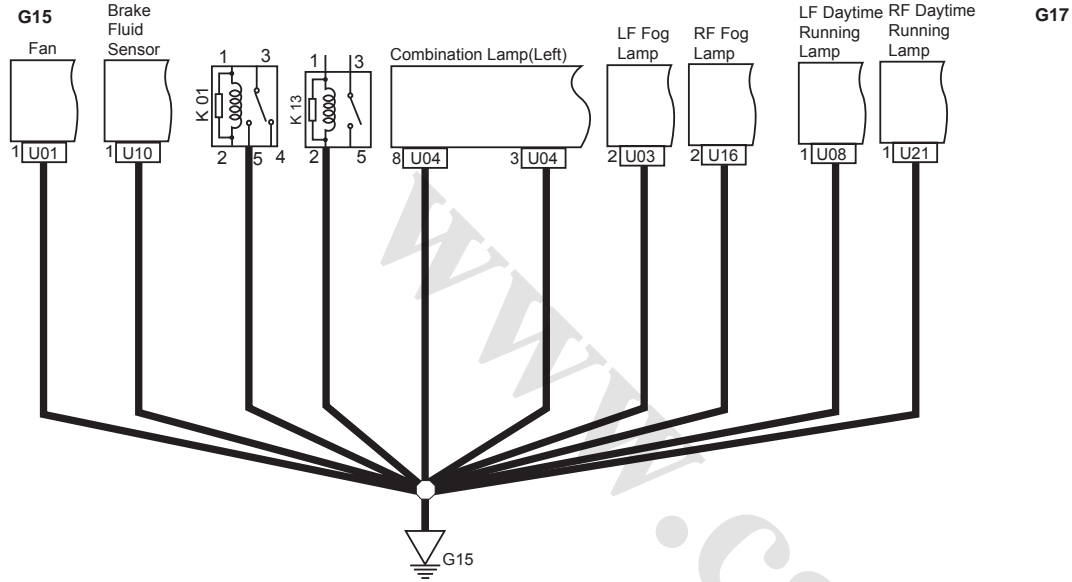
G10



G11



Ground Distribution G15-G16-G17-G18

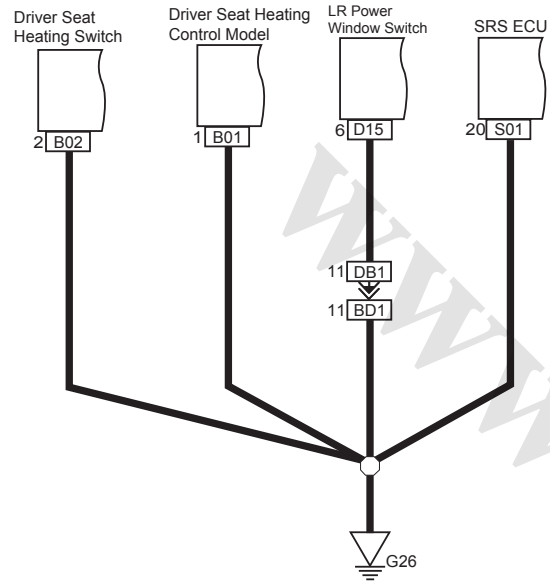


Ground Distribution G21-G24

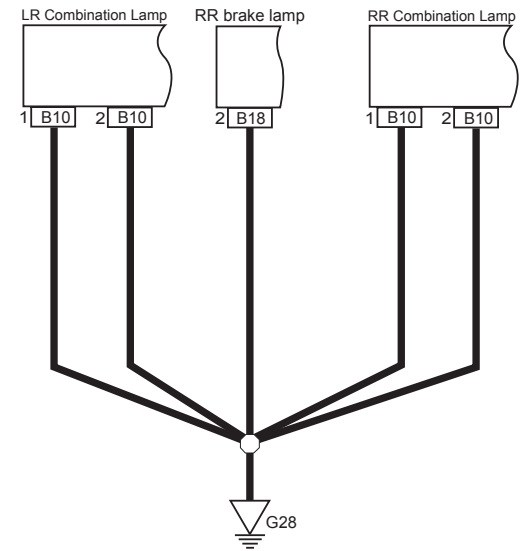


Ground Distribution G26-G27-G28-G29

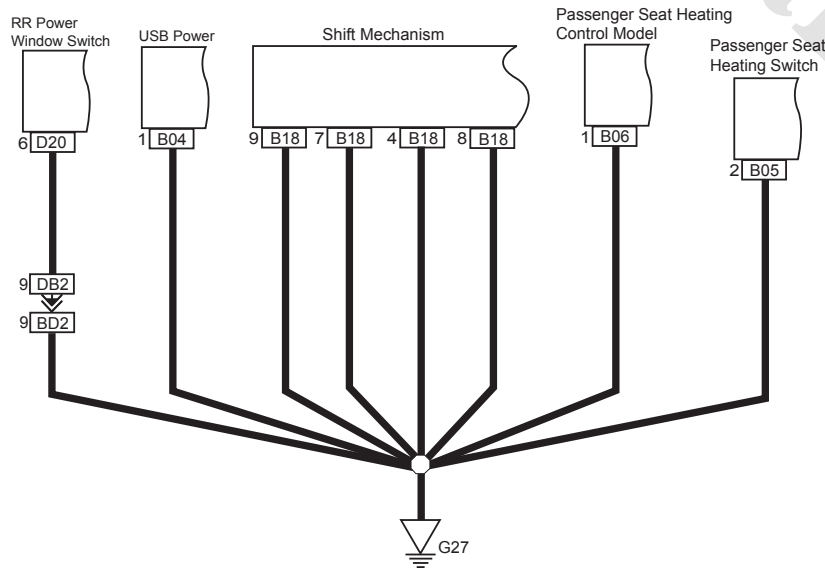
G26



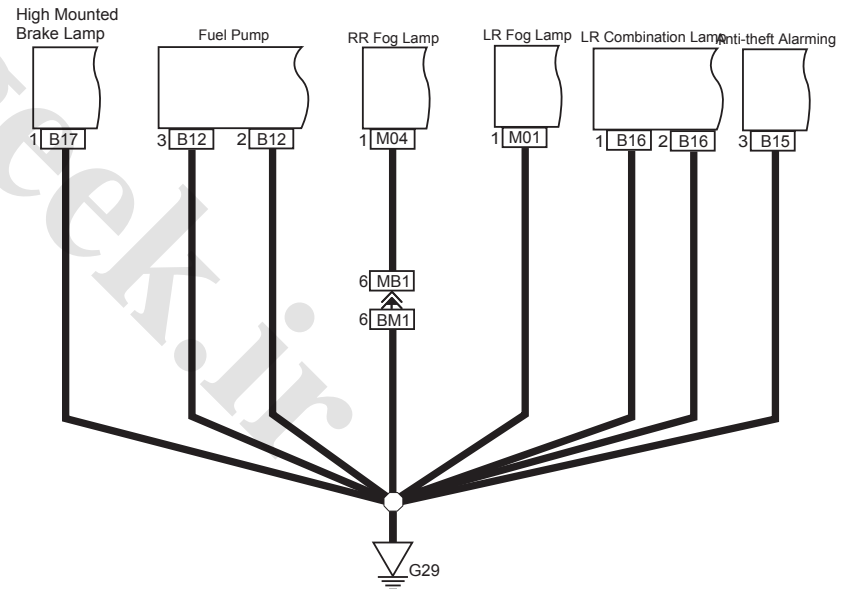
G28



G27

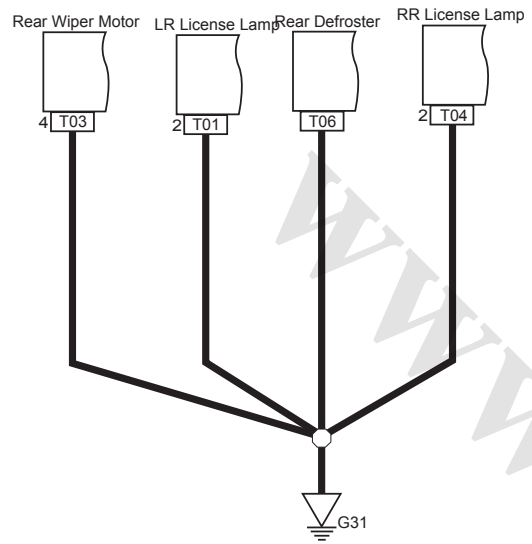


G29

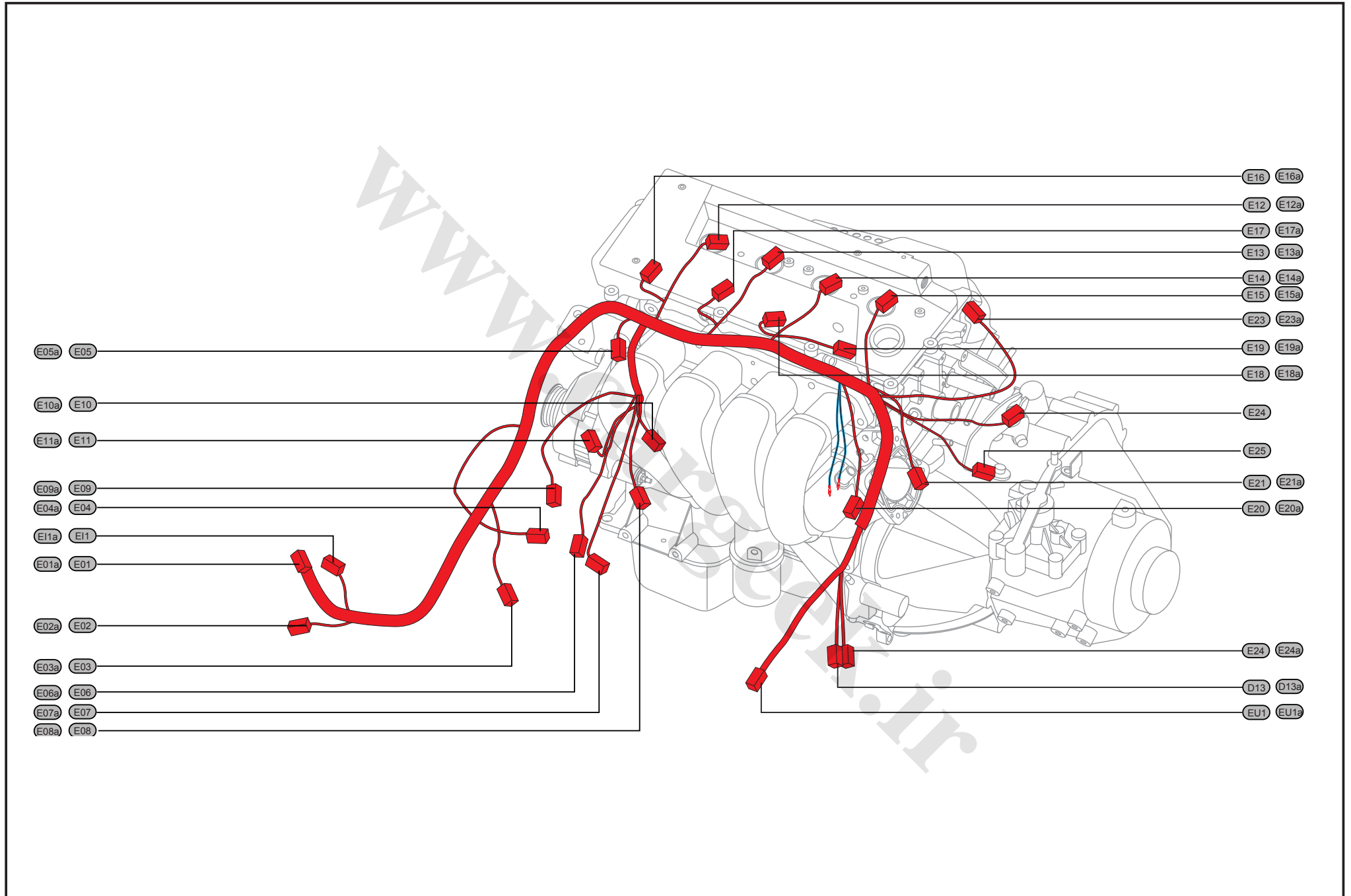


Ground Distribution G31

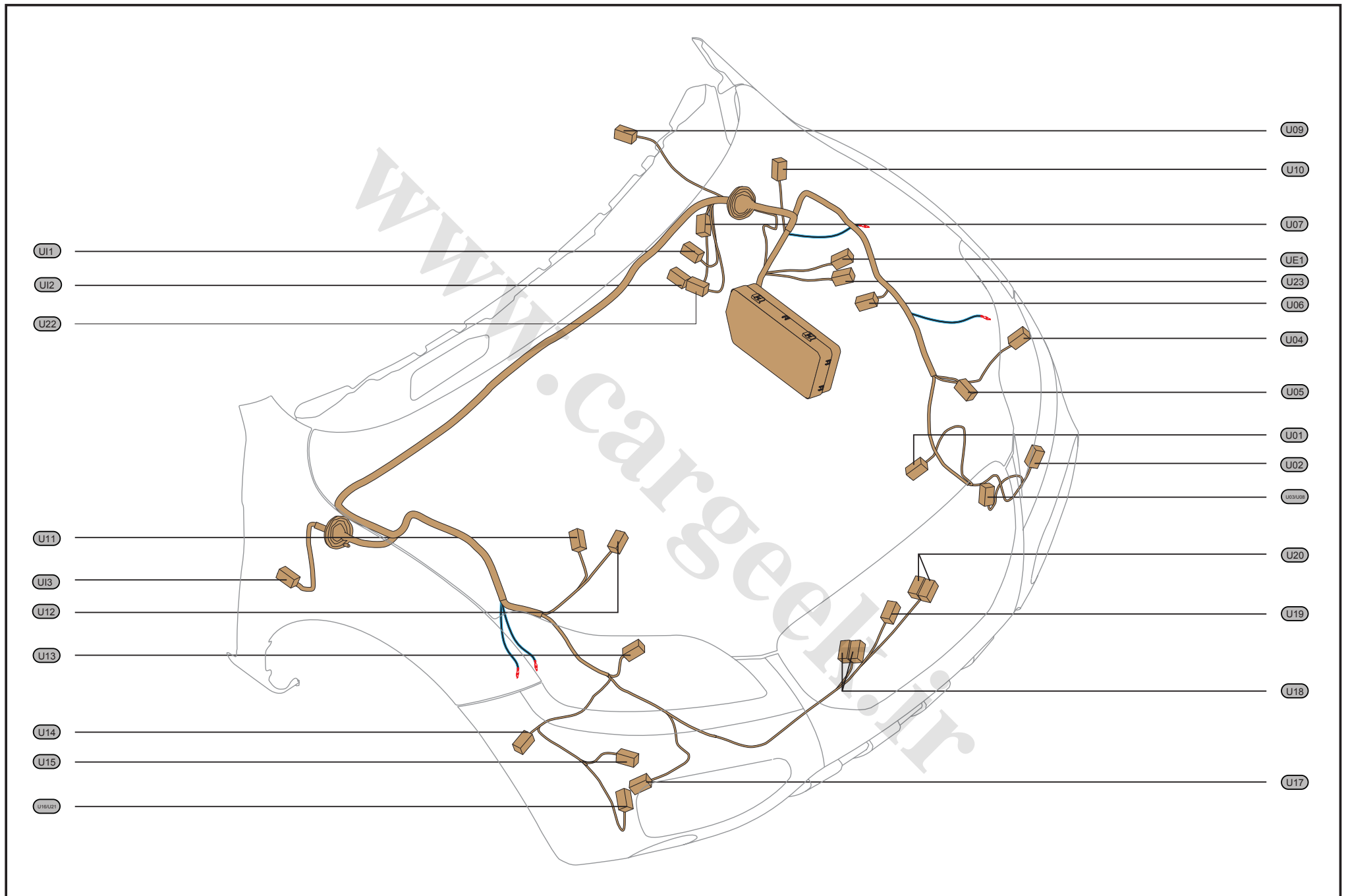
G31



Engine Harness Connector Location View

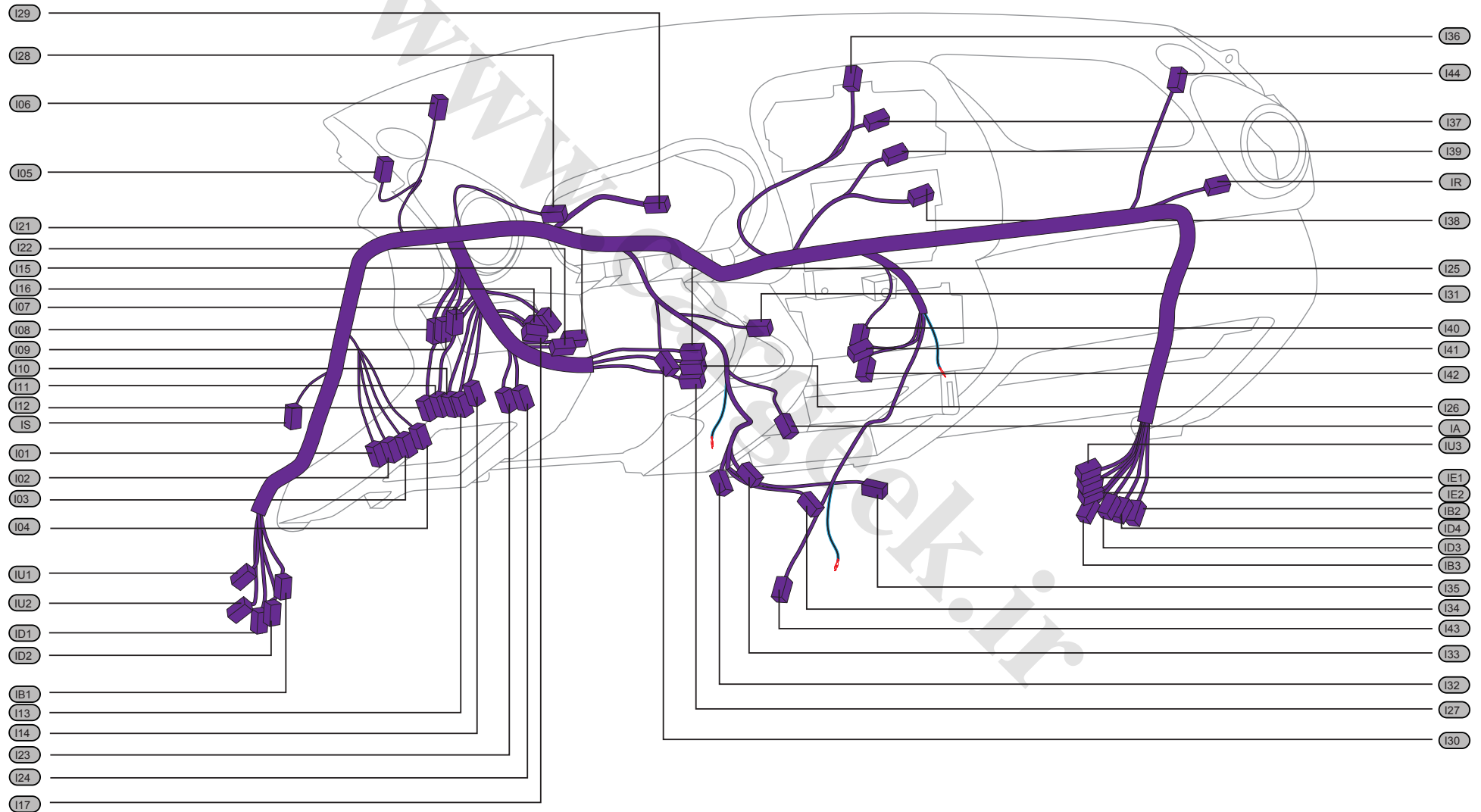


Engine Compartment Harness Connector Location View

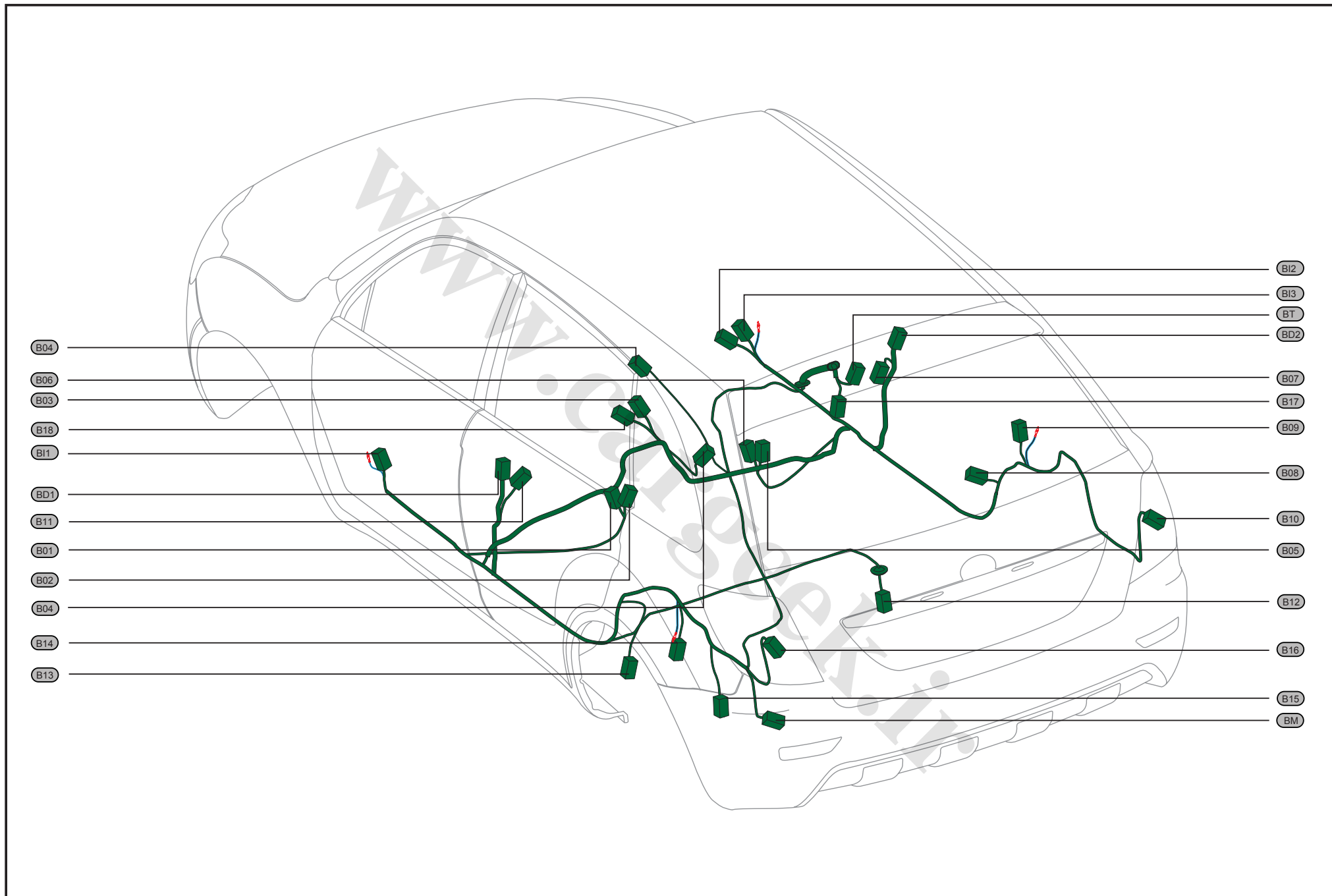


IP Harness Connector Location View

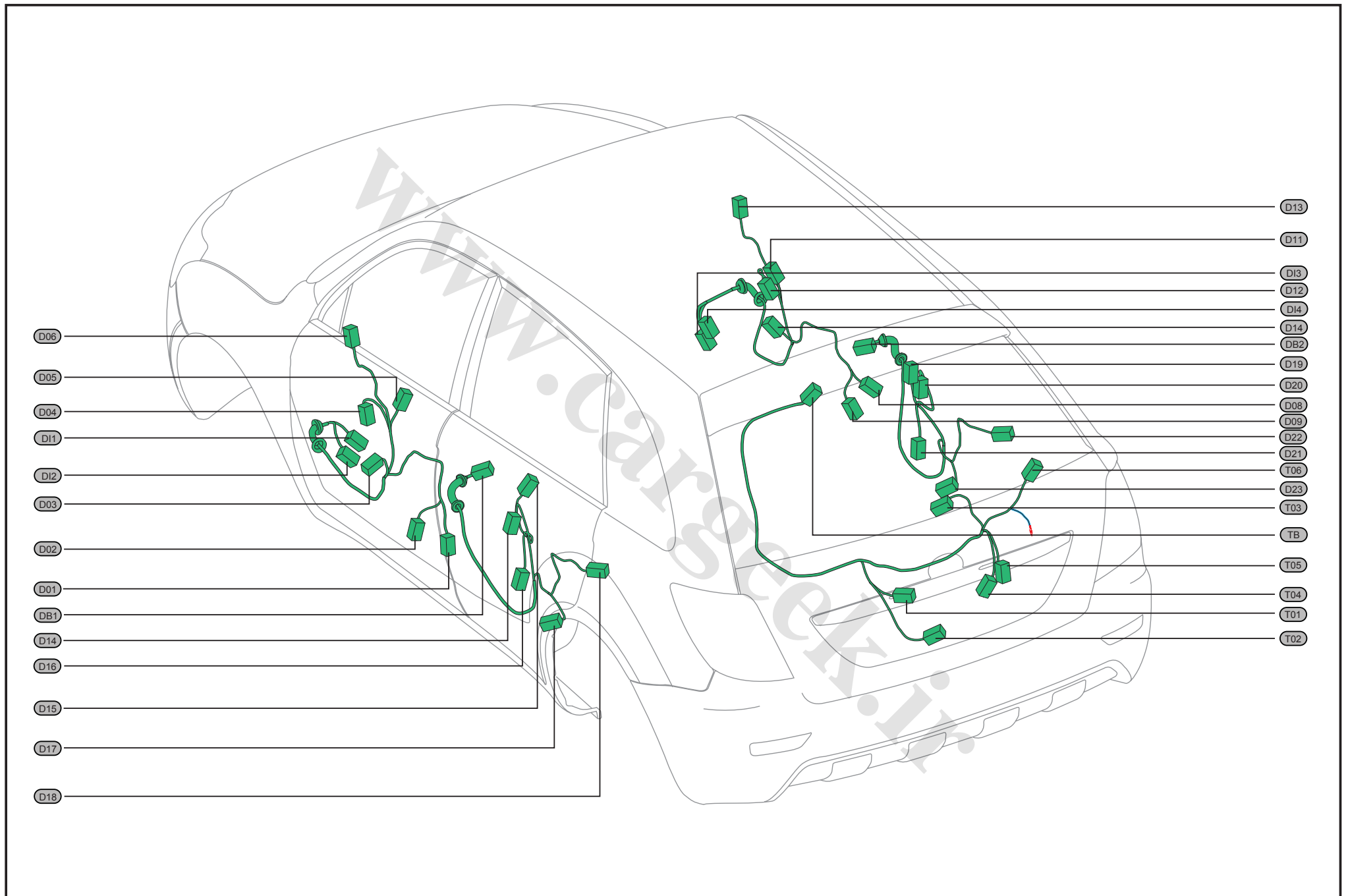
IP Harness Connector Location View



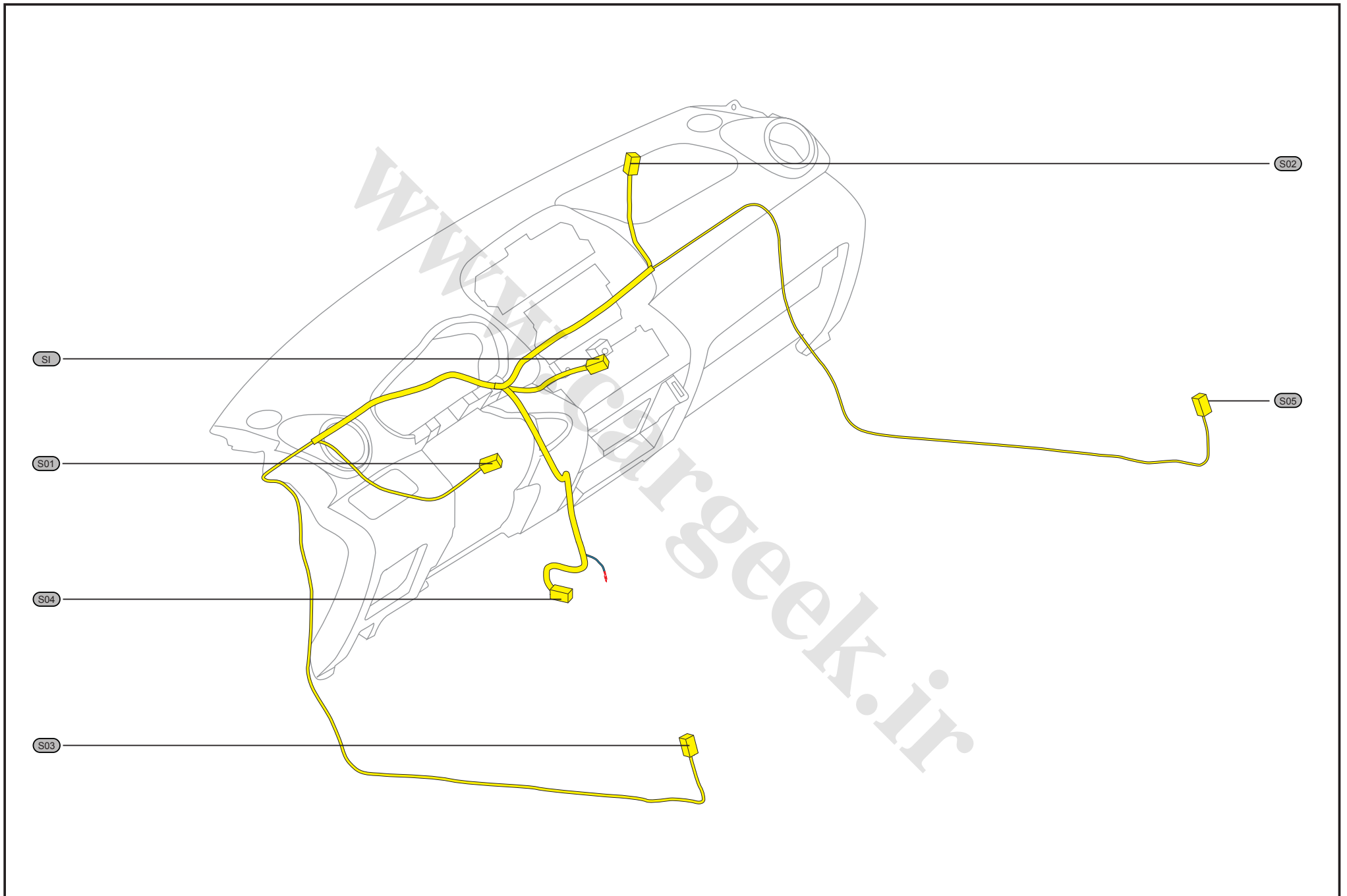
Body Harness Connector Location View



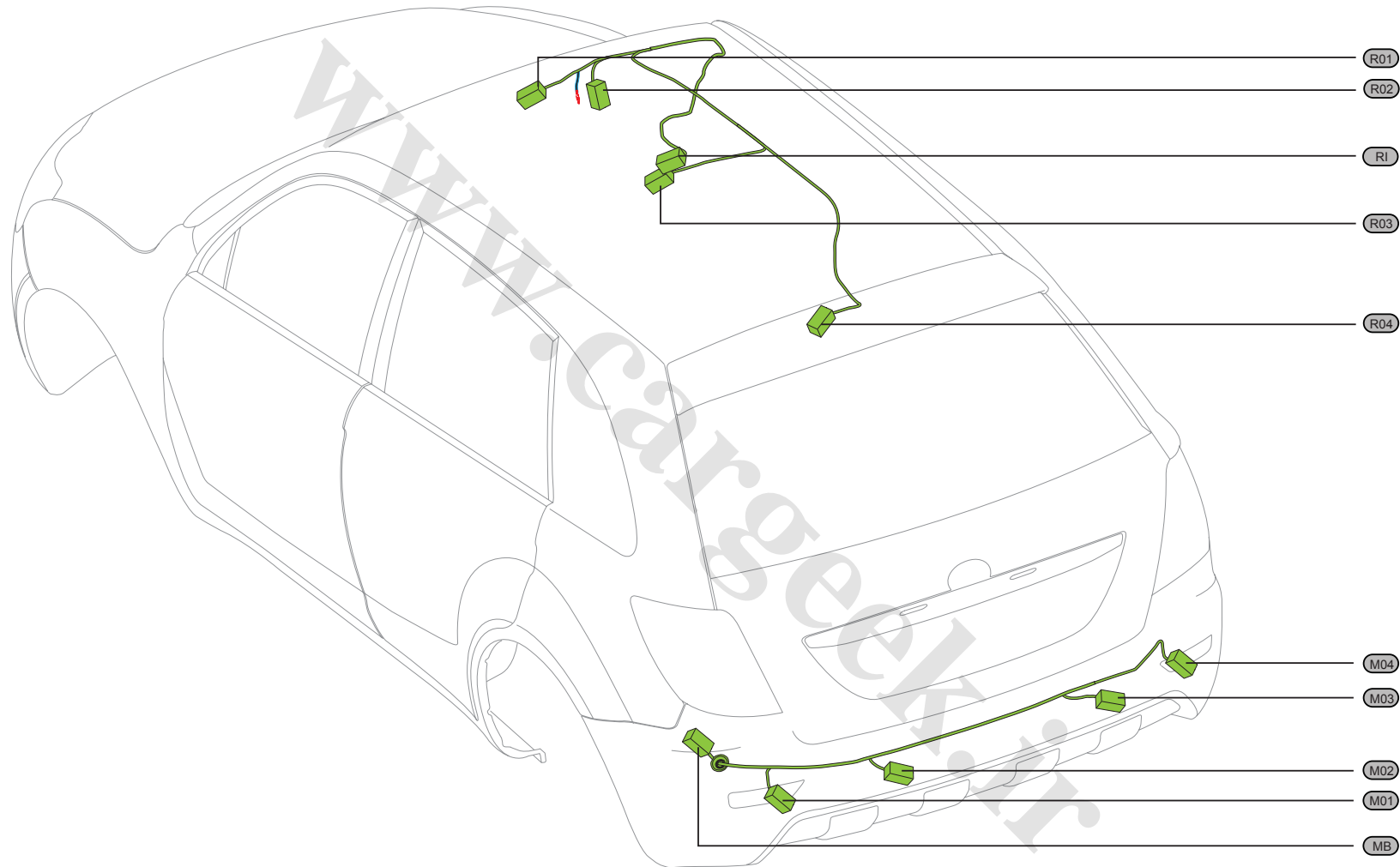
Door and Tail Gate Harness Connector Location View



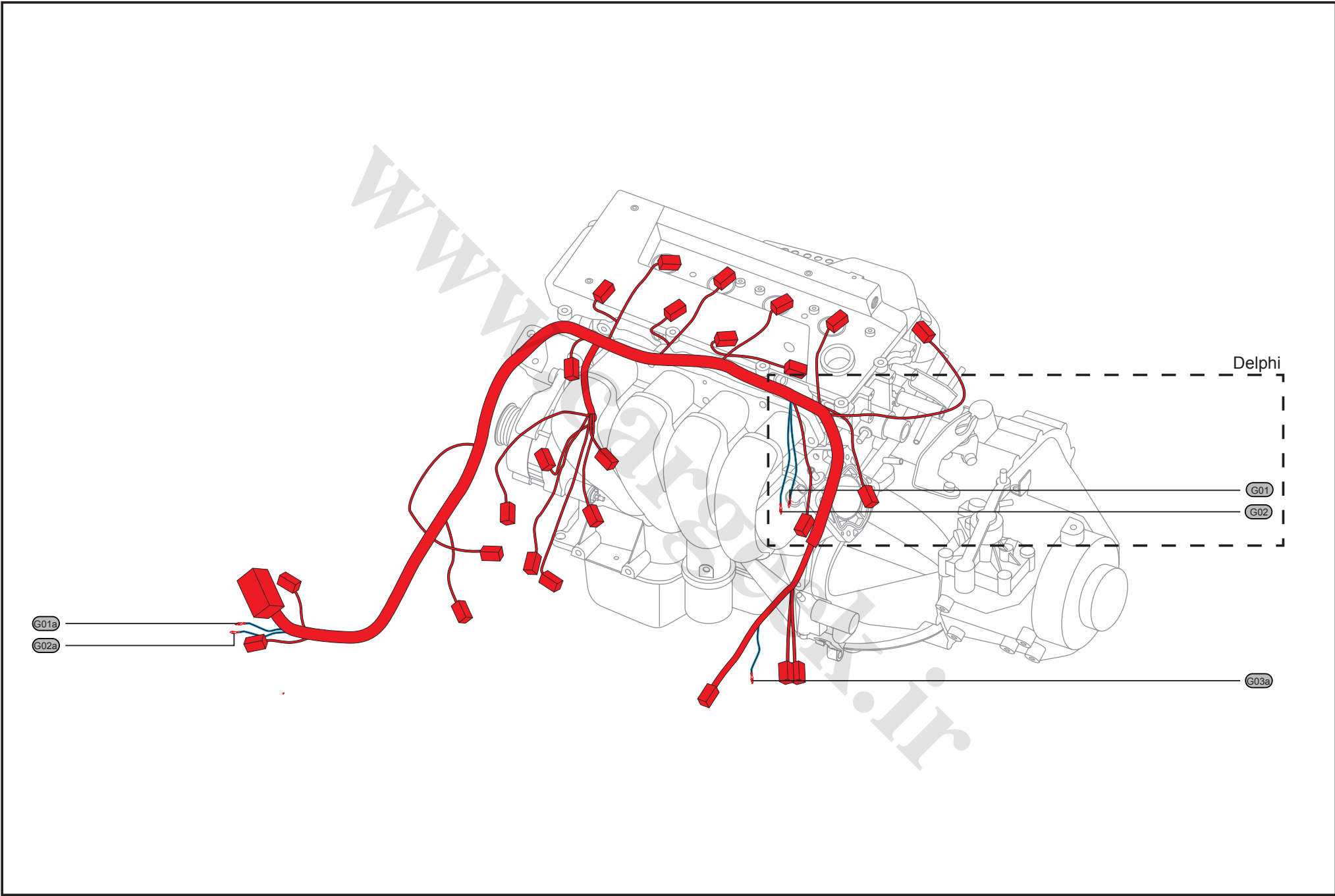
Airbag Harness Connector Location View



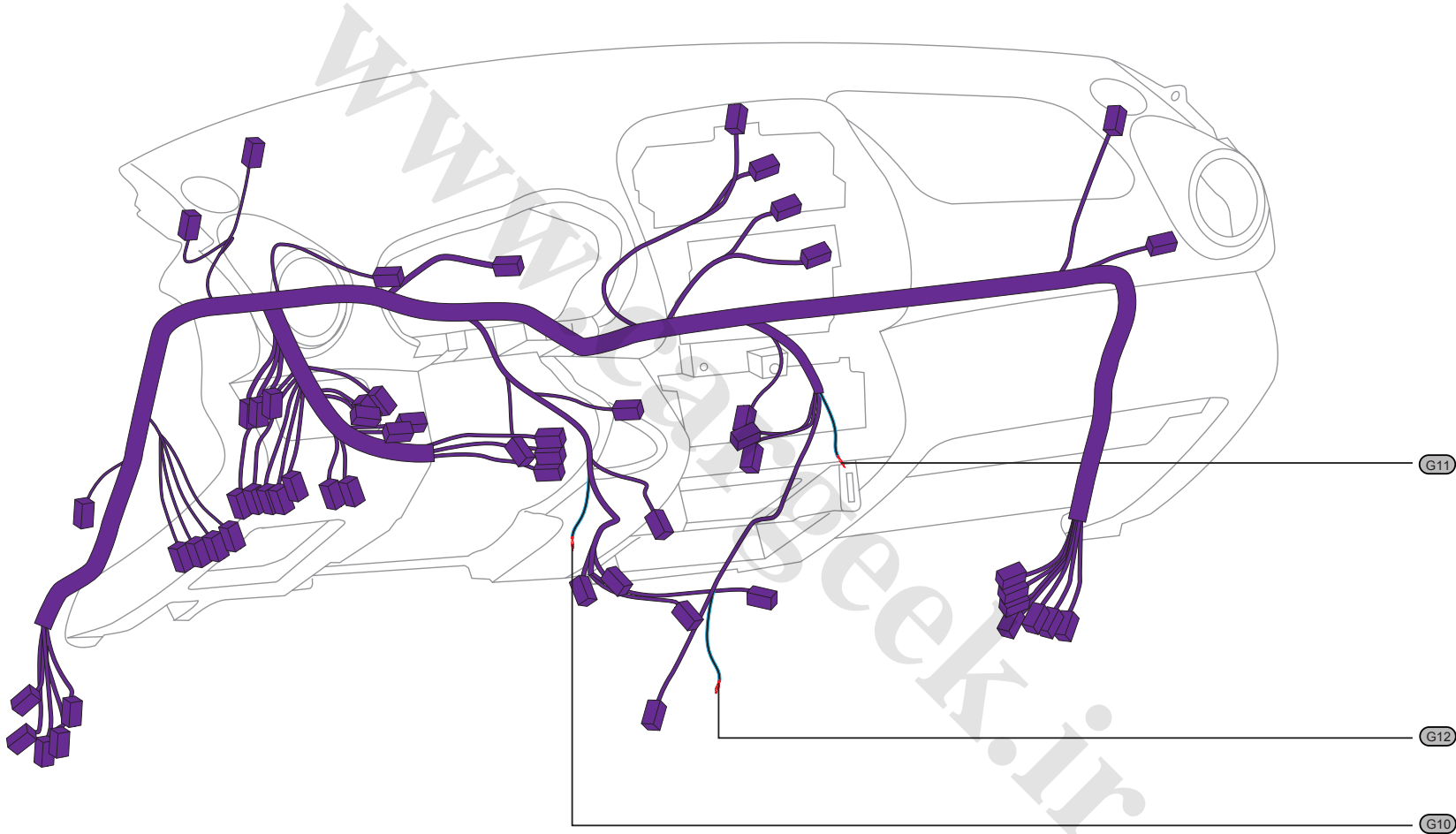
Roof Harness Connector Location View



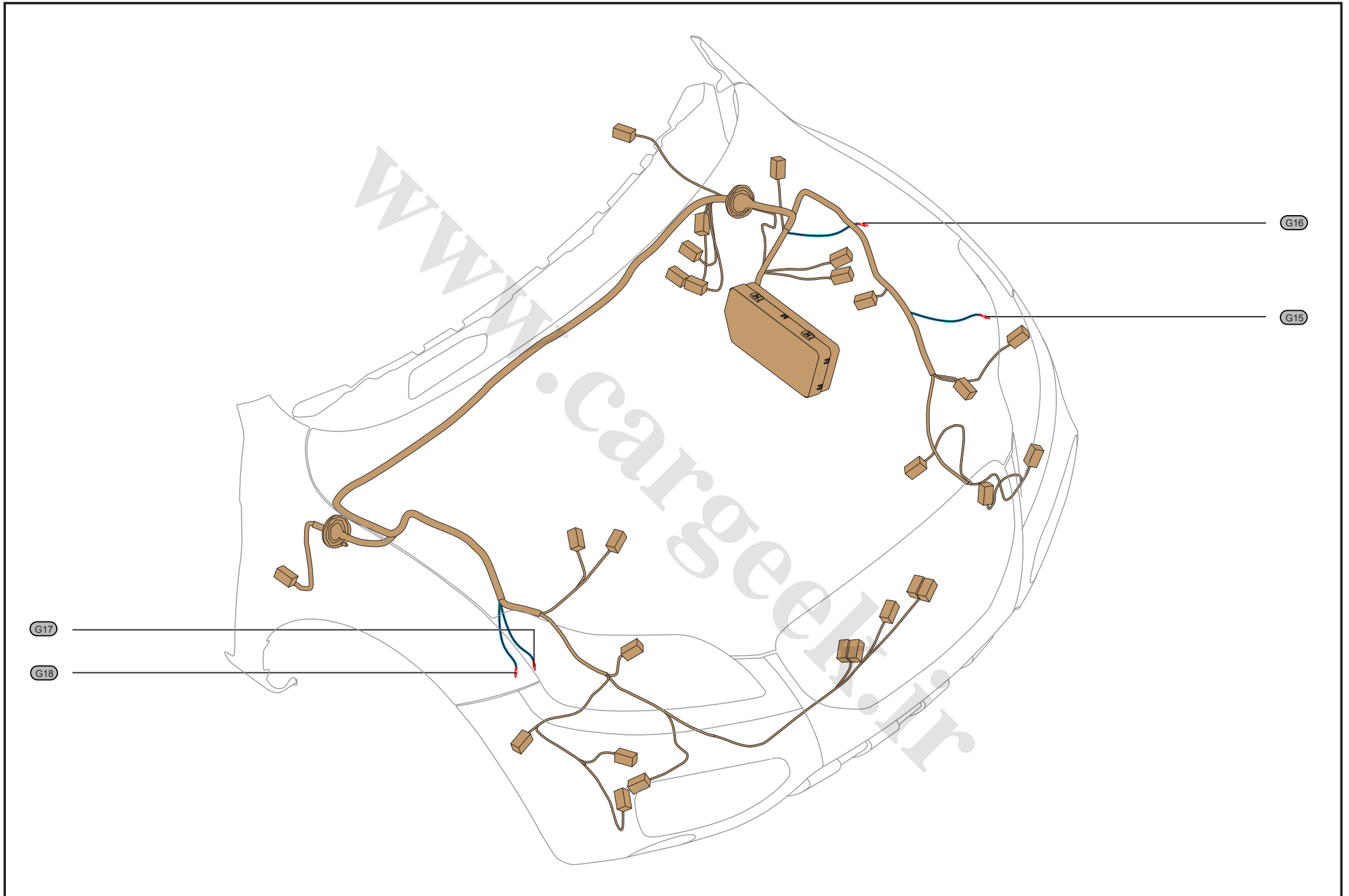
Ground Point Location View-G01-G02-G01a-G02a-G03a



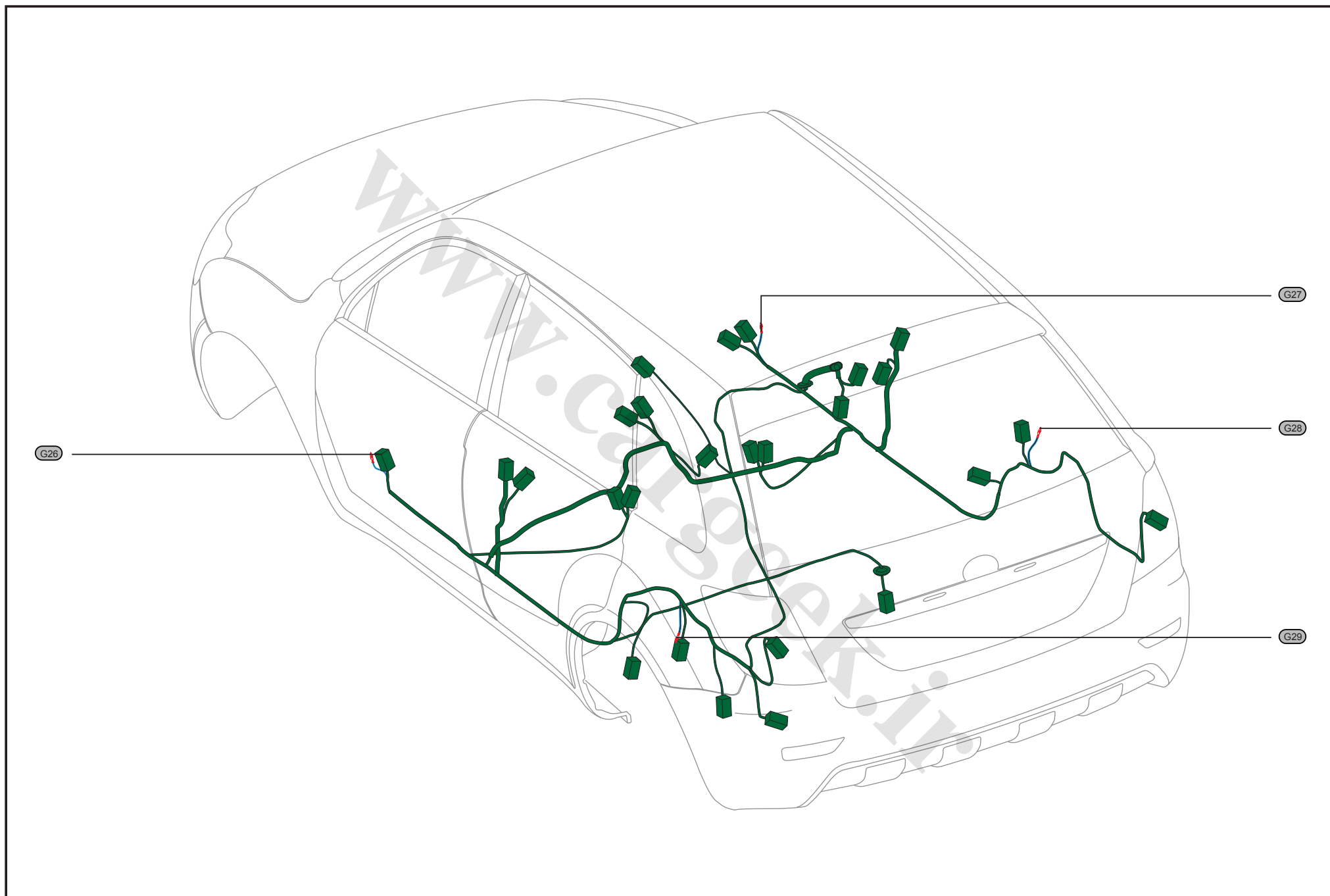
Ground Point Location View-G10-G11-G12



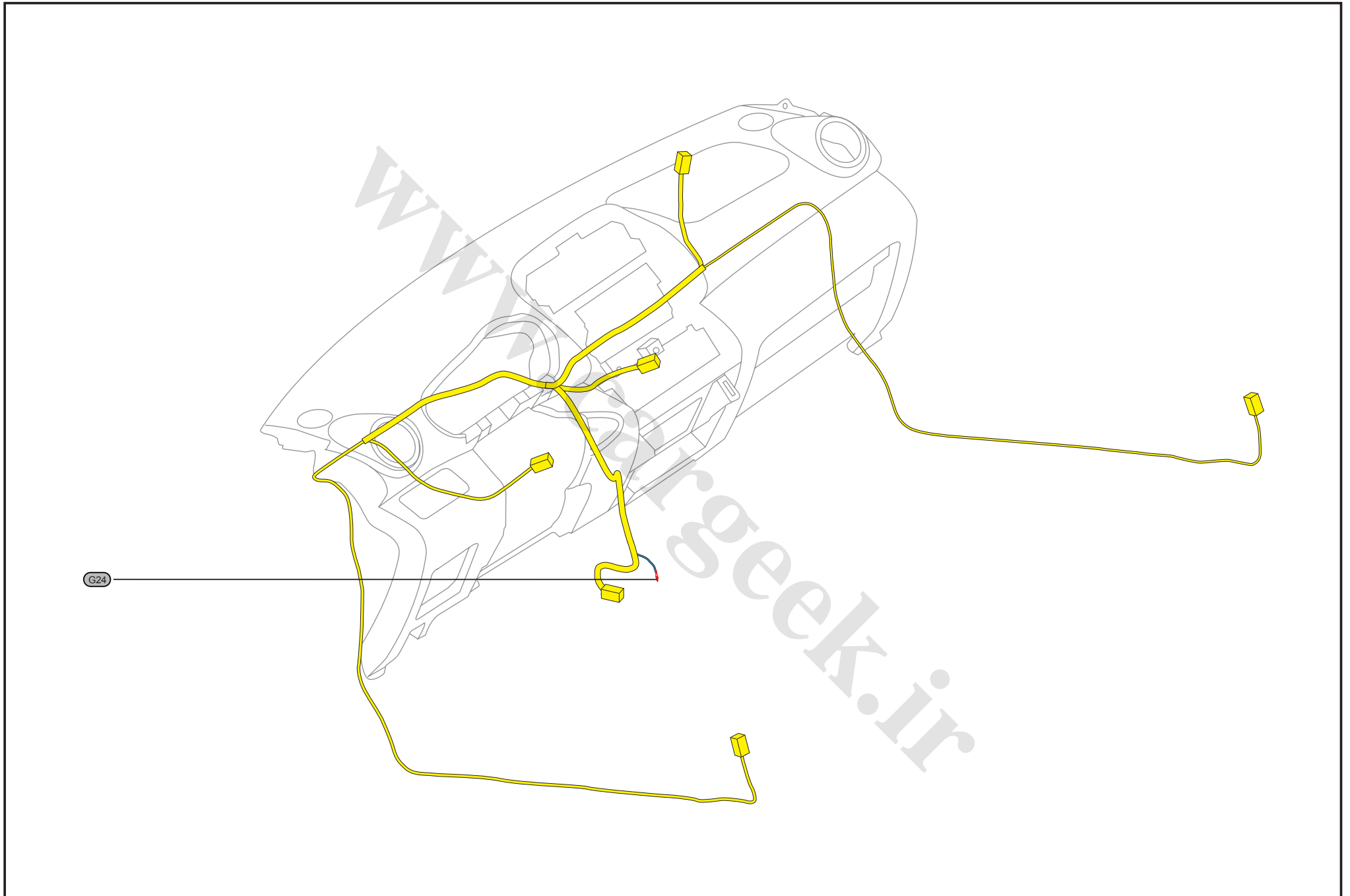
Ground Point Location View-G15-G16-G17-G18



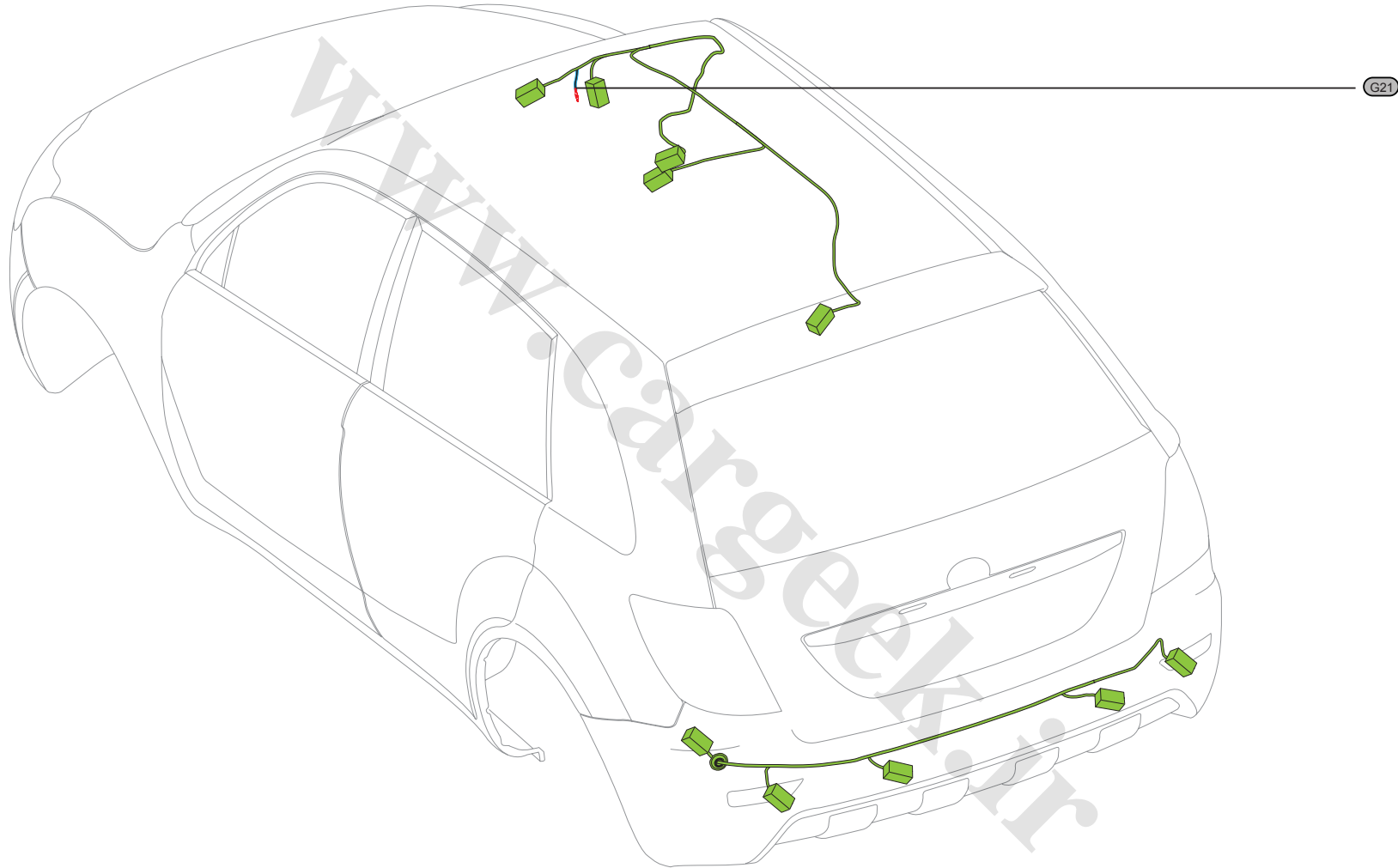
Ground Point Location View-G26-G27-G28-G29



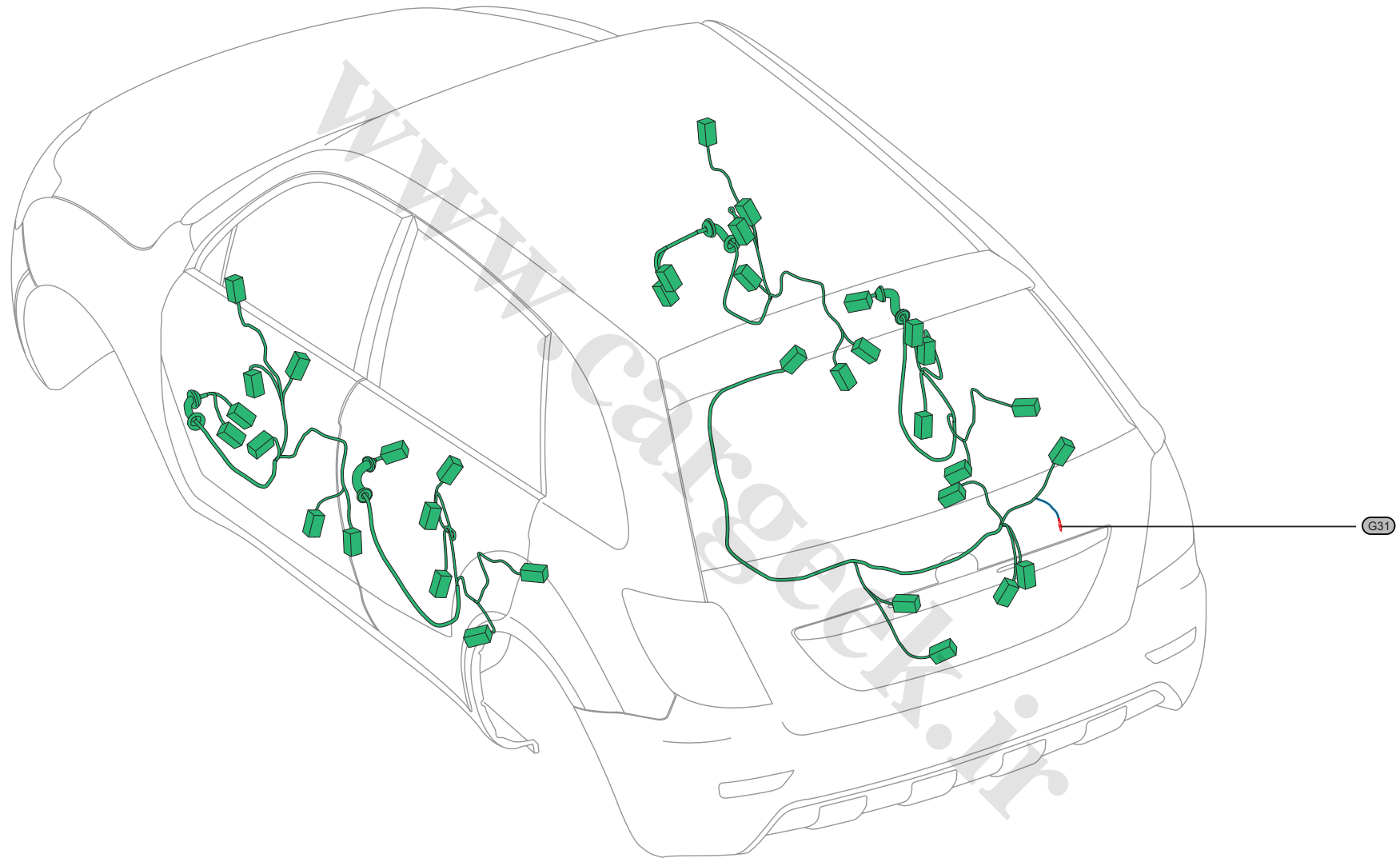
Ground Point Location View-G24



Ground Point Location View-G21



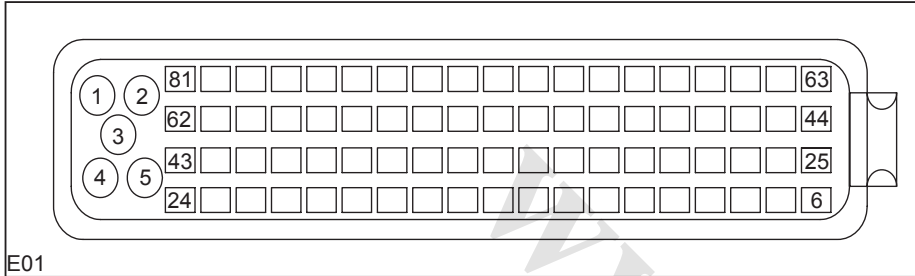
Ground Point Location View-G31



Harness Connector View

Engine Harness Connector (E--)

ECU Connector



E01

E01 Pin Definition

Pin Number	Wire Width / Color	Function
1	2.00 G/W	Cylinder 3 ignition coil signal
2	0.85 B	Ground
3	3.00 B	Ground
4	2.00 G/R	Cylinder 1 ignition coil signal
5	0.85 BI/R	Main relay power
6	0.50 O/B	Cylinder 1 Injector signal
7	0.85 P/Y	Cylinder 3 Injector signal
8	0.85 Y/R	Cylinder 2 Injector signal
9	0.50 B/O	Fuel pump control signal
10	0.50 W	A/C relay control signal
11	0.50 BI	CKP signal L
12	0.50 W/BI	SVS signal
13		NC
14		NC
15		NC
16		NC
17	0.50 O/BI	High speed fan control signal
18		NC
19	0.50 G	Check engine signal
20	0.50 V	TPS power-
21	0.50 Y	TPS power+
22		NC
23	0.50 G	Rear oxygen sensor signal
24	0.85 V/W	Front oxygen sensor signal
25	0.85 G/Y	Cylinder 4 Injector signal
26		NC
27	0.50 P	TPS GND
28		NC
29		NC
30	0.50 G	CKP signal H
31		NC

Engine Harness Connector (E--)

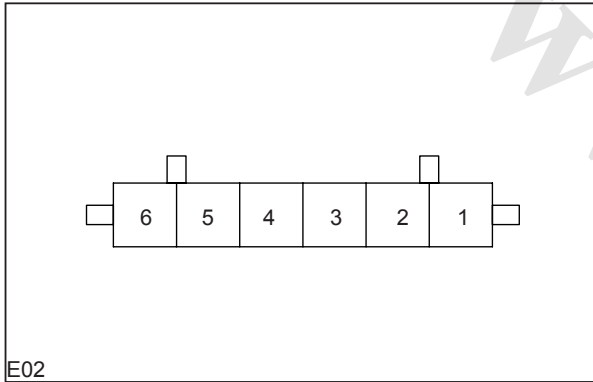
32		NC
33	0.50 BI/R	Brake switch signal
34		NC
35	0.50 W/BI	Headlamp open signal
36	0.50 W	KS signal+
37	0.50 B	KS signal-
38	0.50 BI/W	CAN-L
39	0.50 BI/B	CAN-H
40	0.50 G	A/C pressure switch signal
41	0.50 R/Y	APP signal
42	0.50 Gr	APP signal
43	0.85 Y/W	VVT valve signal
44	0.85 Y	Main relay power
45		NC
46	0.50 P/W	IMMO signal
47	0.85 O/Y	Front oxygen sensor heating signal
48	0.50 Gr	Rear oxygen sensor heating signal
49	0.50 Y/B	ECT signal
50		NC
51	0.50 O/G	Speed signal output
52	0.50 BI/G	TPS signal
53		NC
54	0.50 P	MAP/IAT signal
55		NC
56		NC
57		NC
58		NC
59	0.50 W/G	Signal
60	0.50 BI/G	Power steering switch signal
61	0.50 Br	Coolant temperature signal
62	2.00 Br	Cylinder 4 ignition coil signal
63		NC
64	0.85 W/G	Canister solenoid signal
65	0.50 BI/Y	Low speed fan control signal
66	0.50 R/W	APP signal
67	0.85 R	Battery power
68	1.25 B/W	IG2 power
69	0.50 W/BI	Brake signal
70	0.50 R/B	Signal
71	0.50 BI	MAP/IAT signal
72		NC
73	0.50 V/B	Rear oxygen sensor heating signal
74	0.50 W	Signal
75	0.50 P/G	K-line
76	0.50 W/B	Signal
77	0.50 G/W	CMP signal
78		NC

Harness Connector View

Engine Harness Connector (E--)

Pin Number	Wire Width / Color	Function
79	0.50 R/G	A/C pressure switch signal
80	0.50 W/B	Engine speed signal output
81	2.00 P/G	Cylinder 2 ignition coil signal

Accelerator Pedal Position Sensor Connector

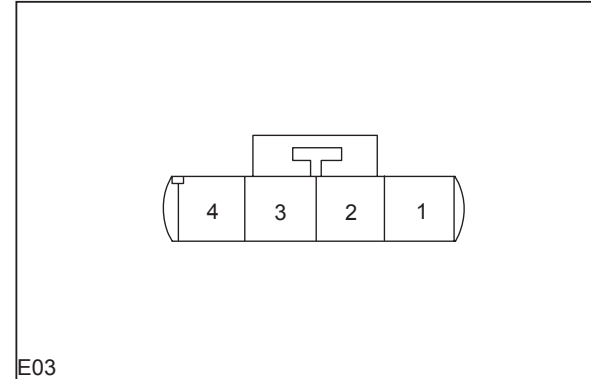


E02 Pin Definition

Pin Number	Wire Width / Color	Function
1	0.50 Gr	Signal
2	0.50 W/B	Signal
3	0.50 R/Y	Signal
4	0.50 W	Signal
5	0.50 R/B	Signal
6	0.50 R/W	Signal

Engine Harness Connector (E--)

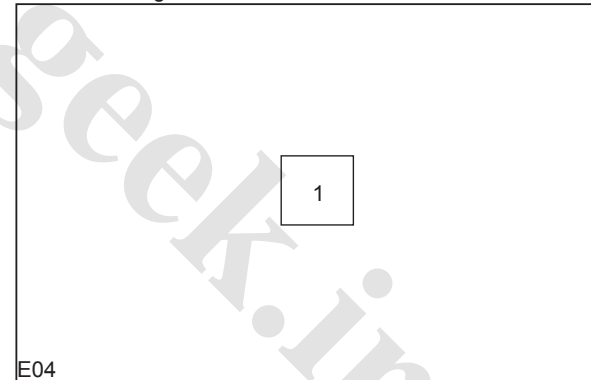
Front Oxygen Sensor Connector



E03 Pin Definition

Pin Number	Wire Width / Color	Function
1	0.85 Bl/R	Power
2	0.85 V/W	Signal
3	0.85 O/Y	Heating control signal
4	0.85 V/B	Heating control signal

Power Steering Switch Connector



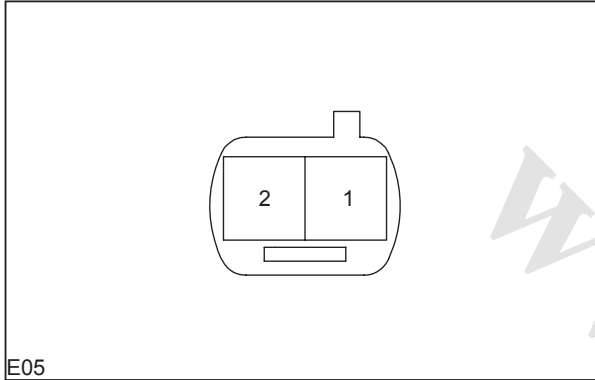
E04 Pin Definition

Pin Number	Wire Width / Color	Function
1	0.50 Bl/G	Signal

Harness Connector View

Engine Harness Connector (E--)

Intake VVT Valve Connector

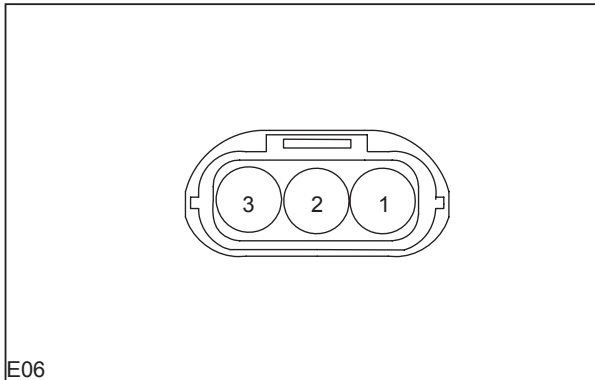


E05

E05 Pin Definition

Pin Number	Wire Width / Color	Function
1	0.50 Y/W	Power
2	0.85 BI/Y	Signal

Alternator Connector



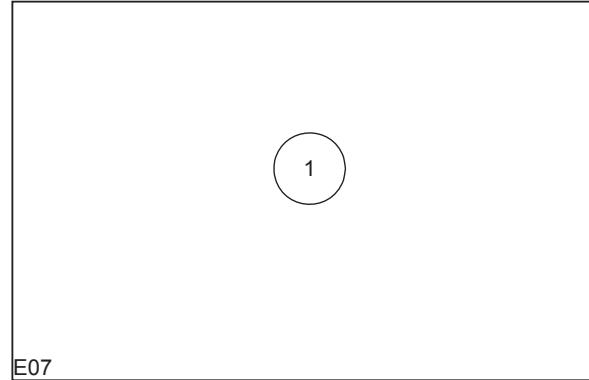
E06

E06 Pin Definition

Pin Number	Wire Width / Color	Function
1	0.85 R	Battery power
2	1.25 B/W	IG2 power
3	0.85 V	Charging indicator signal

Engine Harness Connector (E--)

A/C Compressor Switch Connector

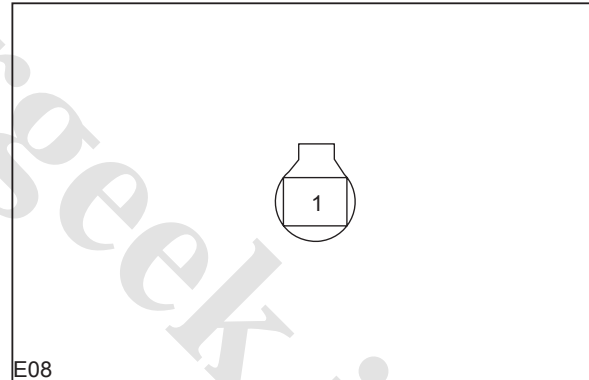


E07

E07 Pin Definition

Pin Number	Wire Width / Color	Function
1	0.50 Y/W	Power

Oil Pressure Switch Connector



E08

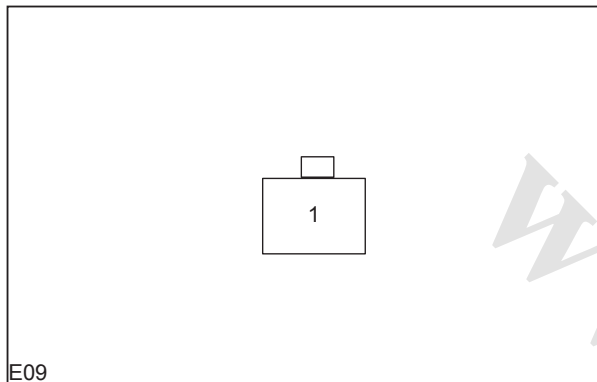
E08 Pin Definition

Pin Number	Wire Width / Color	Function
1	0.50 Y/B	Signal

Harness Connector View

Engine Harness Connector (E--)

Starter Connector

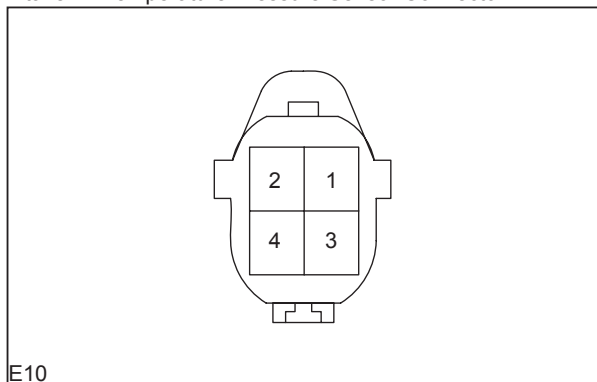


E09

E09 Pin Definition

Pin Number	Wire Width / Color	Function
1	2.00 B/Y	Power

Intake Air Temperature/Pressure Sensor Connector



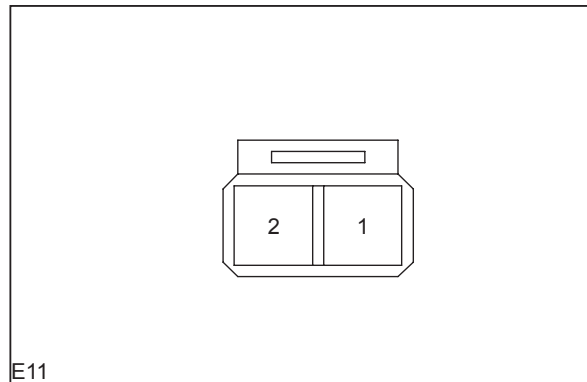
E10

E10 Pin Definition

Pin Number	Wire Width / Color	Function
1	0.50 BI	Signal
2	0.50 P	Signal
3	0.50 W/B	Signal
4	0.50 R/W	Signal

Engine Harness Connector (E--)

Knock Sensor Connector

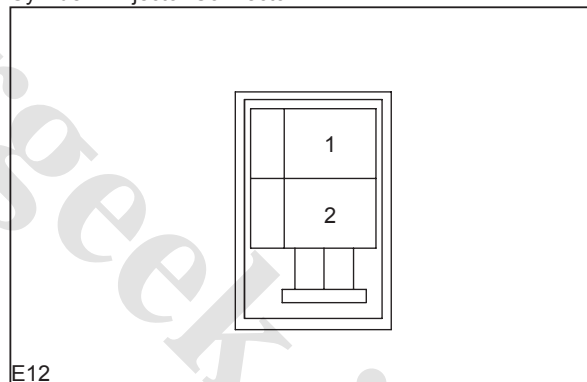


E11

E11 Pin Definition

Pin Number	Wire Width / Color	Function
1	0.50 B	Signal+
2	0.50 W	Signal-

Cylinder 1 Injector Connector



E12

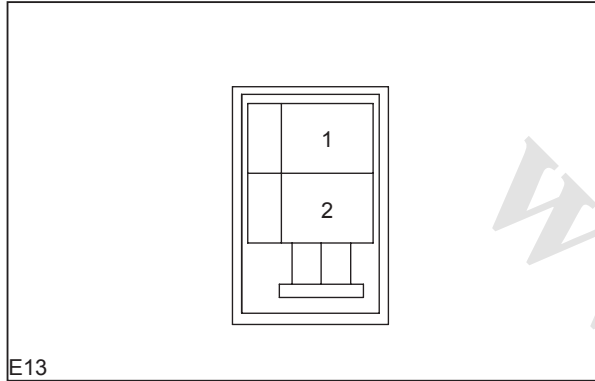
E12 Pin Definition

Pin Number	Wire Width / Color	Function
1	0.85 BI/R	Power
2	0.85 O/B	Signal

Harness Connector View

Engine Harness Connector (E--)

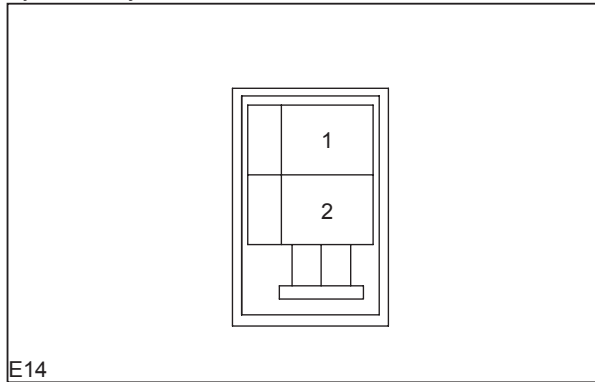
Cylinder 2 Injector Connector



E13 Pin Definition

Pin Number	Wire Width / Color	Function
1	0.85 B/R	Power
2	0.85 Y/R	Signal

Cylinder 3 Injector Connector

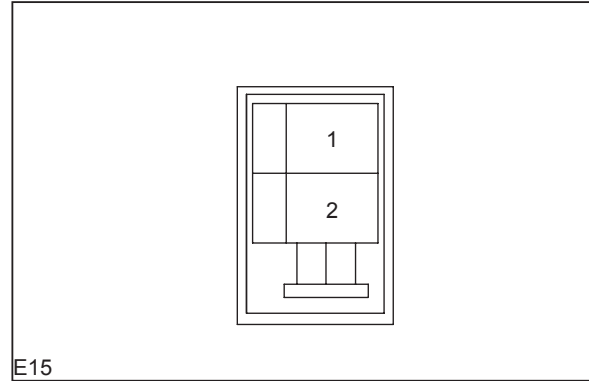


E14 Pin Definition

Pin Number	Wire Width / Color	Function
1	0.85 B/R	Power
2	0.85 P/Y	Signal

Engine Harness Connector (E--)

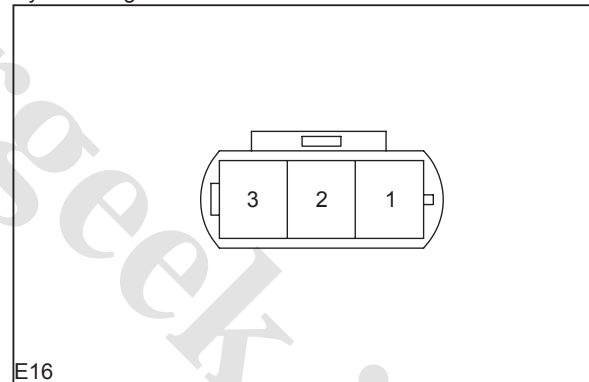
Cylinder 4 Injector Connector



E15 Pin Definition

Pin Number	Wire Width / Color	Function
1	0.85 B/R	Power
2	0.85 G/Y	Signal

Cylinder 1 Ignition Coil Connector



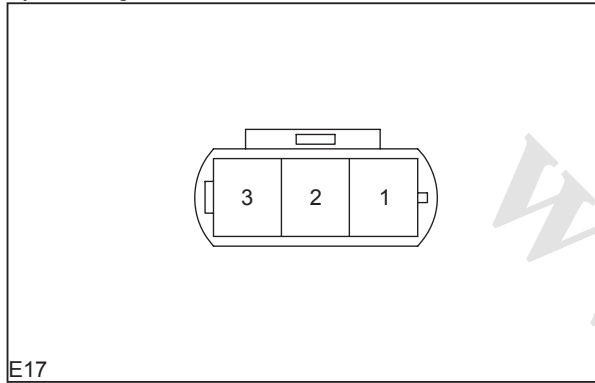
E16 Pin Definition

Pin Number	Wire Width / Color	Function
1	2.00 G/R	Signal
2	0.85 B	Ground
3	0.85 B/W	IG2 power

Harness Connector View

Engine Harness Connector (E--)

Cylinder 2 Ignition Coil Connector

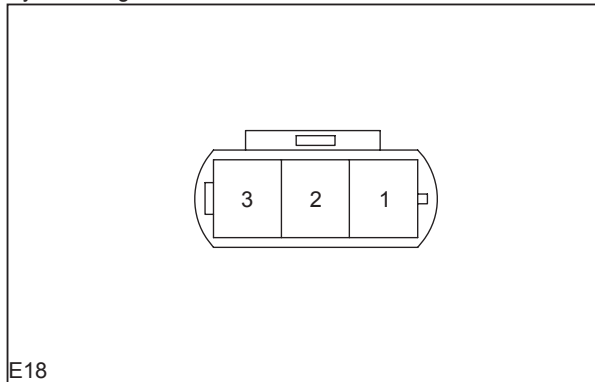


E17

E17 Pin Definition

Pin Number	Wire Width / Color	Function
1	2.00 P/G	Signal
2	0.85 B	Ground
3	0.85 B/W	IG2 power

Cylinder 3 Ignition Coil Connector



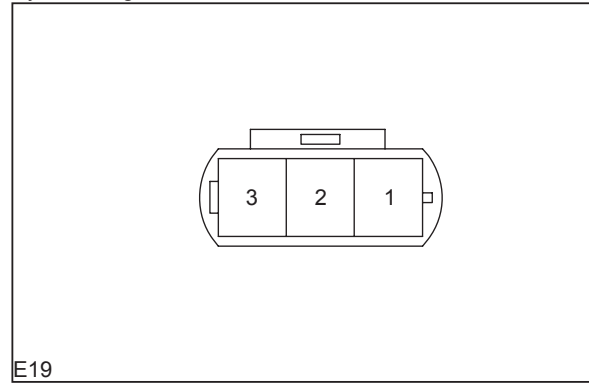
E18

E18 Pin Definition

Pin Number	Wire Width / Color	Function
1	2.00 G/W	Signal
2	0.85 B	Ground
3	0.85 B/W	IG2 power

Engine Harness Connector (E--)

Cylinder 4 Ignition Coil Connector

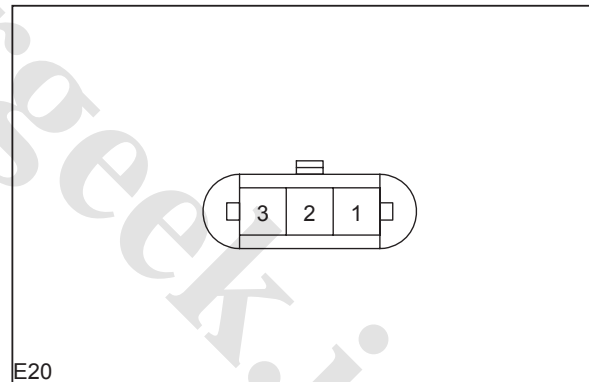


E19

E19 Pin Definition

Pin Number	Wire Width / Color	Function
1	2.00 Br	Signal
2	0.85 B	Ground
3	0.85 B/W	IG2 power

Intake Camshaft Sensor Connector



E20

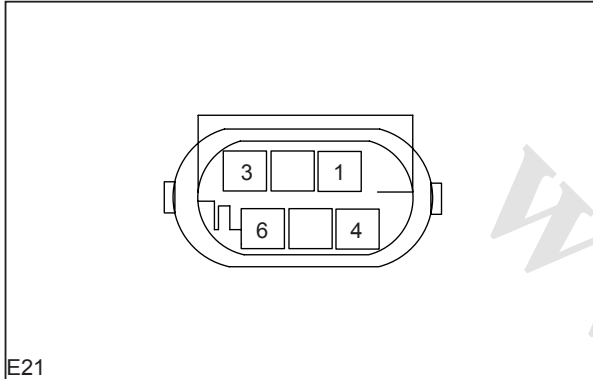
E20 Pin Definition

Pin Number	Wire Width / Color	Function
1	0.50 R/B	Signal
2	0.50 W	Signal
3	0.50 G/W	Signal

Harness Connector View

Engine Harness Connector (E--)

Electronically Controlled Throttle Valve Connector

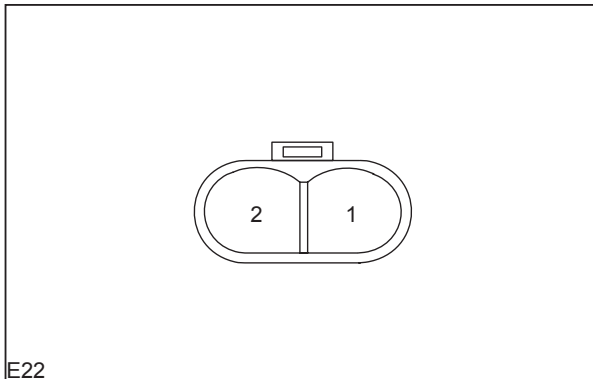


E21

E21 Pin Definition

Pin Number	Wire Width / Color	Function
1	0.50 W	Signal
2	0.50 Bl/G	Signal
3	0.50 P	GND
4	0.50 R/B	Signal
5	0.50 Y	Power+
6	0.50 V	Power-

Canister Solenoid valve Connector



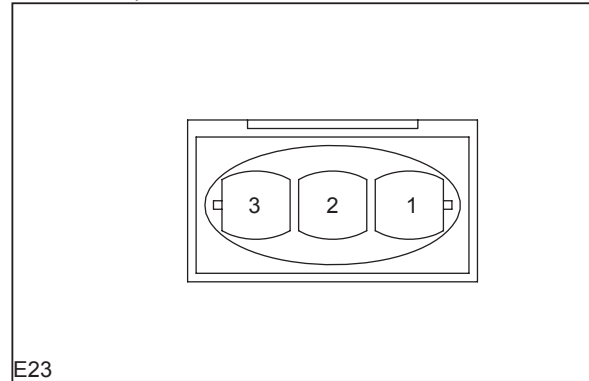
E22

E22 Pin Definition

Pin Number	Wire Width / Color	Function
1	0.85 Bl/R	Power
2	0.85 W/G	Signal

Engine Harness Connector (E--)

Coolant Temperature Sensor Connector

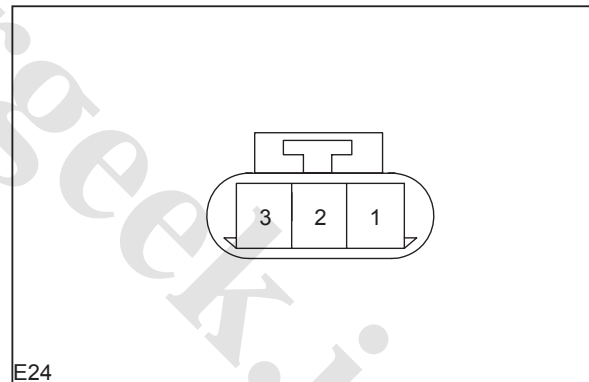


E23

E23 Pin Definition

Pin Number	Wire Width / Color	Function
1	0.50 W	Signal
2		NC
3	0.50 Y/B	Signal

Crankshaft Sensor Connector



E24

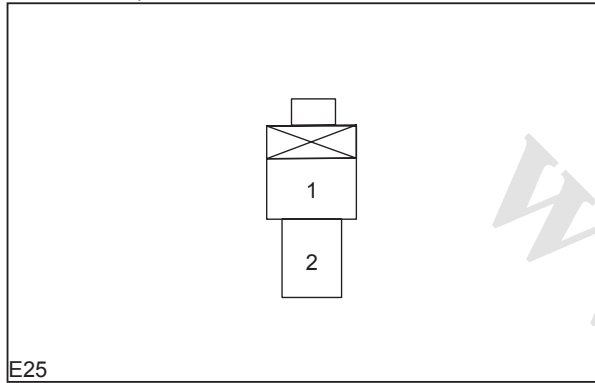
E24 Pin Definition

Pin Number	Wire Width / Color	Function
1	0.50 G	Signal-H
2	0.50 Bl	Signal-L
3	0.50 B	Ground

Harness Connector View

Engine Harness Connector (E--)

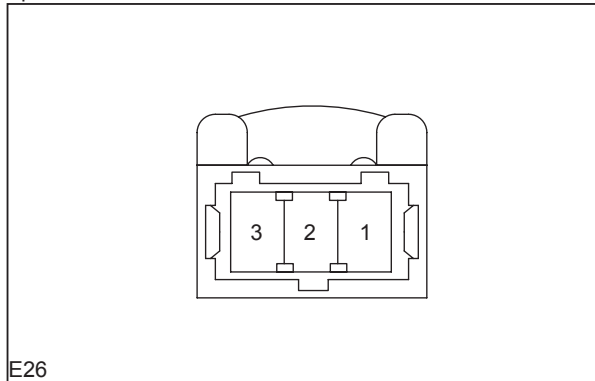
Reverse Lamp Switch Connector



E25 Pin Definition

Pin Number	Wire Width / Color	Function
1	0.50 G/R	Reverse lamp power
2	0.50 G/Br	Reverse lamp power

Speed Sensor Connector

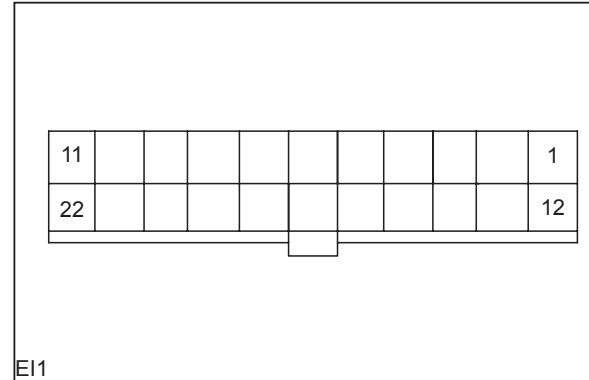


E26 Pin Definition

Pin Number	Wire Width / Color	Function
1	0.50 O/G	Control signal
2	0.85 B	Ground
3	0.85 BI/R	Power

Engine Harness Connector (E--)

Engine Harness to IP Harness Connector



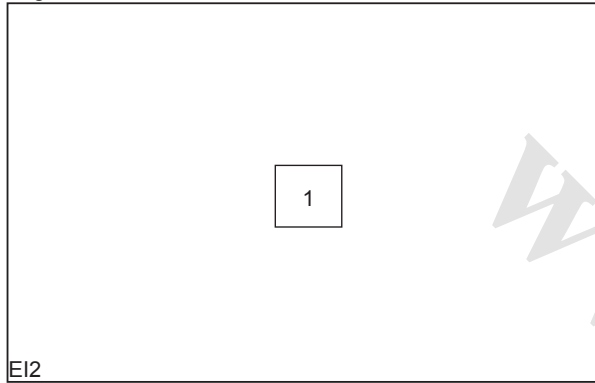
E11 Pin Definition

Pin Number	Wire Width / Color	Function
1	0.50 P/G	K-line
2		NC
3	0.50 G/R	Reverse lamp power
4	0.50 G/Br	Reverse lamp power
5	0.50 BI/B	CAN-H
6	0.50 BI/W	CAN-L
7	0.50 O/G	Speed signal
8	0.50 Gr	Rear oxygen sensor heating signal
9	0.50 B/O	Fuel pump relay control signal
10	0.50 G	Rear oxygen sensor signal
11	0.50 O/G	
12	0.50 W/BI	Brake signal
13	0.50 BI/R	Brake switch signal
14	0.50 G	Check engine
15	0.85 V	Charging indicator
16	0.50 Y/B	Oil pressure switch signal
17	0.50 Br	Coolant temperature signal
18		NC
19	0.50 W/BI	SVS signal
20	0.50 W/B	Engine speed signal
21	0.50 V/B	Rear oxygen sensor heating signal
22	0.50 P/W	IMMO signal

Harness Connector View

Engine Harness Connector (E--)

Engine Harness to IP Harness Connector

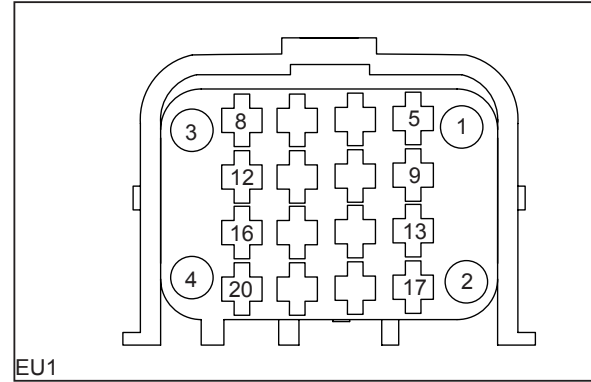


E12 Pin Definition

Pin Number	Wire Width / Color	Function
1	2.00 B/Y	Power

Engine Harness Connector (E--)

Engine Harness to Engine Compartment Harness Connector



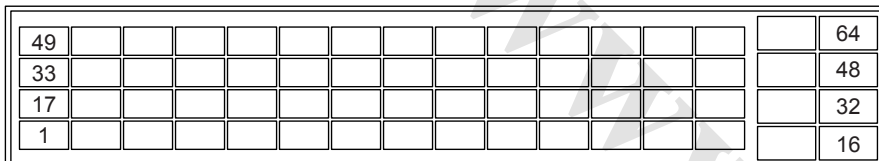
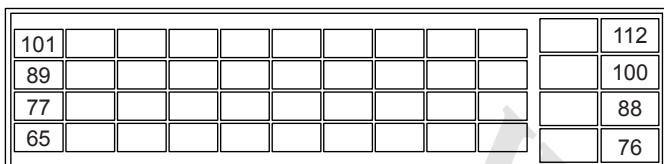
E12 Pin Definition

Pin Number	Wire Width / Color	Function
1	1.25 B/W	IG2 power
2		NC
3		NC
4	1.25 BI/R	Main relay power
5	0.85 Y	Main relay control
6	0.50 W/B	Weak acceleration sensor signal
7	0.50 W/G	Weak acceleration sensor signal
8	0.50 R/W	Weak acceleration sensor signal
9	0.50 W	A/C relay control signal
10	0.85 R	Alternator power
11	0.50 Y/W	A/C compressor power
12	0.50 BI/Y	High speed fan control signal
13	0.50 O/BI	Low speed fan control signal
14	0.50 R/G	A/C pressure switch signal
15	0.50 W/BI	Headlamp open signal
16	0.50 G	A/C pressure switch signal
17		NC
18		NC
19		NC
20		NC

Harness Connector View

Engine Harness Connector (E--)

ECU Connector



E01a

E01a Pin Definition

Pin Number	Wire Width / Color	Function
1	0.50 BI/B	CAN-H
2		NC
3		NC
4		NC
5	0.85 Y	Main relay power
6		NC
7	0.50 BI/W	APP Ground
8		NC
9		NC
10		NC
11		NC
12		NC
13		NC
14	0.50 BI/Y	Head lamp open signal
15	1.25 BI/R	Power
16	1.25 BI/R	Power
17	0.50 BI/W	CAN-L
18		NC
19		NC
20	0.85 R	Battery power
21	0.85 G	Rear oxygen sensor control signal
22		NC
23	0.50 G/B	Brake signal
24	0.50 G	A/C pressure switch signal
25	0.50 G/W	Brake switch signal
26	0.50 O/G	Speed sensor signal
27		NC

Engine Harness Connector (E--)

28	0.50 Gr/V	A/C pressure switch signal
29	0.50 BI/G	Power steering switch signal
30	0.50 Gr	APP signal
31	0.50 Gr/R	High speed fan signal
32		NC
33		NC
34	0.50 G/W	Speed signal output
35	0.85 B/W	Power
36	0.50 R/W	APP Powerl
37	0.50 O/W	APP Power
38		NC
39		NC
40		NC
41	0.85 B/O	Fuel pump control signal
42		NC
43	0.85 V/B	Rear oxygen Ground
44		NC
45	0.50 R/Y	APP signal
46		
47		NC
48	0.85 Gr	Rear oxygen sensor heating signal
49		NC
50		NC
51		NC
52		NC
53		NC
54		NC
55		NC
56	0.50 Gr/O	Low speed fan signal
57		NC
58	0.50 Gr/BI	A/C relay control signal
59	0.50 W/B	APP Ground
60		NC
61		NC
62		NC
63	0.85 B	Ground
64	0.85 B	Ground
65		NC
66		NC
67	0.85 Y/R	Cylinder 2 injector signal
68	0.85 O/B	Cylinder 1 injector signal
69		NC
70		NC
71	0.85 Y/W	VVT valve signal
72	0.85 P/Y	Cylinder 3 injector signal
73	0.85 B/R	Front oxygen sensor heating signal

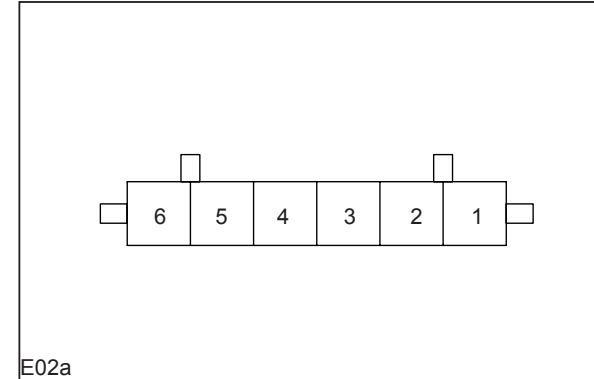
Harness Connector View

Engine Harness Connector (E--)

74	0.85 G/Y	Cylinder 4 injector signal
75	0.85 P	TPS signal
76	2.00 Br	Cylinder 4 ignition coil signal
77	0.50 P/W	TPS signal
78	0.50 BI/G	TPS signal
79		NC
80	0.85 Br/W	Front oxygen Ground
81		NC
82		NC
83		NC
84		NC
85	0.50 Y/R	Ground
86	0.85 V	TPS power-
87	0.50 R/G	TPS signal
88	2.00 P/G	Cylinder 2 ignition coil signal
89	0.50 G	KS signal-
90	0.50 G/B	KS signal+
91	0.50 P/B	MAP signal
92		NC
93	0.50 R/BI	CMP signal
94	0.85 W/G	Canister solenoid signal
95	0.50 G/W	CMP signal
96	0.50 P/G	CKP signal H
97	0.50 G/R	CKP signal L
98	0.50 Y/G	CMP signal
99	2.00 G/W	Cylinder 3 ignition coil signal
100	2.00 G/R	Cylinder 1 ignition coil signal
101	0.50 Y/B	ECT signal
102	0.50 BI	IAT signal
103		NC
104	0.85 O/Y	Front oxygen sensor control signal
105		NC
106		NC
107	0.85 R/B	TPS power+
108		NC
109	0.50 Y/BI	MAP/IAT signal
110		NC
111	0.85 B	Ground
112	0.85 B	Ground

Engine Harness Connector (E--)

Accelerator Pedel Position Sensor Connector

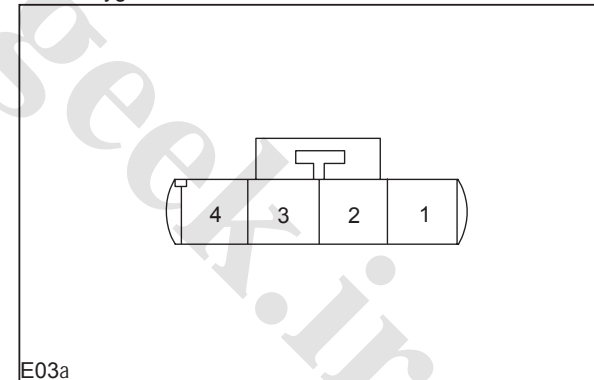


E02a

E02a Pin Definition

Pin Number	Wire Width / Color	Function
1	0.50 Gr	Signal
2	0.50 W/B	Signal
3	0.50 R/Y	Signal
4	0.50 BI/W	Signal
5	0.50 O/BI	Signal
6	0.50 R/W	Signal

Front Oxygen Sensor Connector



E03a

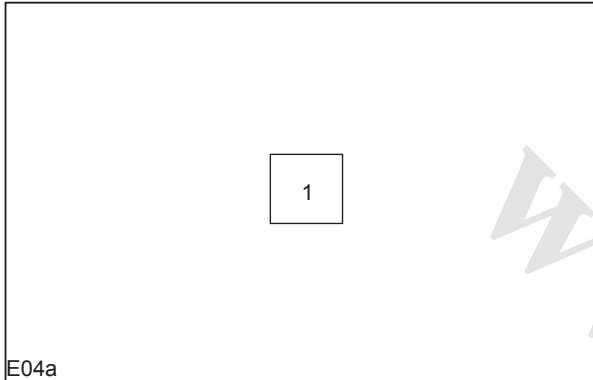
E03a Pin Definition

Pin Number	Wire Width / Color	Function
1	0.85 BI/Y	Power
2	0.85 B/R	Control signal
3	0.85 O/Y	Heating signal
4	0.85 Br/W	Heating signal

Harness Connector View

Engine Harness Connector (E--)

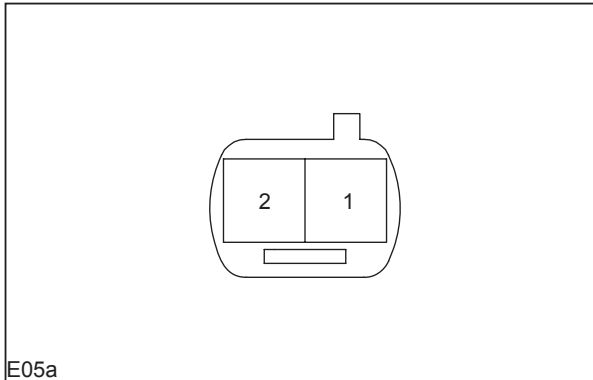
Power Steering Switch Connector



E04a Pin Definition

Pin Number	Wire Width / Color	Function
1	0.50 BI/G	Signal

Intake VVT Valve Connector

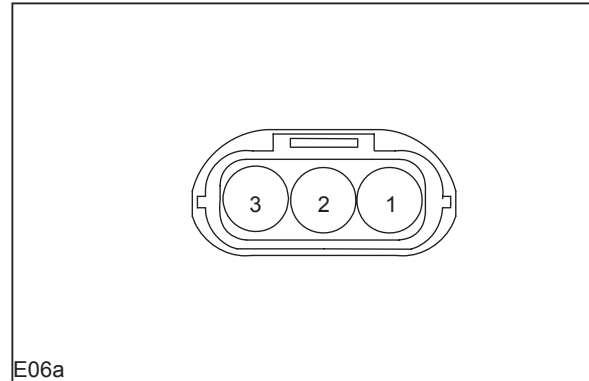


E05a Pin Definition

Pin Number	Wire Width / Color	Function
1	0.50 Y/W	Signal
2	0.85 BI/R	Power

Engine Harness Connector (E--)

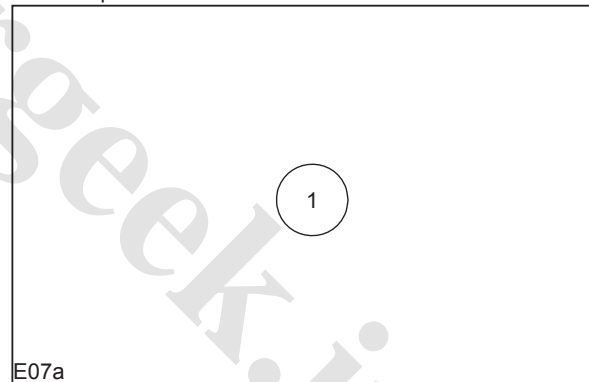
Alternator Connector



E06a Pin Definition

Pin Number	Wire Width / Color	Function
1	1.25 R	Battery power
2	1.25 B/W	IG1 power
3	0.5 W/R	Charging indicator signal

A/C Compressor Switch Connector



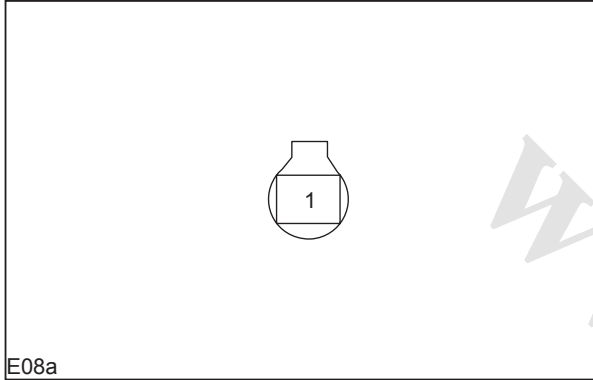
E07a Pin Definition

Pin Number	Wire Width / Color	Function
1	1.25 R/V	Power

Harness Connector View

Engine Harness Connector (E--)

Oil Pressure Switch Connector

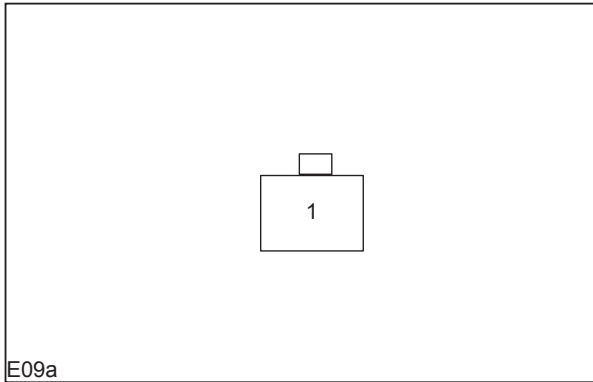


E08a

E08a Pin Definition

Pin Number	Wire Width / Color	Function
1	0.50 Y/B	Signal

Starter Connector



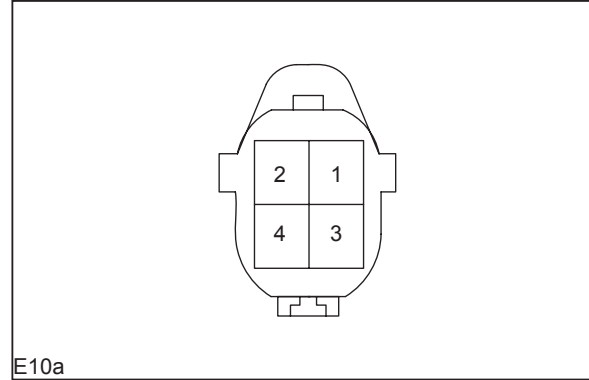
E09a

E09a Pin Definition

Pin Number	Wire Width / Color	Function
1	1.25 B/Y	Power

Engine Harness Connector (E--)

Intake Air Temperature/Pressure Sensor Connector

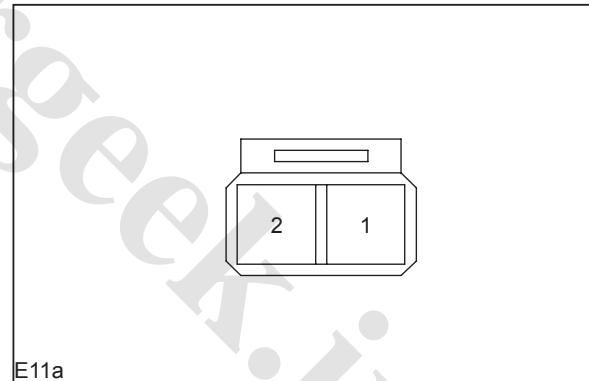


E10a

E10a Pin Definition

Pin Number	Wire Width / Color	Function
1	0.50 BI	MAP/IAT signal
2	0.50 P/B	MAP/IAT signal
3	0.50 Y/R	MAP/IAT signal
4	0.50 Y/BI	MAP/IAT signal

Knock Sensor Connector



E11a

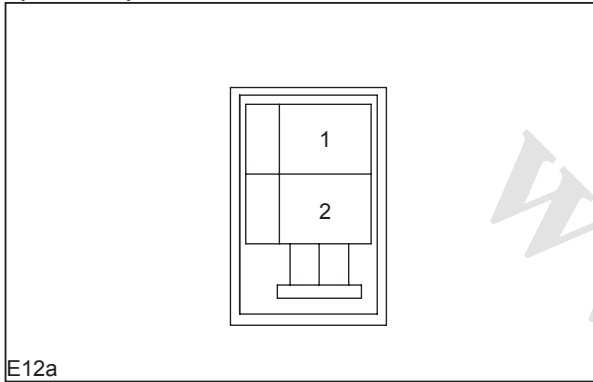
E11a Pin Definition

Pin Number	Wire Width / Color	Function
1	0.50 B/B	Signal H
2	0.50 B/Gr	Signal L

Harness Connector View

Engine Harness Connector (E--)

Cylinder 1 Injector Connector

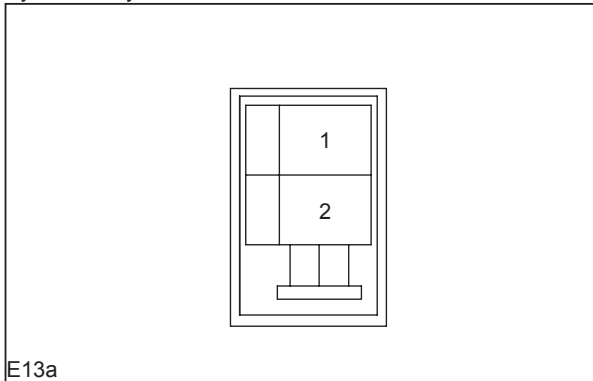


E12a

E12a Pin Definition

Pin Number	Wire Width / Color	Function
1	0.85 BI/R	Power
2	0.85 O/B	Signal

Cylinder 2 Injector Connector



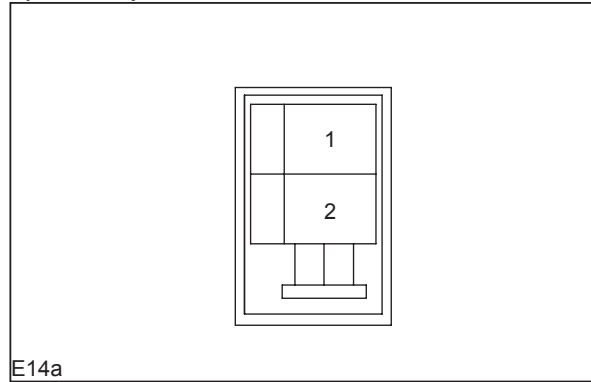
E13a

E13a Pin Definition

Pin Number	Wire Width / Color	Function
1	0.85 BI/R	Power
2	0.85 Y/R	Signal

Engine Harness Connector (E--)

Cylinder 3 Injector Connector

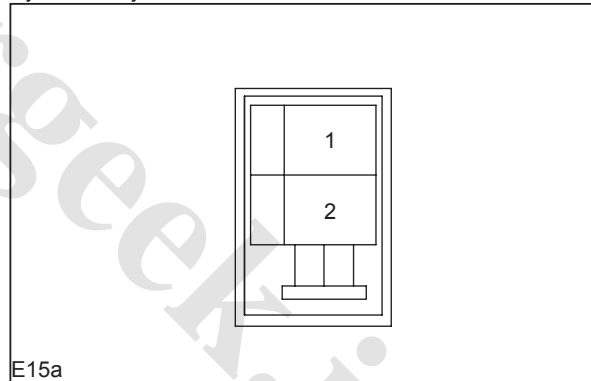


E14a

E14a Pin Definition

Pin Number	Wire Width / Color	Function
1	0.85 BI/R	Power
2	0.85 P/Y	Signal

Cylinder 4 Injector Connector



E15a

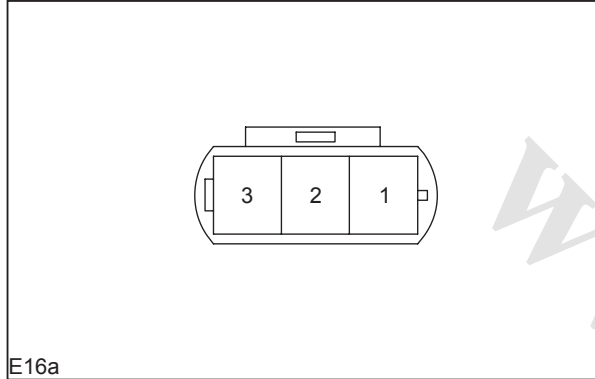
E15a Pin Definition

Pin Number	Wire Width / Color	Function
1	0.85 BI/R	Power
2	0.85 G/Y	Signal

Harness Connector View

Engine Harness Connector (E--)

Cylinder 1 Ignition Coil Connector

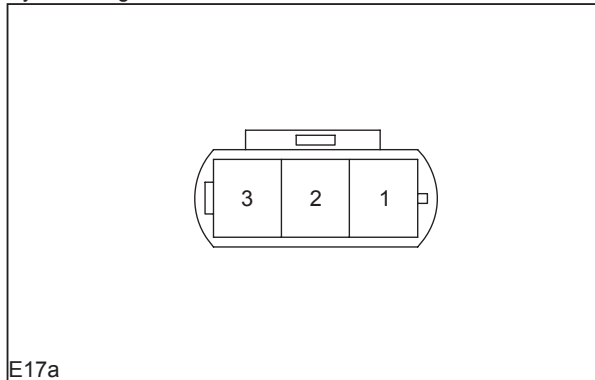


E16a

E16a Pin Definition

Pin Number	Wire Width / Color	Function
1	2.00 G/R	Control signal
2	0.85 BI/R	Power
3	0.85 B	Ground

Cylinder 2 Ignition Coil Connector



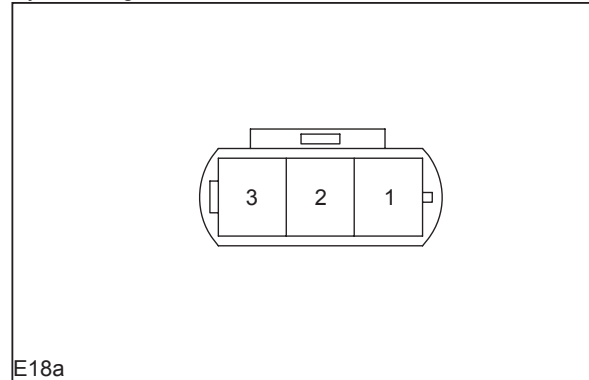
E17a

E17a Pin Definition

Pin Number	Wire Width / Color	Function
1	2.00 P/G	Control signal
2	0.85 BI/R	Power
3	0.85 B	Ground

Engine Harness Connector (E--)

Cylinder 3 Ignition Coil Connector

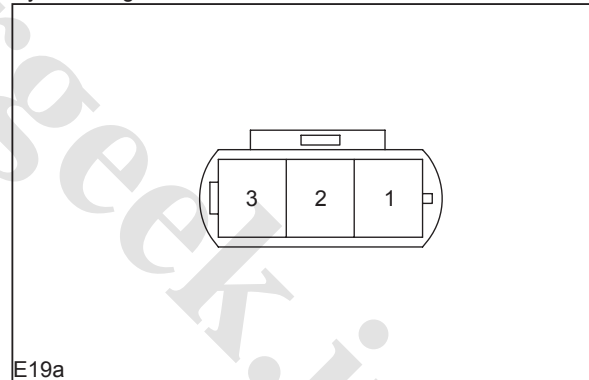


E18a

E18a Pin Definition

Pin Number	Wire Width / Color	Function
1	2.00 G/W	Control signal
2	0.85 BI/R	Power
3	0.85 B	Ground

Cylinder 4 Ignition Coil Connector



E19a

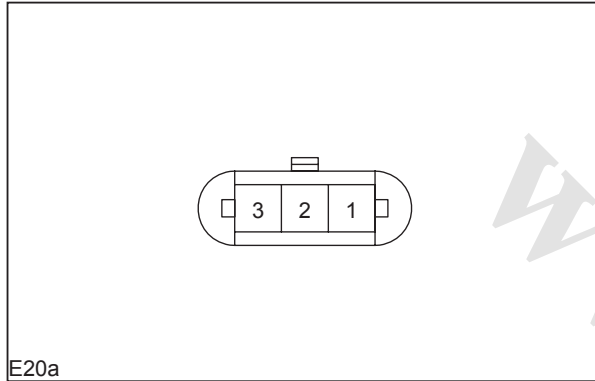
E19a Pin Definition

Pin Number	Wire Width / Color	Function
1	2.00 Br	Control signal
2	0.85 BI/R	Power
3	0.85 B	Ground

Harness Connector View

Engine Harness Connector (E--)

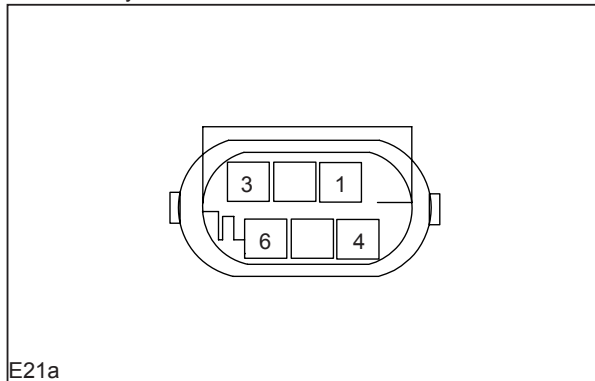
Intake Canshaft Sensor Connector



E20a Pin Definition

Pin Number	Wire Width / Color	Function
1	0.50 Y/G	Signal
2	0.50 R/BI	Signal
3	0.50 G/W	Signal

Electronically Controlled Throttle Valve Connector

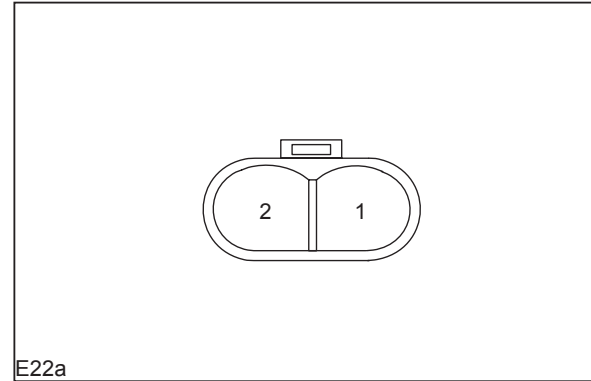


E21a Pin Definition

Pin Number	Wire Width / Color	Function
1	0.85 P	Signal
2	0.50 BI/G	Signal
3	0.50 W/P	Signal
4	0.85 R/G	Signal
5	0.50 V	Power-
6	0.85 R/B	Power+

Engine Harness Connector (E--)

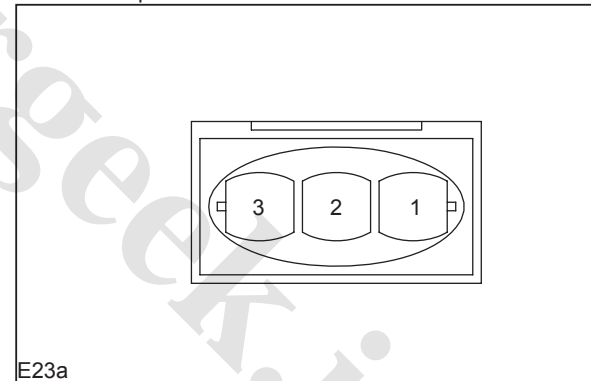
Canister Solenoid valve Connector



E22a Pin Definition

Pin Number	Wire Width / Color	Function
1	0.85 W/G	Signal
2	0.85 BI/R	Power

Coolant Temperature Sensor Connector



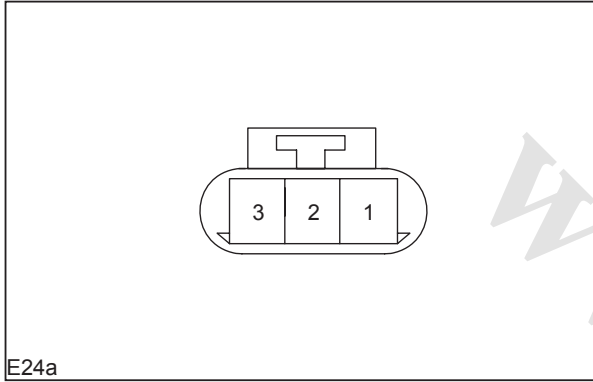
E23a Pin Definition

Pin Number	Wire Width / Color	Function
1	0.50 Y/B	Signal
2		NC
3	0.50 Y/R	Signal

Harness Connector View

Engine Harness Connector (E--)

Crankshaft Sensor Connector

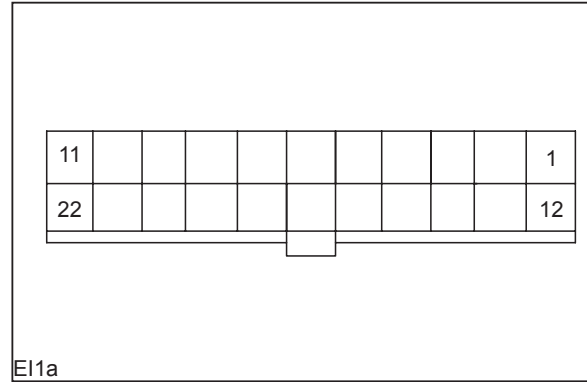


E24a Pin Definition

Pin Number	Wire Width / Color	Function
1	0.50 B	Ground
2	0.85 G/R	Signal L
3	0.85 P/G	Signal H

Engine Harness Connector (E--)

Engine Harness to IP Harness Connector



E11a

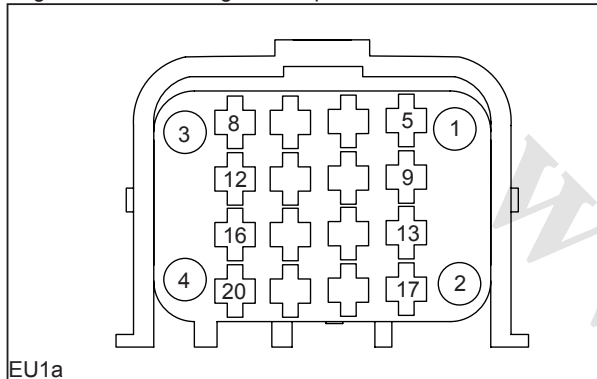
E11a Pin Definition

Pin Number	Wire Width / Color	Function
1		NC
2		NC
3		NC
4		NC
5	0.50 BI/W	CAN-L
6	0.50 BI/B	CAN-H
7	0.50 O/G	Speed signal
8	0.50 Gr	Rear oxygen sensor heating signal
9	0.50 V/B	Rear oxygen sensor heating signal
10	0.50 G	Rear oxygen sensor signal
11		NC
12	0.50 G/B	Brake switch signal
13	0.50 G/W	Brake switch signal
14		NC
15		NC
16		NC
17		NC
18		NC
19		NC
20		NC
21	0.50 W/R	Charging indicator
22	0.50 Y/B	Oil pressure switch signal

Harness Connector View

Engine Harness Connector (E--)

Engine Harness to Engine Compartment Harness Connector



EU1a

EU1a Pin Definition

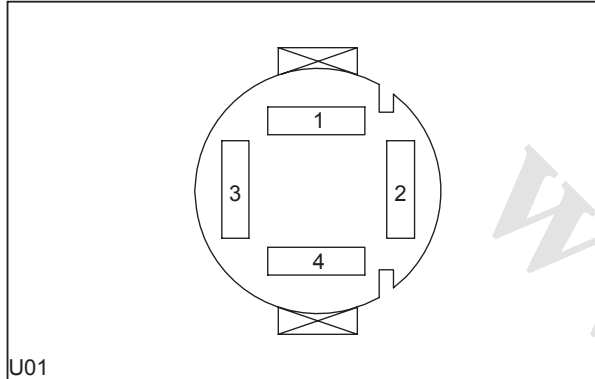
Pin Number	Wire Width / Color	Function
1	2.00 BI/R	Power
2	2.00 B/Y	Starter motor power
3		NC
4		NC
5	0.50 Y	Main relay control signal
6	0.50 Gr/R	High speed fan control signal
7	0.50 Gr/O	Low speed fan control signal
8	0.50 Gr/BI	A/C relay control signal
9	0.50 Gr/Y	Fuel pump relay control signal
10	0.85 R	Battery power
11	0.50 R/V	A/C compressor switch signal
12	0.85 B/W	IG2 power
13	0.50 Gr/V	A/C pressure switch signal
14	0.50 G	A/C pressure switch signal
15	0.50 BI/Y	Headlamp open signal
16	0.85 BI/R	Power
17	0.50 BI/Y	Front oxygen sensor power
18	0.50 G/W	Engine speed signal
19		NC

Engine Harness Connector (E--)

Harness Connector View

Engine Compartment Harness Connector (U--)

Fan Connector



U01

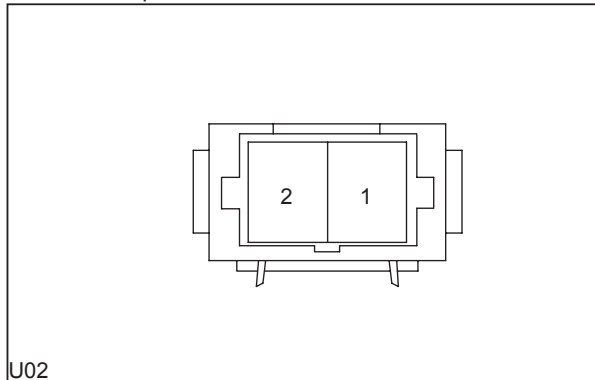
U01 Pin Definition(Deliphi)

Pin Number	Wire Width / Color	Function
1	3.00 B	Ground
2	3.00 R/V	Adjustment power
3	3.00 R/W	High speed power
4	3.00 V/R	Low speed power

U01 Pin Definition(UE)

Pin Number	Wire Width / Color	Function
1	3.00 V	High speed power
2	3.00 R	Low speed power
3	3.00 R/V	Adjustment power
4	3.00 B	Ground

Turn Left Lamp Connector



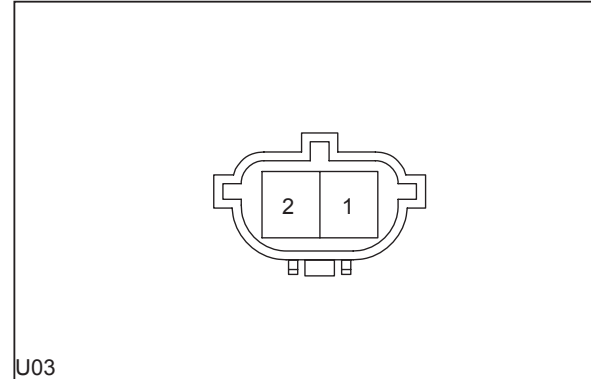
U02

U02 Pin Definition

Pin Number	Wire Width / Color	Function
1	0.50 G/R	Power
2	0.50 B	Ground

Engine Compartment Harness Connector (U--)

LF Fog Lamp Connector

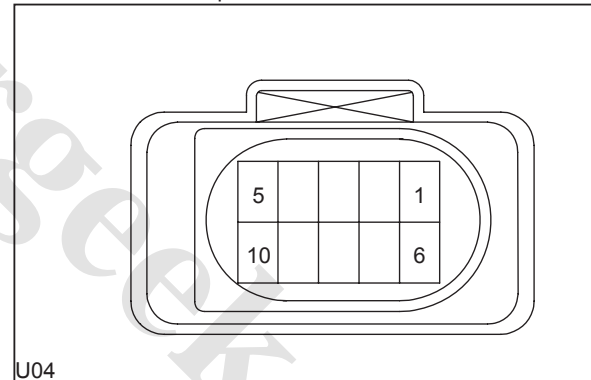


U03

U03 Pin Definition

Pin Number	Wire Width / Color	Function
1	0.85 BI/B	Power
2	0.85 B	Ground

LF Combination Lamp Connector



U04

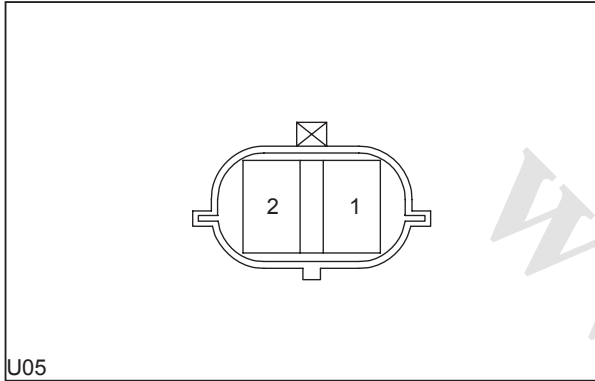
U04 Pin Definition

Pin Number	Wire Width / Color	Function
1		NC
2		NC
3	0.50 B	Ground
4	0.50 BI/Gr	Low beam lamp adjustment signal
5	0.50 BI/Y	Low beam lamp adjustment signal
6	0.50 BI	Width lamp power
7	0.85 BI/W	High beam lamp power
8	1.25 B	Ground
9	0.85 BI/Y	Low beam lamp power
10	0.50 BI	Width lamp power

Harness Connector View

Engine Compartment Harness Connector (U--)

LF Wheel Speed Sensor Connector

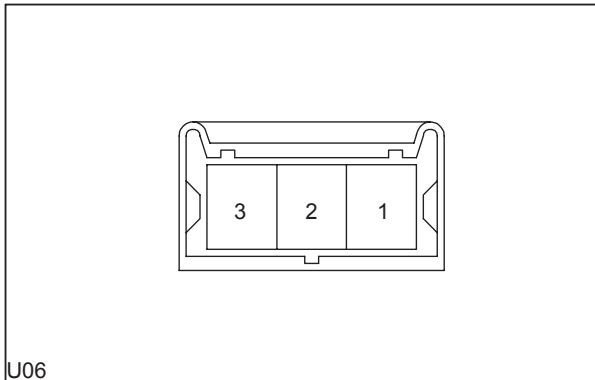


U05

U05 Pin Definition

Pin Number	Wire Width / Color	Function
1	0.50 Br/Gr	LF WSS signal
2	0.50 Br/Bl	LF WSS signal

Weak Acceleration Sensor Connector



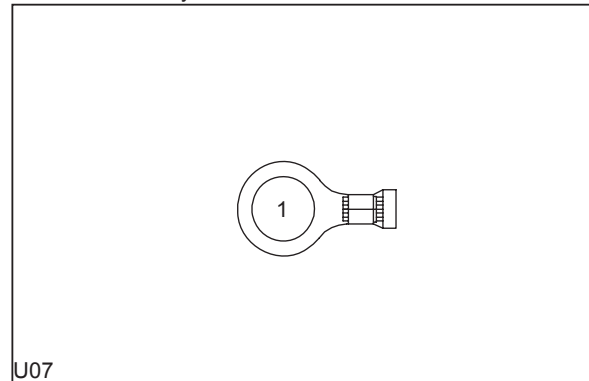
U06

U06 Pin Definition

Pin Number	Wire Width / Color	Function
1	0.50 W/G	Signal
2	0.50 R/B	Signal
3	0.50 R	Signal

Engine Compartment Harness Connector (U--)

IP Fuse and Relay Box Power Connector

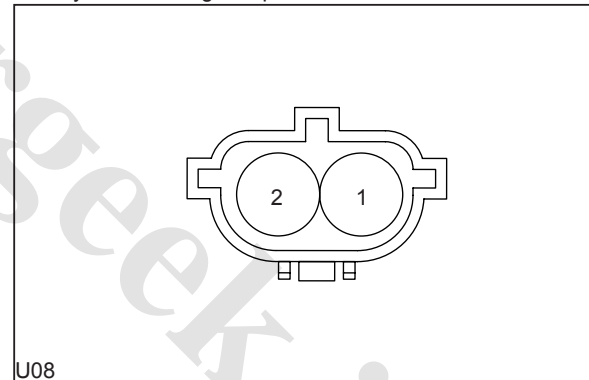


U07

U07 Pin Definition

Pin Number	Wire Width / Color	Function
1	15.00 R/Bl	Power

LF Daytime Running Lamp Connector



U08

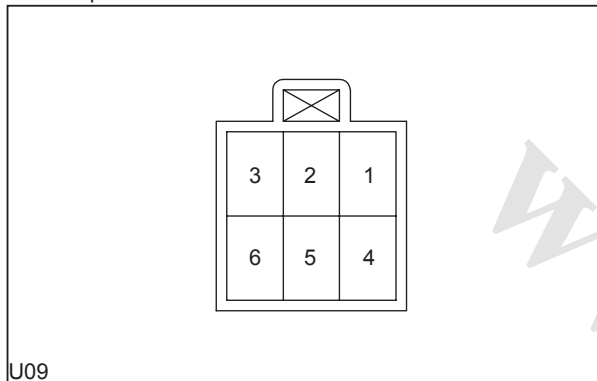
U08 Pin Definition

Pin Number	Wire Width / Color	Function
1	0.50 B	Ground
2	0.85 Bl/B	Power

Harness Connector View

Engine Compartment Harness Connector (U--)

Front Wiper Motor Connector

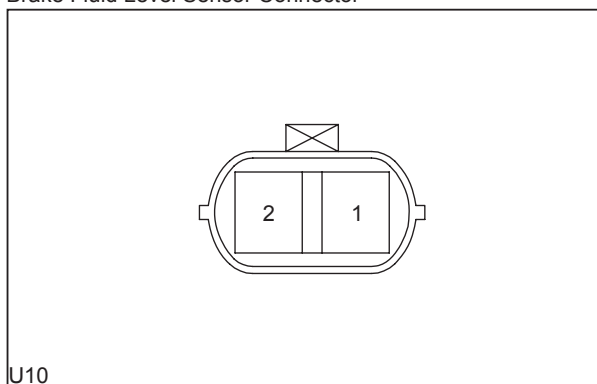


U09

U09 Pin Definition

Pin Number	Wire Width / Color	Function
1	1.25 P/R	Power
2	1.25 P/Y	Return power
3		NC
4	1.25 P/BI	High speed power
5	1.25 P/G	Low speed power
6	1.25 B	Ground

Brake Fluid Level Sensor Connector



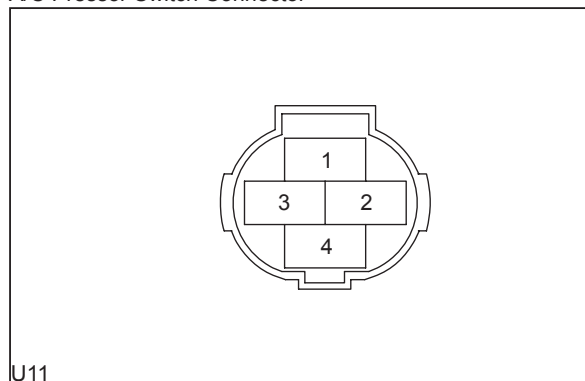
U10

U10 Pin Definition

Pin Number	Wire Width / Color	Function
1	0.50 B	Ground
2	0.50 BI/R	Signal

Engine Compartment Harness Connector (U--)

A/C Pressor Switch Connector



U11

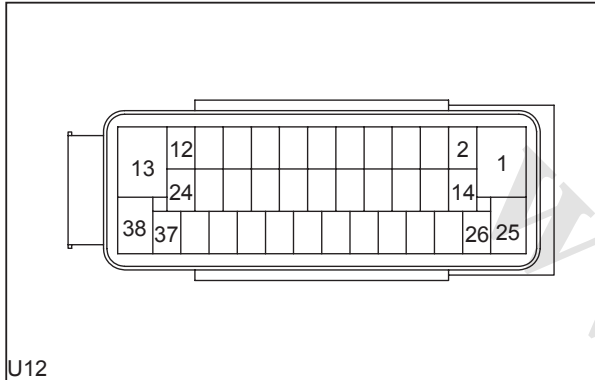
U11 Pin Definition

Pin Number	Wire Width / Color	Function
1	0.50 Gr/B	(Delphi)
1	0.50 R/G	(UE)
2	0.50 G	
3	0.50 B	Ground
4	0.50 Gr/P	

Harness Connector View

Engine Compartment Harness Connector (U--)

ABS HCU Connector



U12

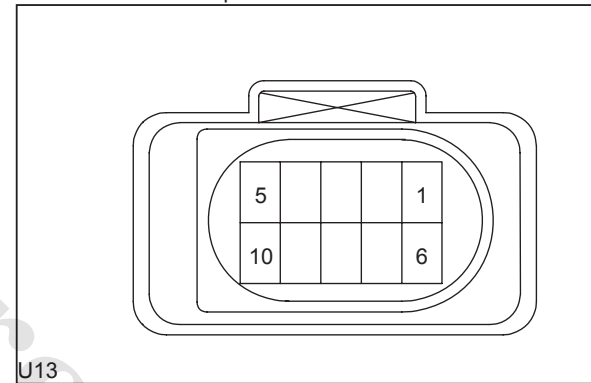
U12 Pin Definition

Pin Number	Wire Width / Color	Function
1	5.00 R	Battery power
2		NC
3		NC
4		NC
5		NC
6	0.50 BI/W	K-line
7	0.50 BI/B	CAN-H
8	0.50 BI/W	CAN-L
9	0.50 Br/BI	LF WSS signal
10	0.50 Br/B	RF WSS signal
11	0.50 Br/P	LR WSS signal
12	0.50 Br/W	RR WSS signal
13	5.00 B	Ground
14		NC
15	0.50 G/W	Brake signal
16		NC
17	0.50 R/BI	ABS fault indicator
18	0.50 Br	IG2 power
19		NC
20		NC
21	0.50 Br/Gr	LF WSS signal
22	0.50 Br/O	RF WSS signal
23	0.50 Br/G	LR WSS signal
24	0.50 Br/Y	RR WSS signal
25	3.00 BI	Battery power
26		NC
27		NC
28		NC
29		NC

Engine Compartment Harness Connector (U--)

Pin Number	Wire Width / Color	Function
30		NC
31		NC
32		NC
33		NC
34		NC
35		NC
36		NC
37		NC
38	3.00 B	Ground

RF Combination Lamp Connector



U13

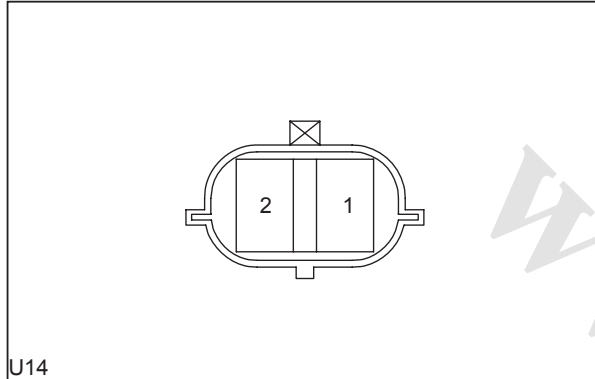
U13 Pin Definition

Pin Number	Wire Width / Color	Function
1		NC
2		NC
3	0.50 B	Ground
4	0.50 BI/Gr	Low beam lamp adjustment signal
5	0.50 BI/Y	Low beam lamp adjustment signal
6	0.50 BI	Width lamp power
7	0.85 BI/W	High beam lamp power
8	1.25 B	Ground
9	0.85 BI/Y	Low beam lamp power
10	0.50 BI	Width lamp power

Harness Connector View

Engine Compartment Harness Connector (U--)

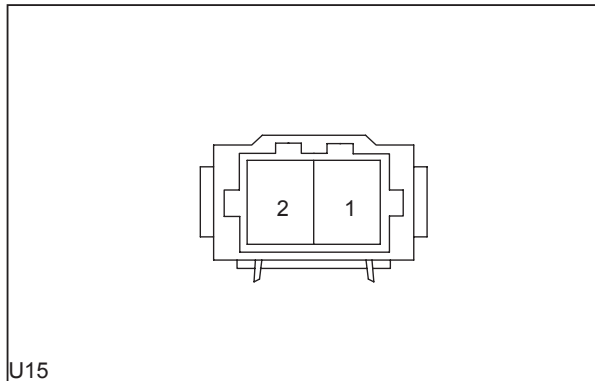
RF Wheel Speed Sensor Connector



U14 Pin Definition

Pin Number	Wire Width / Color	Function
1	0.50 Br/O	RF WSS signal
2	0.50 Br/B	RF WSS signal

Front/Rear Washer Motor Connector

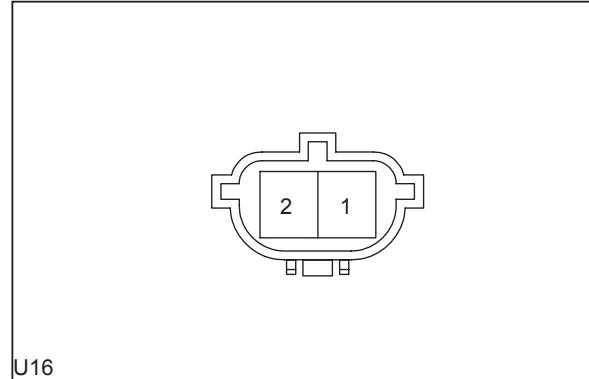


U15 Pin Definition

Pin Number	Wire Width / Color	Function
1	0.85 P/Gr	Signal
2	0.85 P/Br	Signal

Engine Compartment Harness Connector (U--)

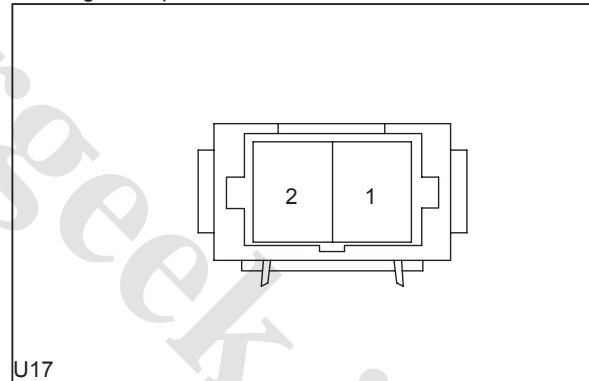
RF Fog Lamp Connector



U16 Pin Definition

Pin Number	Wire Width / Color	Function
1	0.85 Bl/B	Power
2	0.85 B	Ground

Turn Right Lamp Connector



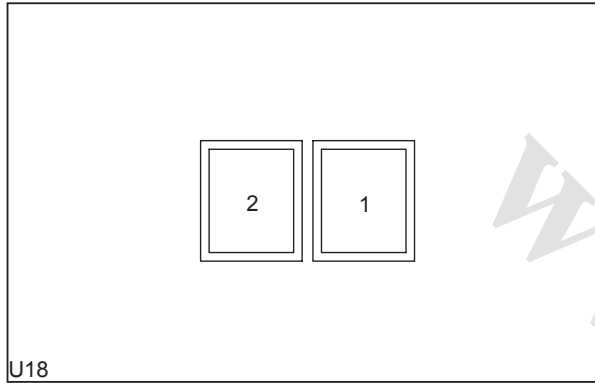
U17 Pin Definition

Pin Number	Wire Width / Color	Function
1	0.50 B	Ground
2	0.50 G/O	Power

Harness Connector View

Engine Compartment Harness Connector (U--)

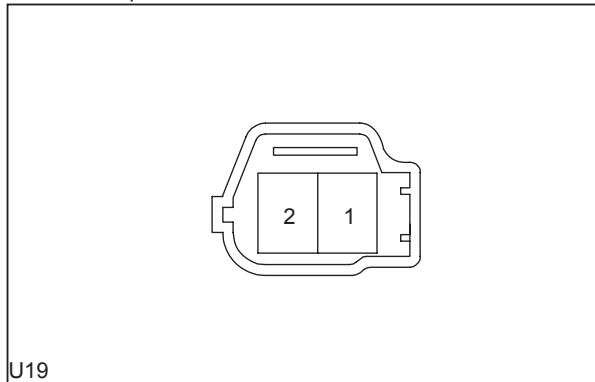
Horn Connector



U18 Pin Definition

Pin Number	Wire Width / Color	Function
1	1.25 P/W	Power
2	0.85 B	Ground

Outside Temperature Sensor Connector

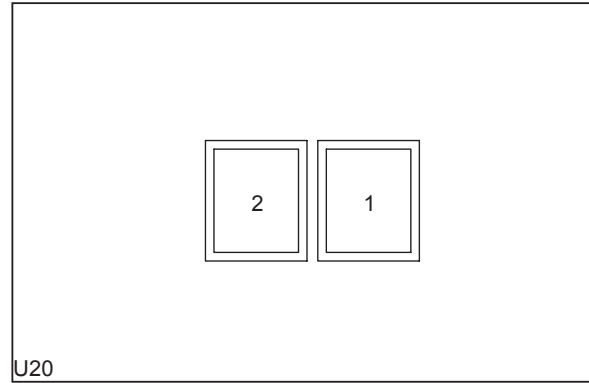


U19 Pin Definition

Pin Number	Wire Width / Color	Function
1	0.50 B	Ground
2	0.50 G/W	Outside temperature sensor signal

Engine Compartment Harness Connector (U--)

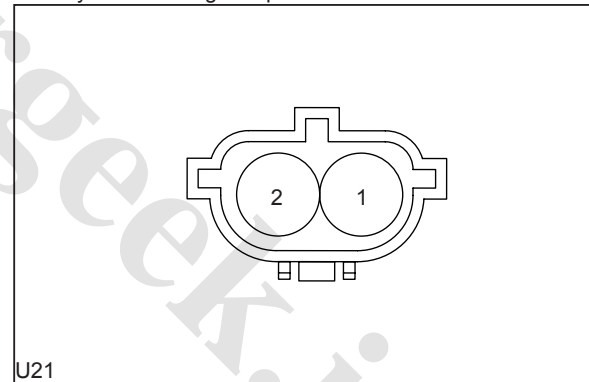
Horn Connector



U20 Pin Definition

Pin Number	Wire Width / Color	Function
1	1.25 P/W	Power
2	0.85 B	Ground

RF Daytime Running Lamp Connector



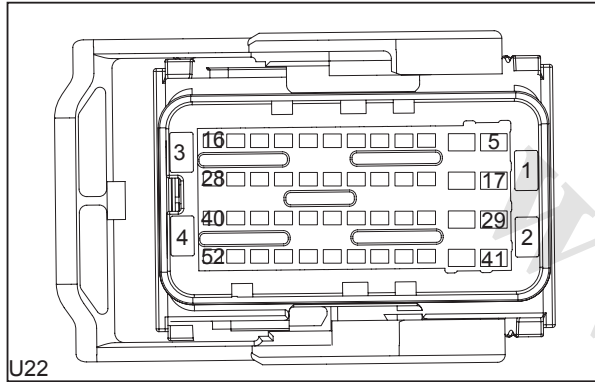
U21 Pin Definition

Pin Number	Wire Width / Color	Function
1	0.50 B	Ground
2	0.85 B/B	Power

Harness Connector View

Engine Compartment Harness Connector (U--)

TCU Connector



U22 Pin Definition

Pin Number	Wire Width / Color	Function
1		NC
2		NC
3		NC
4		NC
5	0.85 B	Ground
6	0.50 Y	Battery power
7	0.50 V/B	IG2 power
8	0.50 Br	Drive model sensor signal
9	0.50 G/W	Engine speed signal input
10	0.50 P/Y	Speed sensor 1 signal
11		NC
12		NC
13		NC
14		NC
15	0.50 O	Oil temperature sensor signal
16	0.50 BI/W	CAN-L
17	0.50 BI/Y	Solenoids assembly signal
18		NC
19	0.50 W	Solenoids assembly signal
20	0.50 B	Ground
21	0.50 BI	Drive model sensor signal
22	0.50 G	Oil temperature sensor signal
23		NC
24	0.50 Y/Gr	Brake signal
25		NC
26		NC
27	0.50 Gr/P	Drive model sensor signal
28	0.50 BI/B	CAN-H
29	0.50 V/B	Reverse lamp signal

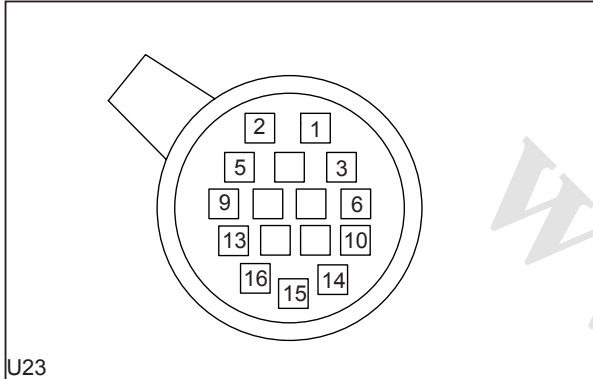
Engine Compartment Harness Connector (U--)

Pin Number	Wire Width / Color	Function
30		NC
31	0.50 Y/Gr	Solenoids assembly signal
32	0.50 R	IG2 power
33	0.50 BI/V	Drive model sensor signal
34		NC
35		NC
36	0.50 G/Br	Oil pressure sensor signal
37	0.50 R/G	Shift mechanism signal
38	0.50 Y/P	Shift mechanism signal
39		NC
40	0.50 BI/W	CVT fault signal
41	0.85 B	Ground
42	0.50 B/O	Starting signal
43	0.50 P/Br	Solenoids assembly signal
44		NC
45	0.50 Br/W	Drive model sensor signal
46	0.50 BI/G	Oil pressure sensor signal
47	0.50 BI/Br	Speed sensor 2 signal
48		NC
49	0.50 G/Y	Snow model switch
50	0.50 V/B	Shift mechanism signal
51		NC
52		NC

Harness Connector View

Engine Compartment Harness Connector (U--)

Transmission Harness Connector



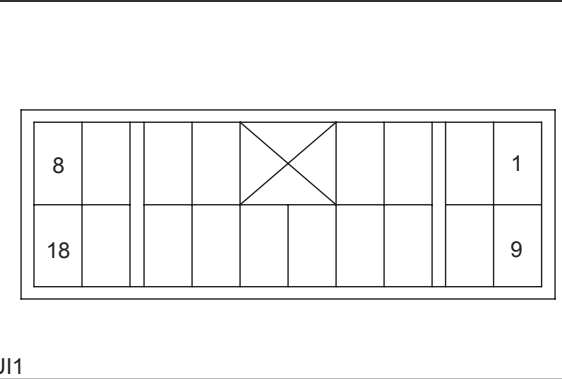
U23

U23 Pin Definition

Pin Number	Wire Width / Color	Function
1	0.50 W	Solenoids assembly signal
2	0.85 BI/Y	Solenoids assembly signal
3	0.50 G	Oil temperature sensor signal
4	0.50 Y/Gr	Solenoids assembly signal
5	0.50 P/Br	Solenoids assembly signal
6	0.50 BI	Drive model sensor signal
7	0.50 G/Br	Oil pressure sensor signal
8	0.50 O	Oil temperature sensor signal
9	0.50 Gr/P	Drive model sensor signal
10	0.50 B	Ground
11	0.50 P/Y	Speed sensor 1 signal
12	0.50 BI/Br	Speed sensor 2 signal
13	0.50 BI/G	Oil pressure sensor signal
14	0.50 BI/V	Drive model sensor signal
15	0.50 Br/w	Drive model sensor signal
16	0.50 Br	Drive model sensor signal

Engine Compartment Harness Connector (U--)

Front Compartment Harness to IP Harness Connector



U11

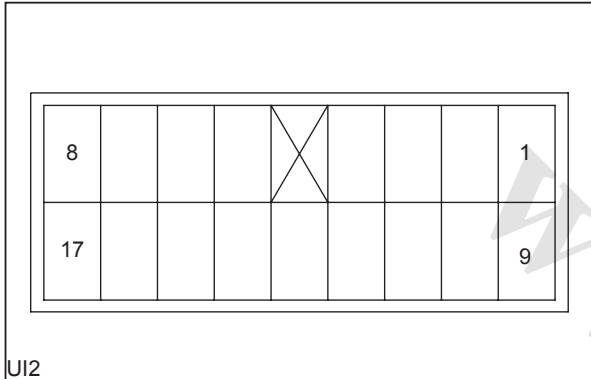
U11 Pin Definition

Pin Number	Wire Width / Color	Function
1	0.50 Y/R	IG2 power
2	0.50 G/B	FS45 power output(Delphi)
2	0.50 G/BI	FS45 power output(UE)
3	0.50 Y/P	Shift mechanism signal
4	0.50 R/G	Shift mechanism signal
5		NC
6	0.50 R/BI	ABS fault indicator
7	0.50 Y/Gr	Brake signal
8	0.50 G/W	Brake signal
9	0.50 P/B	Horn control signal
10	0.50 BI	Width lamp power
11	0.50 V	Rear Oxygen Sensor(Delphi)
11	2.00 B/Y	ST power(UE)
12	0.50 BI/B	CAN-H
13	0.50 BI/W	CAN-L
14	0.50 Y	Battery power
15	0.50 BI/Gr	Low beam lamp adjustment signal
16	0.50 BI/G	Fog lamp control signal
17	2.00 B/W	IG2 power(Delphi)
17	2.00 R/BI	IG1 power(UE)

Harness Connector View

Engine Compartment Harness Connector (U--)

Front Compartment Harness to IP Harness Connector



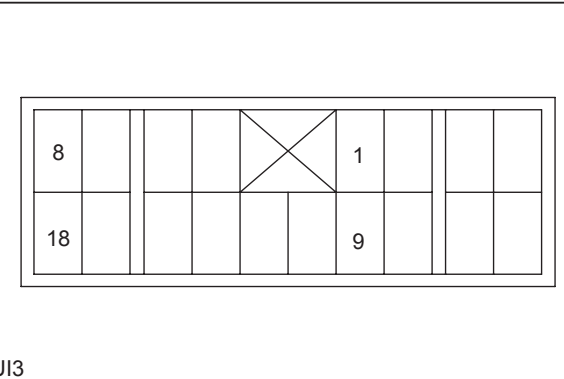
UI2

UI2 Pin Definition

Pin Number	Wire Width / Color	Function
1	2.00 P/BI	Front wiper power
2	1.25 P/Y	Front wiper return power
3	2.00 P/G	Front wiper high speed power
4	0.50 V	Reverse lamp power(CVT)
5	0.50 BI	Width lamp power control signal
6	0.50 BI/R	Oil pressure signal indicator
7	0.50 BI/Y	Low beam lamp adjustment signal
8	0.50 BI/V	High beam lamp control signal
9	0.50 BI/Br	Overtank lamp control signal
10		NC
11	0.50 BI/O	Low beam lamp control signal
12		NC
13	1.25 W	Power
14		NC
15	0.50 BI/W	High beam lamp indicator
16	0.50 O	Rear oxygen sensor power
17	2.00 P/R	Power

Engine Compartment Harness Connector (U--)

Front Compartment Harness to IP Harness Connector



UI3

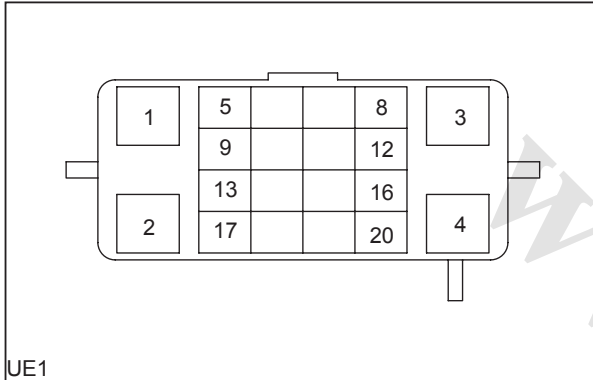
UI3 Pin Definition

Pin Number	Wire Width / Color	Function
1	0.50 G/R	Reverse lamp power(CVT)
2	1.25 R/BI	Fuel pump power
3	0.50 Br/G	LR WSS signal
4	0.50 Br/P	LR WSS signal
5	0.50 G/B	Fuel pump relay control signal
6	0.50 G/R	Left side turn lamp power
7	0.85 B/O	Fuel pump control
8	0.50 V/B	Shift mechanism signal
9	0.50 G/W	Outside temperature sensor signal
10	0.85 P/Gr	Front washer control signal
11	0.50 Br/Y	RR WSS signal
12	0.50 Br/W	RR WSS signal
13	0.85 P/Br	Front washer control signal
14	0.50 Gr/P	A/C switch signal
15		NC
16	0.50 G/O	Right side turn lamp power
17	0.50 BI/B	rear fog lamp control signal
18	0.50 G/Y	Snow model switch signal

Harness Connector View

Engine Compartment Harness Connector (U--)

Engine Compartment Harness to Engine Harness Connector

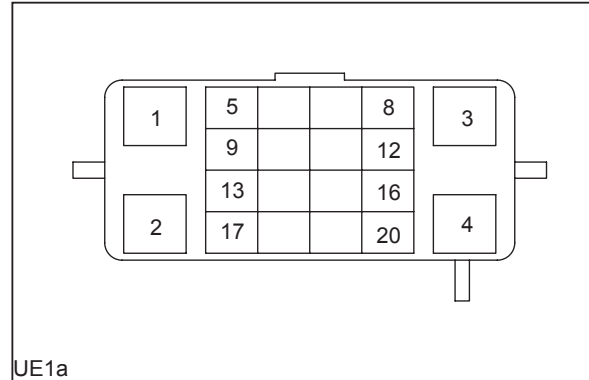


UE1 Pin Definition

Pin Number	Wire Width / Color	Function
1	1.25 B/W	IG2 power
2		NC
3		NC
4	1.25 BI/R	Main relay power
5	0.50 Y	Main relay control
6	0.50 R/B	Weak acceleration sensor signal
7	0.50 W/G	Weak acceleration sensor signal
8	0.50 R	Weak acceleration sensor signal
9	0.50 W	A/C relay control signal
10	0.85 R	Alternator power
11	0.85 Y/Br	Alternator power
12	0.50 W	High speed fan control signal
13	0.50 O	Low speed fan control signal
14	0.50 Gr/B	Low speed fan control signal
15	0.50 BI/Y	A/C pressure switch signal
16	0.50 G	A/C pressure switch signal
17		NC
18		NC
19		NC
20		NC

Engine Compartment Harness Connector (U--)

Engine Compartment Harness to Engine Harness Connector



UE1a

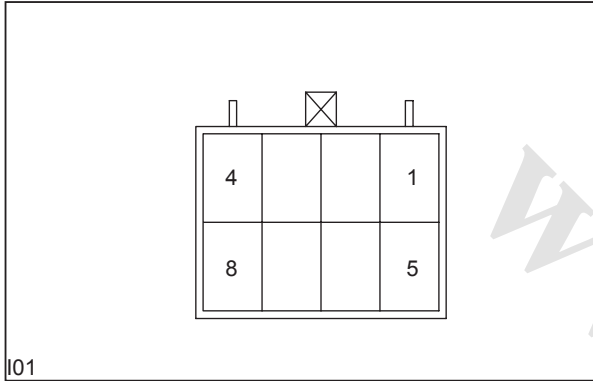
UE1a Pin Definition

Pin Number	Wire Width / Color	Function
1	2.00 BI/R	Power
2	2.00 B/Y	Starter motor power
3		NC
4		NC
5	0.50 Y	Main relay control signal
6	0.50 O	High speed fan control signal
7	0.50 W	Low speed fan control signal
8	0.50 Gr/BI	A/C relay control signal
9	0.50 B/O	Fuel pump relay control signal
10	0.85 R	Battery power
11	0.50 Y/W	A/C compressor switch signal
12	0.85 B/W	IG2 power
13	0.50 R/G	A/C pressure switch signal
14	0.50 G	A/C pressure switch signal
15	0.50 BI/Y	Headlamp open signal
16	0.85 P/W	Power
17	0.50 R	Front oxygen sensor power
18	0.50 G/W	Engine speed signal
19		NC
20		NC

Harness Connector View

Instrument Harness Connector (I--)

Central Control Lock Connector



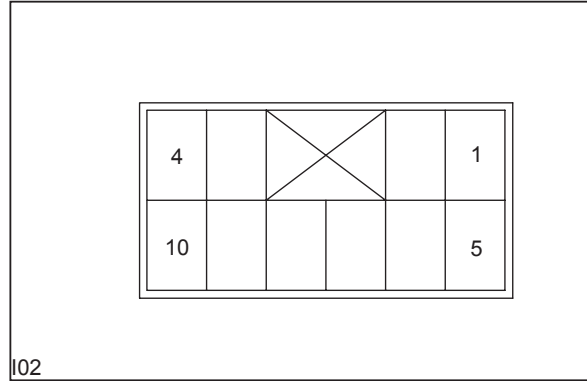
I01

I01 Pin Definition

Pin Number	Wire Width / Color	Function
1		NC
2		NC
3	0.50 B	Ground
4	0.50 G/Y	Interior lighting power
5	0.50 Br/Bl	Central locking lock signal
6	0.50 Br/G	Central locking unlock signal
7		NC
8		NC

Instrument Harness Connector (I--)

Power Rearview Mirror Switch Connector



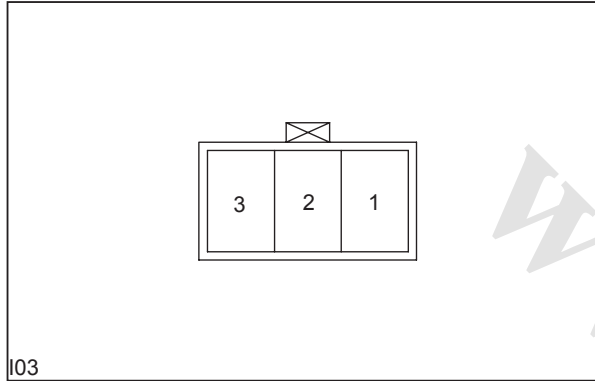
I02

I02 Pin Definition

Pin Number	Wire Width / Color	Function
1	0.50 B	Ground
2	0.50 Y/G	Rearview mirror L/R adjustment power
3	0.50 R/Y	ACC power
4	0.50 G/Y	Interior lighting power
5	0.50 Y/Gr	Left rearview mirror adjustment control signal
6	0.50 Y/W	Left rearview mirror U/D adjustment power
7		NC
8		NC
9	0.50 Y/Bl	Right rearview mirror L/R adjustment power
10	0.50 Y/Br	Right rearview mirror adjustment control signal

Harness Connector View

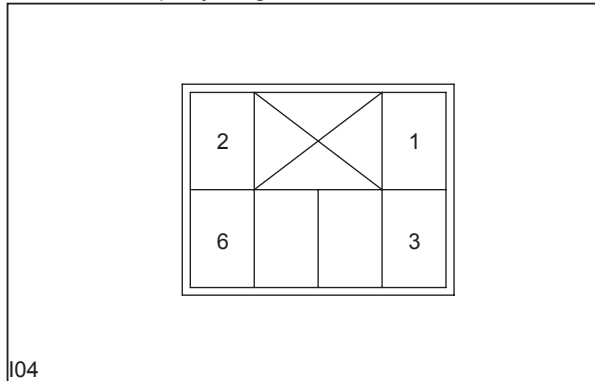
Instrument Harness Connector (I--)
Interior Lighting Adjusting Switch Connector



I03 Pin Definition

Pin Number	Wire Width / Color	Function
1	0.50 G/Y	Power input
2	0.50 BI	Power output
3	0.50 B	Ground

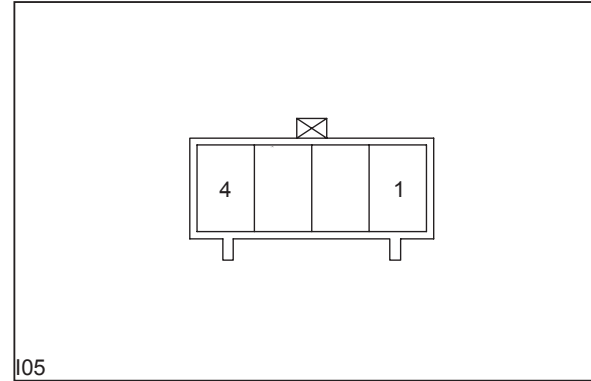
Low Beam Lamp Adjusting Switch Connector



I04 Pin Definition

Pin Number	Wire Width / Color	Function
1	0.50 B	Ground
2	0.50 BI/Gr	Low beam lamp adjustment signal
3		NC
4	0.50 G/Y	Interior lighting power
5		NC
6	0.50 BI/Y	Low beam lamp adjustment signal

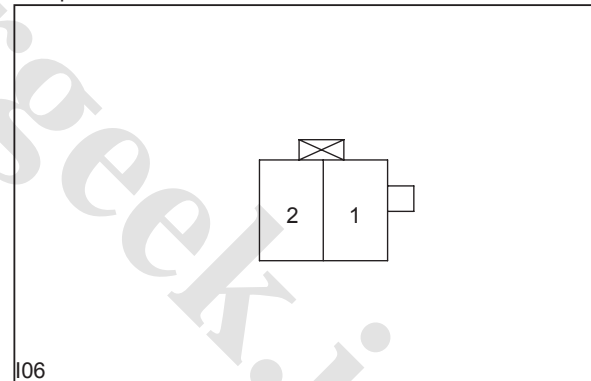
Instrument Harness Connector (I--)
Ambient Light Sensor Connector



I05 Pin Definition

Pin Number	Wire Width / Color	Function
1	0.50 Br/R	Power
2	0.50 G/O	BCM control signal
3	0.50 O/BI	Power output
4	0.50 B	Ground

LF Speaker Connector



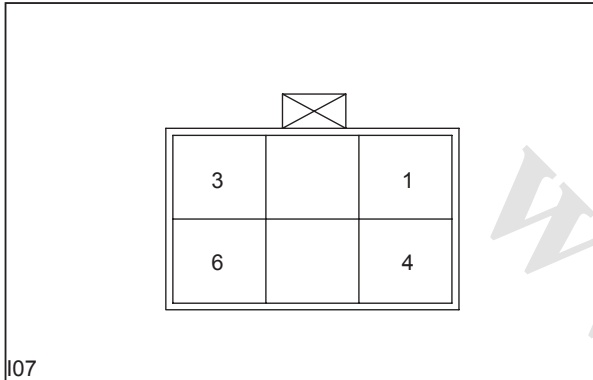
I06 Pin Definition

Pin Number	Wire Width / Color	Function
1	0.50 V/P	Left side tweeter power-
2	0.50 V/O	Left side tweeter power+

Harness Connector View

Instrument Harness Connector (I--)

Center Control Box 6 Connector



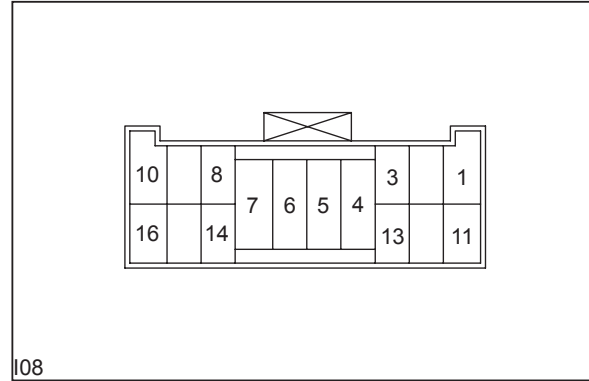
I07

I07 Pin Definition

Pin Number	Wire Width / Color	Function
1		NC
2	0.85 Br/W	K16 relay power output
3	2.00 P	K16 relay power output
4		NC
5	0.85 Br	FS17 power output
6	1.25 W	Battery power output

Instrument Harness Connector (I--)

Center Control Box 5 Connector



I08

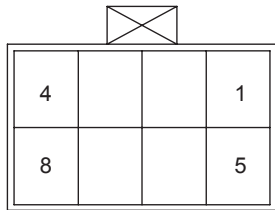
I08 Pin Definition

Pin Number	Wire Width / Color	Function
1	0.50 W/Bl	FS20 power output
2	0.50 Y	FS43 power output
3	0.85 R/V	FS42 power output
4	0.50 Y/Gr	Brake signal
5	1.25 W	FS48 power output
6	0.50 Br/R	FS27 power output
7	0.50 Bl/B	Rear fog lamp control signal
8	0.50 P	FS46 power output
9	0.85 R	FS29 power output
10	0.85 R	FS29 power output
11	0.50 B	Ground
12	0.50 G/W	Brake signal
13	0.50 B	Ground
14	0.50 G/B	Rear fog lamp power input
15	0.50 G/Br	Rear fog lamp power output
16	0.50 G/Bl	Rear fog lamp control signal

Harness Connector View

Instrument Harness Connector (I--)

Center Control Box 4 Connector



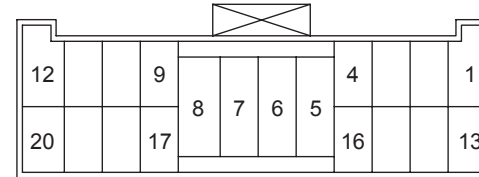
I09

I09 Pin Definition

Pin Number	Wire Width / Color	Function
1	3.00 V	ACC power input
2	2.00 R/BI	IG1 power power input
3	0.50 R	FS39 power output
4	2.00 P/R	FS34 power output
5		NC
6		NC
7	0.50 Y	FS21 power output
8		NC

Instrument Harness Connector (I--)

Center Control Box 3 Connector



I10

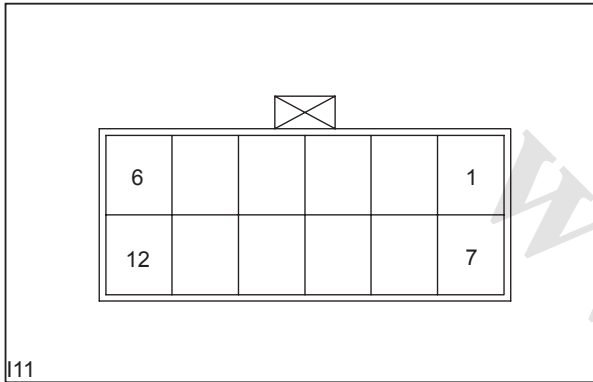
I10 Pin Definition

Pin Number	Wire Width / Color	Function
1		NC
2	0.50 BI/Y	FS30 power output
3		NC
4		NC
5	2.00 R/P	FS35 power output
6	0.50 R/G	FS15 power output
7	0.50 V/R	FS41 power output
8		NC
9		NC
10		NC
11	0.85 R/V	FS33 power output
12	0.85 R/V	FS33 power output
13	0.85 R	FS13 power output
14		NC
15		NC
16		NC
17		NC
18		NC
19		NC
20	0.50 R/Y	FS36 power output

Harness Connector View

Instrument Harness Connector (I--)

Center Control Box 7 Connector

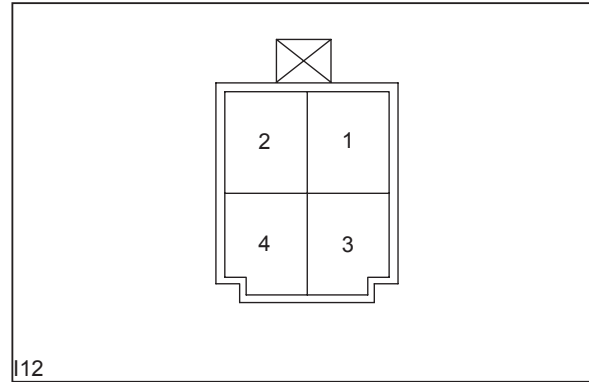


I11 Pin Definition

Pin Number	Wire Width / Color	Function
1	3.00 Y	K10 relay power output
2	0.85 W	FS24 power output
3	0.50 B	K10 relay power output
4	2.00 B/Y	FS37 power output
5	0.50 Bl	FS16 power output
6		NC
7	3.00 B/W	IG2 power input
8		NC
9		NC
10		NC
11	0.50 G/Br	FS14 power output
12		NC

Instrument Harness Connector (I--)

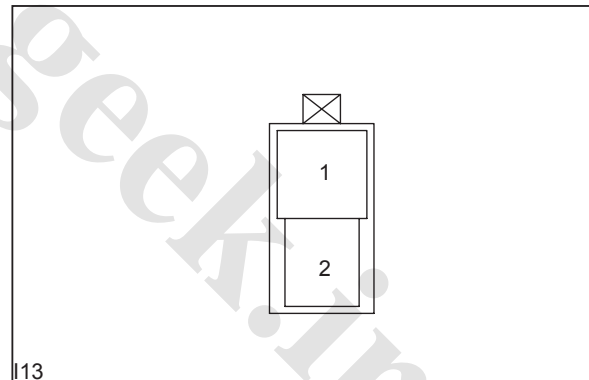
Center Control Box 2 Connector



I12 Pin Definition

Pin Number	Wire Width / Color	Function
1	1.25 V/W	FS32 power output
2		NC
3	1.25 R/Y	FS26 power output
4		NC

Center Control Box 1 Connector



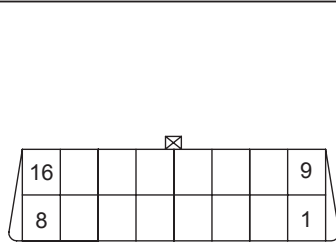
I13 Pin Definition

Pin Number	Wire Width / Color	Function
1	3.00 Bl/R	Battery power
2	3.00 Br	Battery power

Harness Connector View

Instrument Harness Connector (I--)

Diagnose Interface Connector



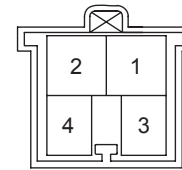
I14

I14 Pin Definition

Pin Number	Wire Width / Color	Function
1		NC
2		NC
3		NC
4	0.50 B	Ground
5		NC
6	0.50 BI/B	CAN-H
7	0.50 P/G	K-line(Delphi)
7	0.50 BI/W	K-line(UE)
8	0.50 Y	IG1 power
9		NC
10		NC
11		NC
12	0.50 O	SRS fault diagnose signal
13	0.50 R/W	BCM fault diagnose signal
14	0.50 BI/W	CAN-L
15		NC
16	0.50 W/BI	Battery power

Instrument Harness Connector (I--)

Brake Switch Connector

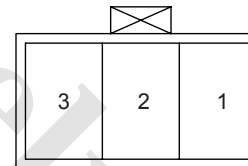


I15

I15 Pin Definition

Pin Number	Wire Width / Color	Function
1	0.50 G/W	Brake lamp power
2	0.50 BI/Y	Brake lamp power
3	0.50 G/B	Brake lamp switch power
4	0.50 Y	Brake lamp switch power

IMMO ECU-B Connector



I16

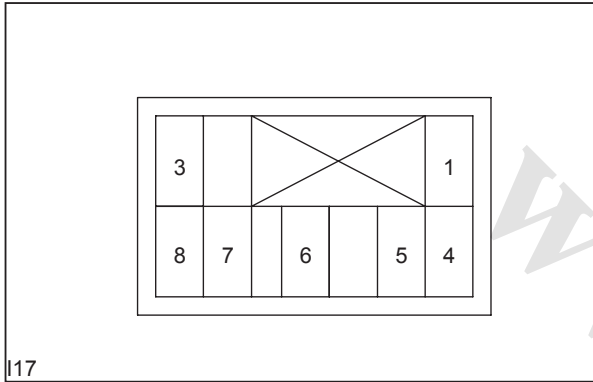
I16 Pin Definition

Pin Number	Wire Width / Color	Function
1		NC
2	0.50 Y	Key signal
3	0.50 BI	Key signal

Harness Connector View

Instrument Harness Connector (I--)

IMMO ECU-A Connector

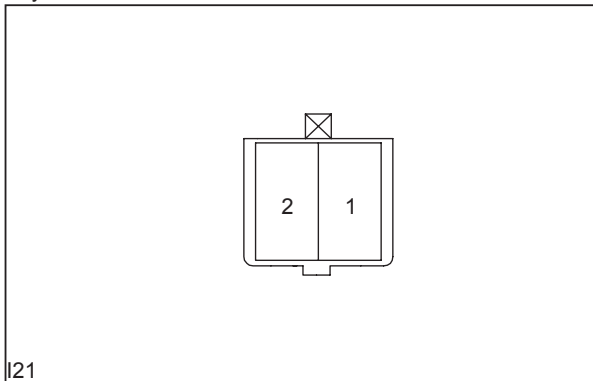


I17

I17 Pin Definition

Pin Number	Wire Width / Color	Function
1		NC
2		NC
3	0.50 Y	Power
4	0.50 P/G	K-line
5	0.50 P/W	Data line
6	0.50 Br/B	IMMO indicator signal
7	0.50 W/Bl	Power
8	0.50 B	Ground

Key Width Connector



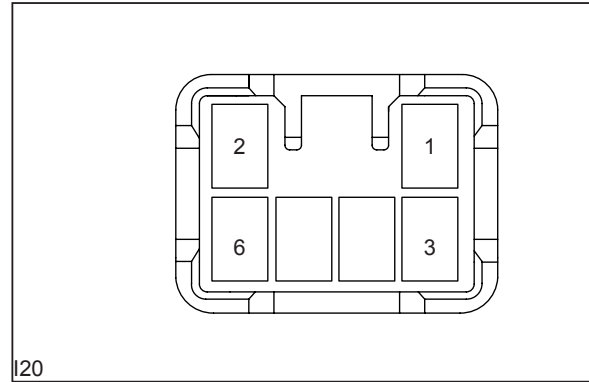
I21

I21 Pin Definition

Pin Number	Wire Width / Color	Function
1	0.50 B	Ground
2	0.50 V	Key position signal

Instrument Harness Connector (I--)

Snow Model Switch Connector

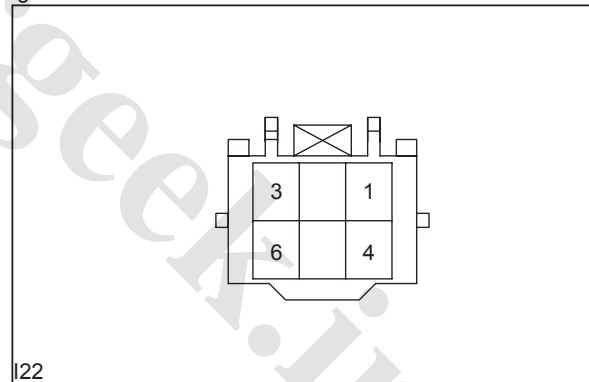


I20

I20 Pin Definition

Pin Number	Wire Width / Color	Function
1		NC
2		NC
3	0.50 G/Y	Snow model switch signal
4	0.50 G/Y	Interior lighting power
5	0.50 B	Ground
6	0.50 B	Ground

Igniton Switch Connector



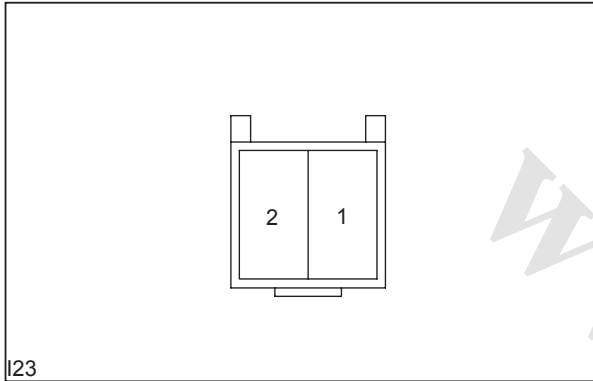
I22

I22 Pin Definition

Pin Number	Wire Width / Color	Function
1	3.00 V	ACC power
2	2.00 R/Bl	IG1 power
3	3.00 Br	Battery power
4	3.00 B/W	IG2 power
5	3.00 Bl/R	Battery power
6	2.00 B/Y	Start Power

Harness Connector View

Instrument Harness Connector (I--)
Igniton Switch Interior Lighting Connector

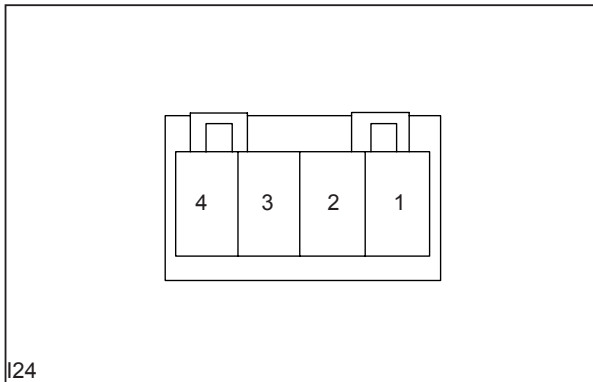


I23

I23 Pin Definition

Pin Number	Wire Width / Color	Function
1	0.50 R/G	Ignition switch coil lighting power
2	0.50 Y	Ignition switch coil lighting control signal

IMMO Coil Connector

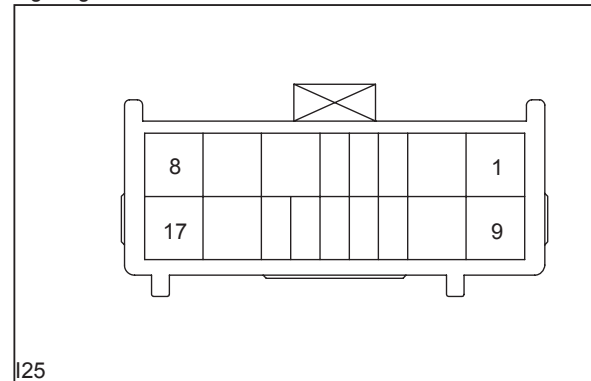


I24

I24 Pin Definition

Pin Number	Wire Width / Color	Function
1	0.50 Y	Key signal
2		NC
3	0.50 BI	Key signal
4		NC

Instrument Harness Connector (I--)
Lighting Combination Switch Connector



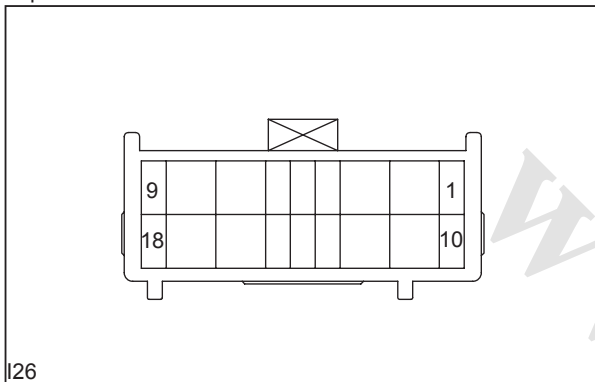
I25

I25 Pin Definition

Pin Number	Wire Width / Color	Function
1	0.50 BI/Br	Overtank lamp control signal
2	0.50 BI/V	High beam lamp control signal
3		NC
4		NC
5		NC
6	0.50 G/Y	Turn left lamp control signal
7	0.50 B	Ground
8	0.50 G/W	Turn right lamp control signal
9		NC
10		NC
11	0.50 B	Ground
12	0.50 BI/R	Auto lamp control signal
13	0.50 BI/Gr	Width lamp control signal
14	0.50 BI/W	Low beam control signal
15	0.50 BI/G	Fog lamp control signal
16	0.50 B	Ground
17	0.50 G/BI	Rear fog lamp control signal

Harness Connector View

Instrument Harness Connector (I--)
Wiper Combination Switch Connector

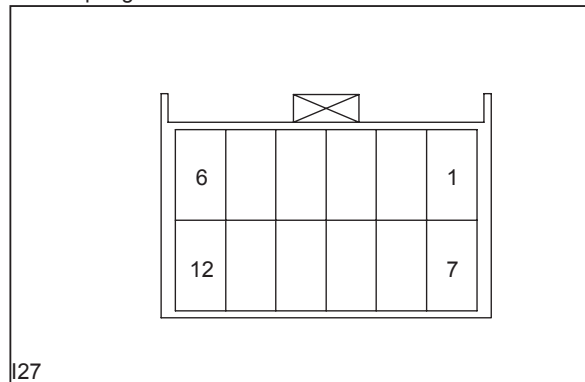


I26

I26 Pin Definition

Pin Number	Wire Width / Color	Function
1		NC
2	2.00 P/Bl	High speed power
3	2.00 P/G	Power
4		NC
5		NC
6		NC
7		NC
8	0.50 P/Gr	Rear wiper control signal
9		NC
10		NC
11	0.85 B	Ground
12	0.50 P/G	Rear wiper control signal
13		NC
14	0.50 B	Ground
15	0.50 P/W	Headlamp washer control signal
16	1.25 P/Y	Return power
17	2.00 P/R	IG1 power
18	0.50 P/Br	Rear washer control signal

Instrument Harness Connector (I--)
Clock Spring-1 Connector



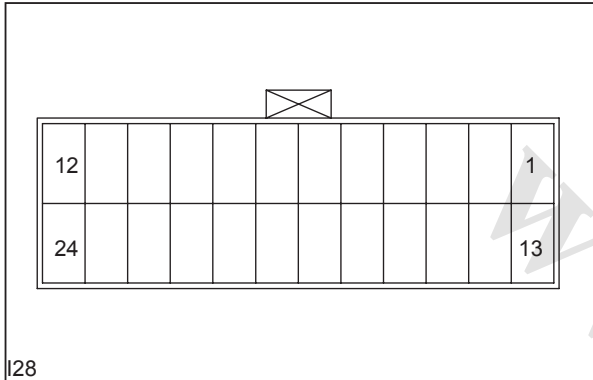
I27

I27 Pin Definition

Pin Number	Wire Width / Color	Function
1		NC
2	0.50 B	Ground
3	0.50 R/B	CD system control signal
4	0.50 R/W	CD system control signal
5	0.50 G/Y	Interior lighting power
6	0.50 P/B	Horn control signal
7		NC
8		NC
9		NC
10		NC
11		NC
12		NC

Harness Connector View

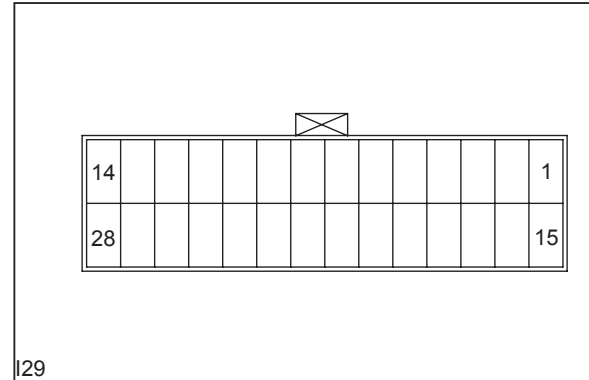
Instrument Harness Connector (I--)
Instrument Cluster-2(B) Connector



I28 Pin Definition

Pin Number	Wire Width / Color	Function
1	0.50 B/W	LF door ajar indicator
2	0.50 B/Y	RF door ajar indicator
3	0.50 B/P	LR door ajar indicator
4	0.50 B/V	RR door ajar indicator
5	0.50 Y/W	Passenger side safety belt switch signal
6	0.50 Y/B	Driveside safety belt switch signal
7	0.50 Br/B	IMMO indicator signal
8		NC
9	0.50 W/B	Engine speed signal
10	0.50 W	
11	0.50 BI/W	CAN-H
12	0.50 BI/B	CAN-L
13	0.50 BI	Width lamp indicator
14		NC
15	0.50 BI/W	High beam lamp indicator
16	0.50 BI/B	Parking brake switch indicator
17	0.50 V/B	Reverse radar signal
18	0.50 V/W	Reverse radar signal
19	0.50 V/BI	Reverse radar signal
20	0.50 B	Ground
21	0.50 V/G	Reverse radar signal
22	0.50 G/R	Reverse lamp signal
23	0.50 G/R	Turn right lamp indicator
24		NC

Instrument Harness Connector (I--)
Instrument Cluster -2(W) Connector



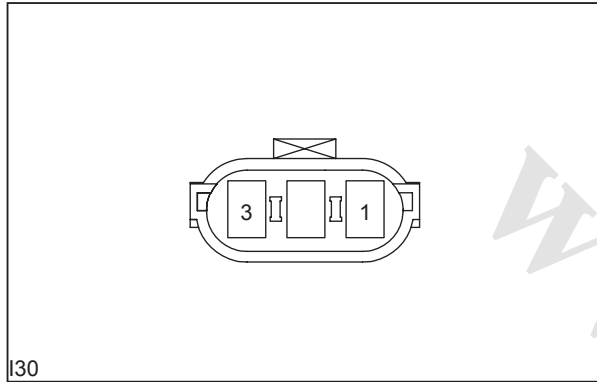
I29 Pin Definition

Pin Number	Wire Width / Color	Function
1	0.50 O/W	
2	0.50 O/G	Speed signal input
3		NC
4	0.50 R/B	Fuel level sensor indicator
5	0.50 V/G	Data line
6	0.50 V/B	Data line
7	0.50 V/BI	Data line
8	0.50 Br	Coolant temperature signal
9		
10	0.50 R/BI	ABS fault indicator
11	0.50 V	Charging indicator
12	0.50 O/B	SRS fault indicator
13	0.50 Y/B	Oil pressure signal indicator
14	0.50 G/O	Turn left lamp indicator
15	0.50 BI	IG2 power
16	0.50 Y	Battery power
17	0.50 BI/Y	Low beam lamp indicator
18	0.50 BI/B	Front fog lamp indicator
19	0.50 G/Br	Rear fog lamp indicator
20	0.50 B	Ground
21		NC
22		NC
23	0.50 G/Y	Interior lighting power
24	0.50 W/BI	SVS indicator
25	0.50 BI/R	Brake fluid switch signal
26	0.50 B/O	Tail gate ajar indicator
27	0.50 P	Rear defroster indicator
28	0.50 G	Check Engine

Harness Connector View

Instrument Harness Connector (I--)

Anti-theft Alarm Connector

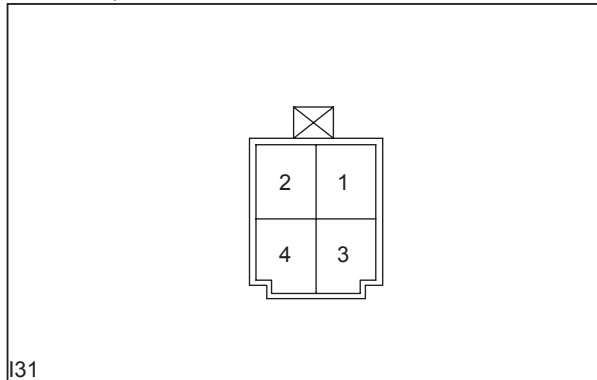


I30

I30 Pin Definition

Pin Number	Wire Width / Color	Function
1	0.50 Br/W	Anti-theft alarming signal
2		NC
3	0.50 B	Ground

Inside Temperature Sensor Connector



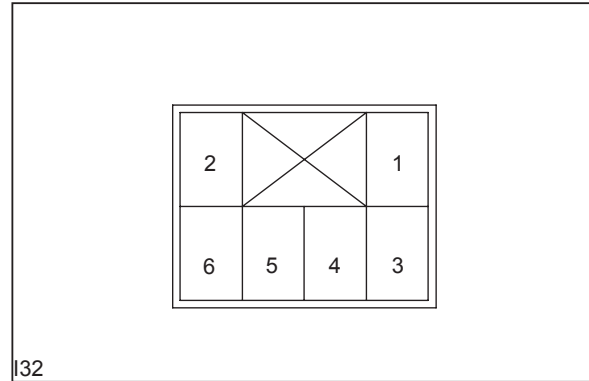
I31

I31 Pin Definition

Pin Number	Wire Width / Color	Function
1	0.50 R/Bl	Signal
2	0.50 B	Ground
3		NC
4		NC

Instrument Harness Connector (I--)

Driver Side Seat Heating Switch Connector

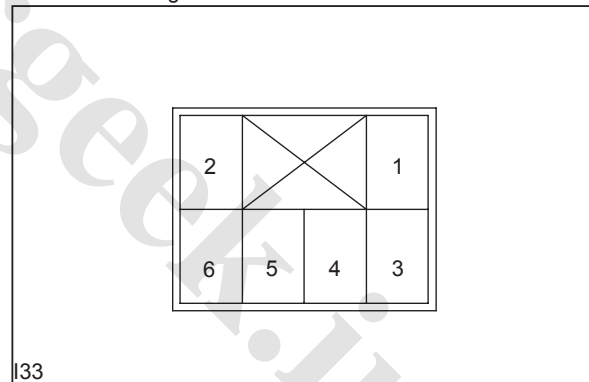


I32

I32 Pin Definition

Pin Number	Wire Width / Color	Function
1		NC
2		NC
3	0.50 B	Ground
4	0.50 G/Y	Interior lighting power
5	2.00 B/Y	Power
6	1.25 G	Power output

Tail Gate Locking Switch Connector



I33

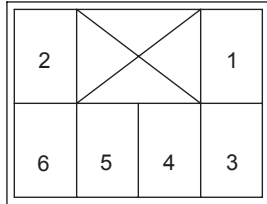
I33 Pin Definition

Pin Number	Wire Width / Color	Function
1		NC
2		NC
3	0.50 B	Ground
4	0.50 G/Y	Interior lighting power
5		NC
6	0.50 Br/Y	Tail gate locking/unlocking

Harness Connector View

Instrument Harness Connector (I--)

Passenger Side Seat Heating Switch Connector

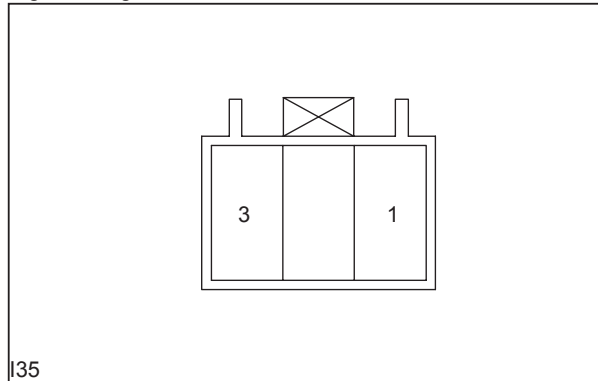


I34

I34 Pin Definition

Pin Number	Wire Width / Color	Function
1		NC
2		NC
3	0.50 B	Ground
4	0.50 G/Y	Interior lighting power
5	1.25 W	Power
6	1.25 Br	Power output

Cigarette Lighter Connector



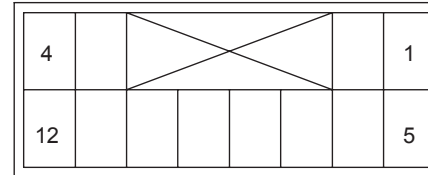
I35

I35 Pin Definition

Pin Number	Wire Width / Color	Function
1	1.25 B	Ground
2	0.85 R/V	Power
3	0.50 G/Y	Interior lighting power

Instrument Harness Connector (I--)

Multi-Function Discreen Connector

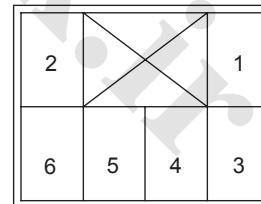


I36

I36 Pin Definition

Pin Number	Wire Width / Color	Function
1		NC
2		NC
3		NC
4		NC
5	0.50 R/V	Battery power
6	0.50 Bl	IG2 power
7	0.50 B	Ground
8	0.50 G/W	Outside temperature sensor signal
9	0.50 B	Ground
10	0.50 O/G	Speed signal input
11	0.50 Y/B	Driver side seat belt switch signal ajar signal
12	0.50 Y/W	Passenger side seat belt switch signal ajar signal

Hazard Warning Lamp Connector



I37

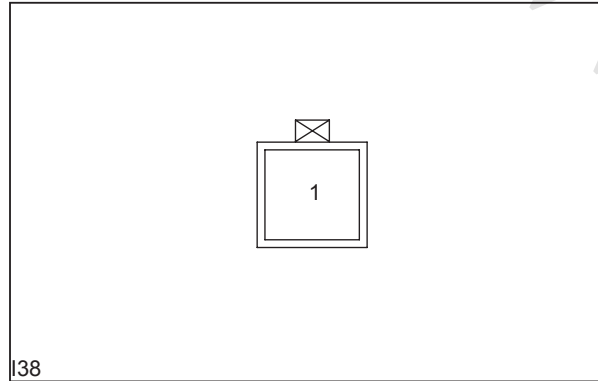
Harness Connector View

Instrument Harness Connector (I--)

I37 Pin Definition

Pin Number	Wire Width / Color	Function
1	0.50 B	Ground
2	0.50 G/Y	Interior lighting power
3	0.50 G/R	Hazard warning lamp power
4	0.50 G/B	Hazard warning lamp power input
5		NC
6	0.50 B	Ground

CD Player Antenna Connector

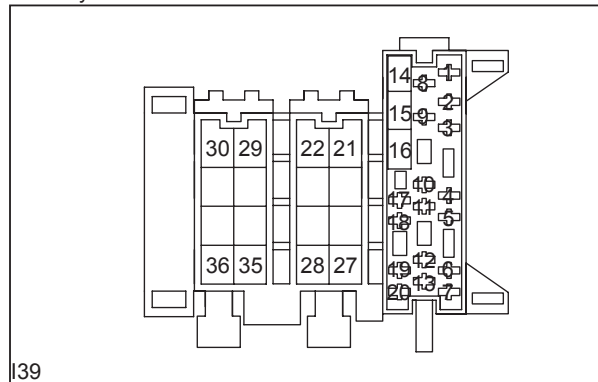


I38

I38 Pin Definition

Pin Number	Wire Width / Color	Function
1	0.50 V/R	ACC power

CD Player Connector



I39

Instrument Harness Connector (I--)

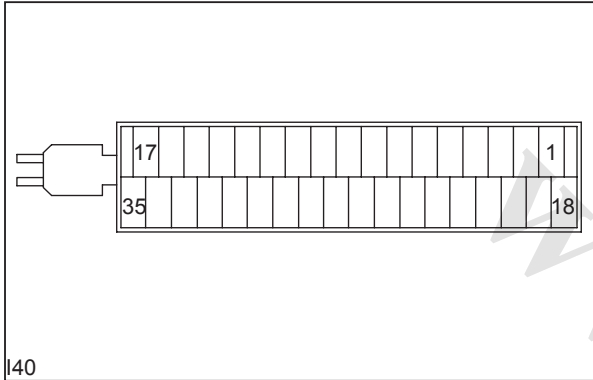
I39 Pin Definition

Pin Number	Wire Width / Color	Function
1		NC
2		NC
3		NC
4		NC
5		NC
6		NC
7		NC
8		NC
9		NC
10		NC
11		NC
12		NC
13		NC
14	0.50 V/BI	To instrument cluster data line
15	0.50 V/B	To instrument cluster data line
16	0.50 V/G	To instrument cluster data line
17		NC
18		NC
19		NC
20		NC
21	0.50 V/BI	LR door speaker power+
22	0.50 V/G	LR door speaker power-
23	0.50 V/O	LF door speaker power+
24	0.50 V/P	LF door speaker power-
25	0.50 V/Br	RF door speaker power-
26	0.50 V/Gr	RF door speaker power+
27	0.50 V/B	RR door speaker power-
28	0.50 V/W	RR door speaker power+
29	0.85 R/V	Battery power
30	0.85 B	Ground
31	0.50 G/Y	Interior lighting power
32	0.50 G/R	Reverse lamp signal
33	0.50 BI/B	Parking brake signal
34	0.50 V/R	ACC power
35	0.50 R/B	CD system control signal
36	0.50 R/W	CD system control signal

Harness Connector View

Instrument Harness Connector (I--)

BCM-1 Connector



I40

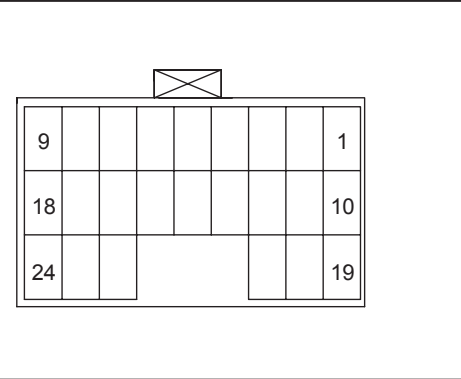
I40 Pin Definition

Pin Number	Wire Width / Color	Function
1	0.50 Br/V	Locking motor lock signal
2	0.50 Br/O	Locking motor unlock signal
3	0.85 Br	Battery power
4	1.25 Y/Gr	RR power window down signal
5	1.25 Y/B	RR power window up signal
6	2.00 B	Ground
7	1.25 Y/V	LR power window down signal
8	1.25 Y/Br	LR power window up signal
9	1.25 R/Y	Battery power
10	1.25 R/Y	Battery power
11	1.25 Y/BI	RF power window up signal
12	1.25 Y/G	RF power window down signal
13	2.00 B	Ground
14	2.00 B	Ground
15	1.25 Y/W	LF power window up signal
16	1.25 Y/R	LF power window down signal
17	0.85 R	Turn/Hazard warning lamp power
18	0.50 Br/P	LF door locking unlock signal
19	0.50 Br/Gr	LF door locking lock signal
20	0.85 Br/R	Tail gate unlock signal
21	0.50 Br/W	Anti-theft alarming signal
22		NC
23	0.50 G/Gr	Midle dome lamp control signal
24	0.50 BI	Width lamp control signal
25	0.50 BI/O	Low beam lamp control signal
26	0.50 G/R	LR turn lamp power
27	0.50 G/O	RR turn lamp power
28		NC
29	0.85 P/Gr	Front washer control signal
30	0.85 P/Br	Front washer control signal

Instrument Harness Connector (I--)

Pin Number	Wire Width / Color	Function
31	0.85 P/Y	Rear wiper return signal
32	0.85 P/G	Rear wiper signal
33	2.00 R/P	IG2 power
34	1.25 G/R	Left side turn lamp power
35	1.25 G/O	Right side turn lamp power

BCM-2(W) Connector



I41

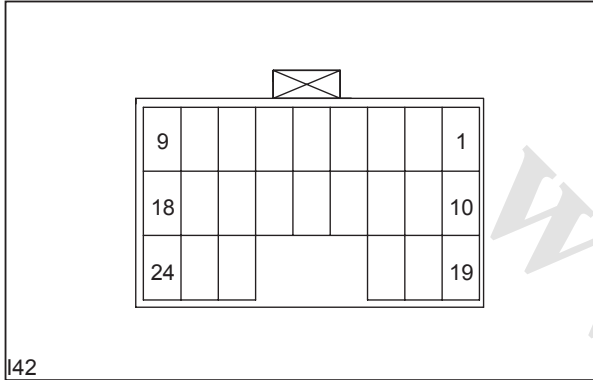
I41 Pin Definition

Pin Number	Wire Width / Color	Function
1	0.50 Br/R	Battery power
2	0.50 BI	IG2 power
3	0.50 Y	Ignition switch coil lighting control signal
4	0.50 V	Key position signal
5	0.50 Y/R	LF power window switch up signal
6	0.50 Y/P	LF power window switch down signal
7	0.50 Y/W	RF power window switch up signal
8	0.50 Y/V	RF power window switch down signal
9	0.50 Y/BI	LR power window switch up signal
10	0.50 Y/G	LF power window switch down signal
11	0.50 Y/O	RR power window switch up signal
12	0.50 Y/Br	RR power window switch down signal
13	0.50 G/B	Fuel pump control signal
14	0.50 B/W	RF door lamp control signal
15	0.50 B/Y	LF door lamp control signal
16	0.50 B/P	LR door lamp control signal
17	0.50 B/V	RR door lamp control signal
18	0.50 B/O	Tail gate open signal
19	0.50 R/W	BCM fault diagnose signal
20		NC
21		NC
22	0.50 B/G	Other door locking unlock signal
23	0.50 B/BI	Other door locking lock signal
24	0.50 B/Gr	LF door locking status signal

Harness Connector View

Instrument Harness Connector (I--)

BCM-3(Gr) Connector



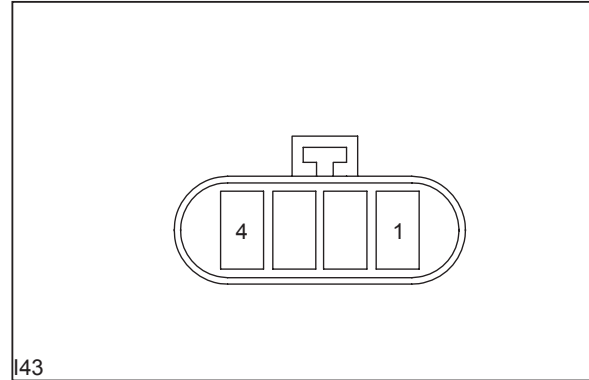
I42

I42 Pin Definition

Pin Number	Wire Width / Color	Function
1	0.50 G/B	Hazard warning lamp power input
2	0.50 G/Y	Turn left control signal
3	0.50 G/W	Turn right control signal
4	0.50 Bl/R	Auto lamp control signal
5	0.50 Bl/W	Low beam lamp control signal
6	0.50 Bl/Gr	Widw lamp control signal
7	0.50 G/O	Ambient Light Sensor
8	0.50 P/G	Rear wiper control signal
9	0.50 Br/B	IMMO indicator
10		NC
11		NC
12	0.50 Br/G	Central locking unlock signal
13	0.50 Br/Bl	Central locking lock signal
14	0.50 Br/Y	Tail gate locking unlock signal
15	0.50 R	Sunroof control signal
16	0.50 P/W	Headlamp washer control signal
17	0.50 P/Br	Rear washer control signal
18	0.50 P/Gr	Front washer control signal
19		NC
20		NC
21		NC
22		NC
23	0.50 O/W	SRS Colision Signal
24	0.50 O/G	Speed sensor signal

Instrument Harness Connector (I--)

Rear Oxygen Sensor Connector

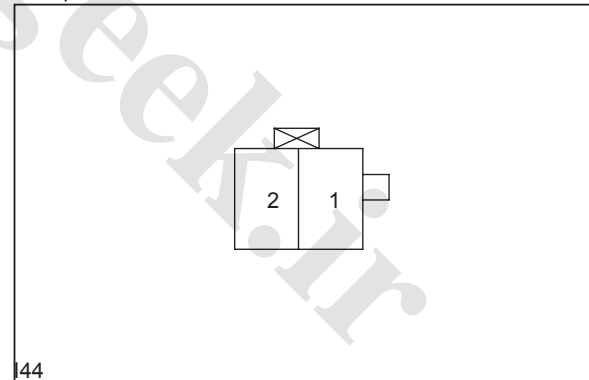


I43

I43 Pin Definition

Pin Number	Wire Width / Color	Function
1	0.50 V	Power(Delphi)
1	0.50 O	Power(UE)
2	0.50 G	Signal(Delphi)
2	0.50 Gr	Signal(UE)
3	0.50 Gr	Heating control signal(Delphi)
3	0.50 G	Heating control signal(UE)
4	0.50 V/B	Heating control signal

RF Speaker Connector



I44

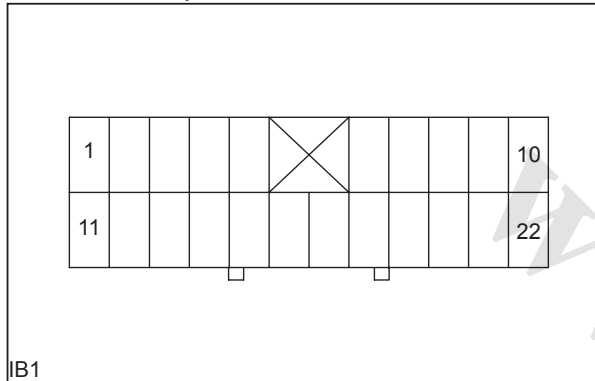
I44 Pin Definition

Pin Number	Wire Width / Color	Function
1	0.50 V/Gr	Right side tweeter power+
2	0.50 V/Br	Right side tweeter power-

Harness Connector View

Instrument Harness Connector (I--)

IP Harness to Body Harness Connector



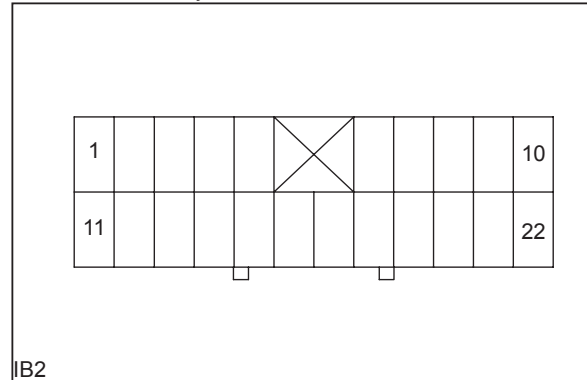
IB1

IB1 Pin Definition

Pin Number	Wire Width / Color	Function
1	0.50 Y/R	IG2 power
2	1.25 G	Power input
3	0.50 Y/B	Driver side seat bealt switch ajar signal
4	2.00 P	Rear defroster power
5	0.50 Y/G	LR power window switch down signal
6	1.25 V/W	USB power
7	0.50 V/G	Reverse radar signal
8	0.50 V/B	Reverse radar signal
9	0.85 Br/R	Tail gate unlock signal
10	0.50 B/P	LF door lamp signal
11	0.50 V/BI	LR door speaker power-
12	0.50 V/G	LR door speaker power+
13	0.50 Y/P	Shift mechanism signal
14	0.50 Y/W	Passenger side seat belt switch ajar signal
15	0.50 B/W	LF door lamp control signal
16	0.50 R/G	Shift mechanism signal
17	0.85 P/Y	Rear wiper return power
18	0.50 G/R	LR turn lamp power
19	0.50 G/Br	Rear fog lamp power
20	0.85 P/G	Rear wiper power
21	0.50 Y/BI	LR power window switch up signal
22	0.50 R/B	Fuel level sensor indicator

Instrument Harness Connector (I--)

IP Harness to Body Harness Connector



IB2

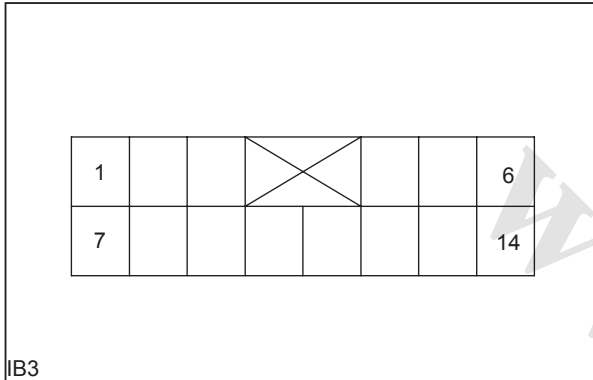
IB2 Pin Definition

Pin Number	Wire Width / Color	Function
1	0.50 G/W	Brake lamp power
2	0.50 V/B	RR door speaker power-
3	1.25 Y/Gr	RR power window down signal
4	0.50 V/W	RR door speaker power+
5	0.50 B/V	RR door lamp control signal
6	0.50 BI	Width lamp power
7	0.50 BI/B	Parking brake switch signal
8	0.50 B/Y	RF door lamp control signal
9	0.50 G/O	RR turn lamp power
10	0.50 Y/Br	RR power window switch down signal
11	0.50 B/O	Tail gate open signal
12		NC
13		NC
14	1.25 Y/B	RR power window up signal
15	0.50 V/W	Reverse radar signal
16	0.50 V/BI	Reverse radar signal
17	0.50 G/Y	Interior lighting power
18	0.50 R/G	Door lamp power
19		NC
20	0.50 Y/O	RR power window switch up signal
21	0.50 Br/V	Locking motor unlock signal
22	0.50 Br/O	Locking motor unlock signal

Harness Connector View

Instrument Harness Connector (I--)

IP Harness to Body Harness Connector



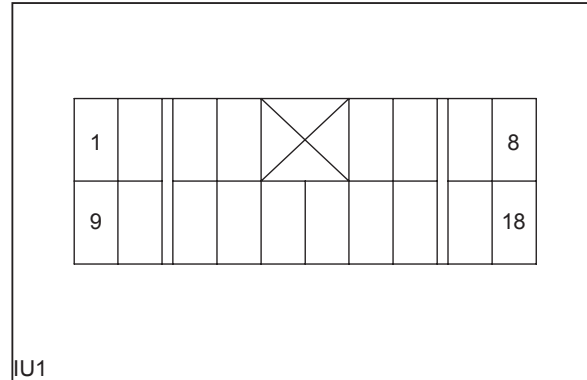
IB3

IB3 Pin Definition

Pin Number	Wire Width / Color	Function
1	0.50 Br/G	LR WSS signal
2	0.50 Br/P	LR WSS signal
3	0.50 Y/B	Safety switch signal
4	0.50 R/BI	Power
5	1.25 R/BI	Fuel pump power
6	0.50 G/R	Reverse lamp power
7	0.50 Br/Y	RR WSS signal
8	0.50 Br/W	RR WSS signal
9	1.25 Y/Br	LF power window up signal
10	1.25 Y/V	LF power window down signal
11	0.50 Br/W	Anti-theft alarming signal
12	0.50 V/B	Shift mechanism signal
13		NC
14	1.25 Br	Power input

Instrument Harness Connector (I--)

IP Harness to Front Compartment Harness Connector



IU1

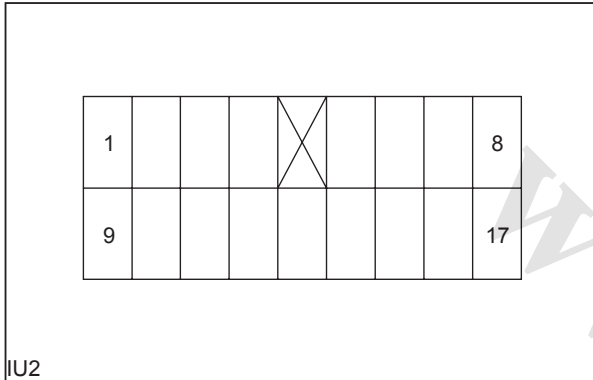
IU1 Pin Definition

Pin Number	Wire Width / Color	Function
1	0.50 Y/R	IG2 power
2	0.50 G/B	FS45 power input(Delphi)
2	0.50 G/BI	FS45 power input(UE)
3	0.50 Y/P	Shift mechanism signal
4	0.50 R/G	Shift mechanism signal
5		NC
6	0.50 R/BI	ABS fault indicator
7	0.50 Y/Gr	Brake signal
8	0.50 G/W	Brake signal
9	0.50 P/B	Horn control signal
10	0.50 BI	Width lamp power
11	0.50 V	Rear Oxygen Sensor Power(Delphi)
11	2.00 B/Y	ST power(UE)
12	0.50 BI/B	CAN-H
13	0.50 BI/W	CAN-L
14	0.50 Y	Battery power
15	0.50 BI/Gr	Low beam lamp adjustment signal
16	0.50 BI/G	Fog lamp control signal
17	2.00 B/W	IG2 power(Deiphi)
17	2.00 R/BI	IG1 power(UE)

Harness Connector View

Instrument Harness Connector (I--)

IP Harness to Front Compartment Harness Connector



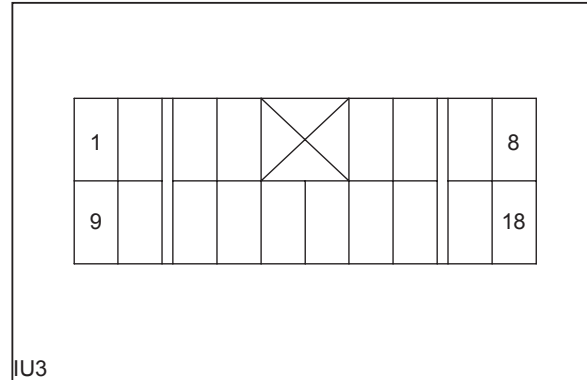
IU2

IU2 Pin Definition

Pin Number	Wire Width / Color	Function
1	2.00 P/BI	Front wiper high speed power
2	1.25 P/Y	Front wiper return power
3	2.00 P/G	Front wiper power
4	0.50 G/Br	Reverse lamp power(CVT)
5	0.50 BI	Width lamp control signal
6	0.50 BI/R	Brake fluid switch signal
7	0.50 BI/Y	Low beam lamp adjustment signal
8	0.50 BI/V	High beam lamp control signal
9	0.50 BI/Br	Overtank lamp control signal
10		NC
11	0.50 BI/O	Low beam lamp control signal
12		NC
13	1.25 W	Power
14		NC
15	0.50 BI/W	High beam lamp indicator
16	0.50 O	Rear Oxygen Sensor Power
17	2.00 P/R	Power

Instrument Harness Connector (I--)

IP Harness to Front Compartment Harness Connector



IU3

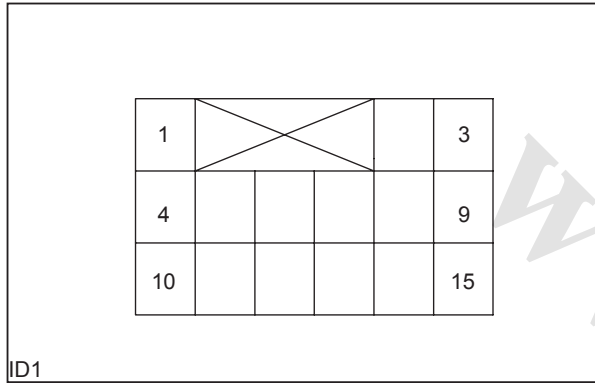
IU3 Pin Definition

Pin Number	Wire Width / Color	Function
1	0.50 G/R	Reverse lamp power(CVT)
2	1.25 R/BI	Fuel pump power
3	0.50 Br/G	LR WSS signal
4	0.50 Br/P	LR WSS signal
5	0.50 G/B	Fuel pump relay control signal
6	0.50 G/R	Left side turn lamp power
7	0.85 B/O	Fuel pump control
8	0.50 V/B	Shift mechanism signal
9	0.50 G/W	Outside temperature sensor signal
10	0.85 P/Gr	Front washer control signal
11	0.50 Br/Y	RR WSS signal
12	0.50 Br/W	RR WSS signal
13	0.85 P/Br	Front washer control signal
14	0.50 Gr/P	A/C switch signal
15		NC
16	0.50 G/O	Right side turn lamp power
17	0.50 BI/B	Front fog lamp power
18	0.50 G/Y	Snow model switch signal

Harness Connector View

Instrument Harness Connector (I--)

IP Harness to LF Door Harness Connector



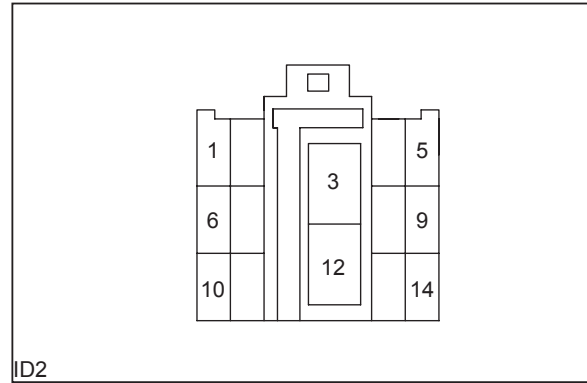
ID1

ID1 Pin Definition

Pin Number	Wire Width / Color	Function
1	0.50 G/R	Left side turn lamp power
2		NC
3		NC
4	0.50 Y/R	LF power window switch up signal
5	0.50 Y/G	Left rearview mirror L/R adjustment power
6	0.50 Y/P	LF power window switch down signal
7	0.50 R/G	Power
8	0.50 Y/Gr	Left rearview mirror adjustment control signal
9	0.85 Br/P	LF door locking unlock signal
10	0.50 Y/W	Left rearview mirror U/D adjustment power
11	0.50 P	left rearview mirror heating power
12	0.50 V/P	LF door speaker power-
13	0.50 V/O	LF door speaker power+
14	0.85 B	Ground
15	0.50 B/W	LF door lamp control signal

Instrument Harness Connector (I--)

IP Harness to LF Door Harness Connector



ID2

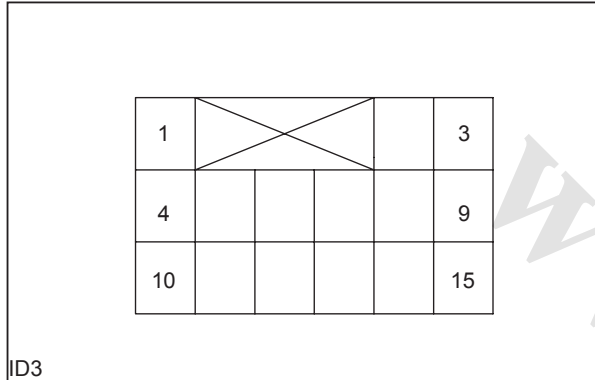
ID2 Pin Definition

Pin Number	Wire Width / Color	Function
1	0.50 G/Y	Interior lighting power
2	0.50 Y/BI	LR power window switch up signal
3	1.25 Y/W	LF power window up signal
4	0.50 Y/B	Safety switch signal
5	0.50 Y/G	LR power window switch down signal
6	0.50 Y/O	RR power window switch up signal
7	0.50 Y/Br	RR power window switch down signal
8	0.50 Y/W	RF power window switch up signal
9	0.50 Y/V	RF power window switch down signal
10	0.85 Br/Gr	LF door locking lock signal
11	0.50 B/Gr	LF door locking status signal
12	1.25 Y/R	LF power window down signal
13	0.50 B/G	Other door locking unlock signal
14	0.50 B/BI	Other door locking lock signal

Harness Connector View

Instrument Harness Connector (I--)

IP Harness to RF Door Harness Connector



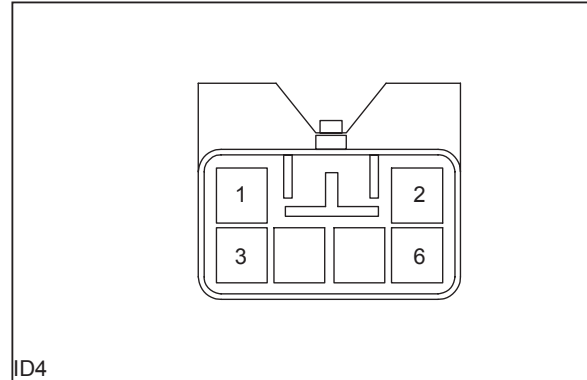
ID3

ID3 Pin Definition

Pin Number	Wire Width / Color	Function
1	1.25 Y/Bl	RF power window up signal
2		NC
3	1.25 Y/G	RF power window down signal
4		NC
5	0.50 R/G	RF door lamp power
6	0.50 B/Y	RF door lamp control signal
7	0.50 Y/B	RF power window switch signal
8	0.50 Y/Br	Right rearview mirror adjustment control signal
9		NC
10	0.50 G/Y	Interior lighting power
11	0.50 Y/G	Right rearview mirror L/R adjustment power
12	0.50 Y/V	RF power window switch down signal
13	0.50 G/O	Right side turn lamp power
14	0.50 Y/W	RF power window switch up signal
15	0.50 Y/Bl	Right rearview mirror L/R adjustment power

Instrument Harness Connector (I--)

IP Harness to RF Door Harness Connector



ID4

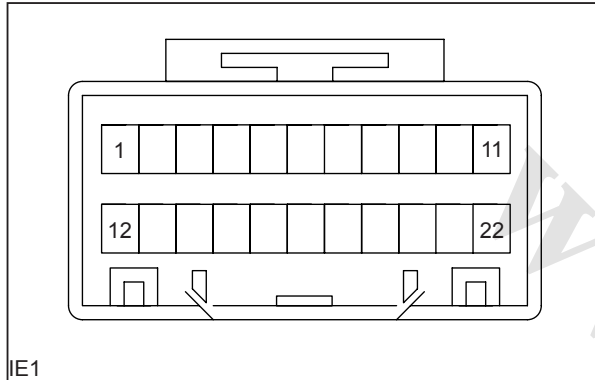
ID4 Pin Definition

Pin Number	Wire Width / Color	Function
1	0.85 B	Ground
2	0.50 Br/O	RF locking motor unlock signal
3	0.50 Br/V	RF locking motor lock signal
4	0.50 V/Br	RF door speaker power-
5	0.50 P	Right rearview mirror heating power
6	0.50 V/Gr	RF door speaker power+

Harness Connector View

Instrument Harness Connector (I--)

IP Harness to Engine Harness Connector



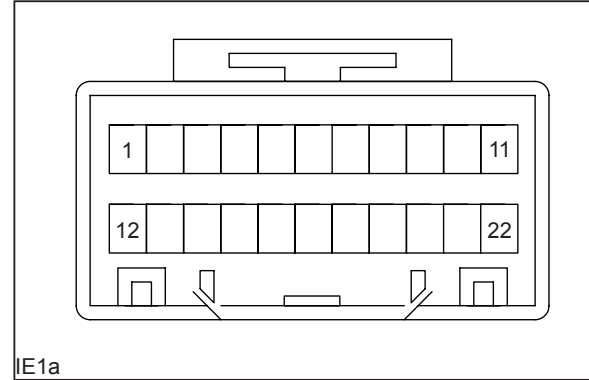
IE1

IE1 Pin Definition

Pin Number	Wire Width / Color	Function
1	0.50 P/G	K-line
2		NC
3	0.50 G/R	Reverse Imap power
4	0.50 G/Br	Reverse Imap power
5	0.50 BI/B	CAN-H
6	0.50 BI/W	CAN-L
7	0.50 O/G	Speed signal
8	0.50 Gr	Rear oxygen sensor heating signal
9	0.50 B/O	Fuel pump relay control signal
10	0.50 G	Rear oxygen sensor signal
11	0.50 O/BI	Speed sensor signal
12	0.50 G/B	Brake switch signal
13	0.50 G/W	Brake switch signal
14	0.50 G	Check engine
15	0.50 V	Charging indicator
16	0.50 Y/B	Oil pressure switch signal
17	0.50 Br	Coolant temperature signal
18	0.50 O/W	
19	0.50 W/BI	SVS signal
20	0.50 W/B	Engine speed signal
21	0.50 V/B	Rear oxygen sensor heating signal
22	0.50 P/W	IMMO signal

Instrument Harness Connector (I--)

IP Harness to Engine Harness Connector



IE1a

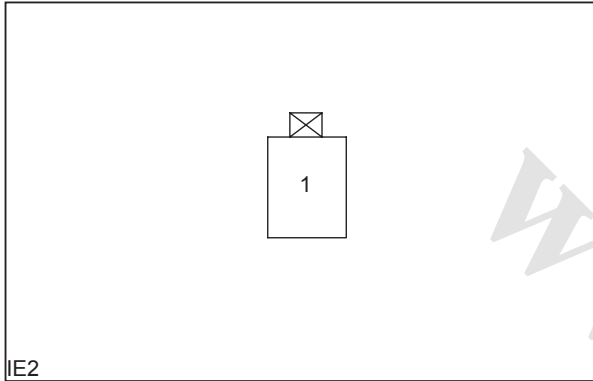
IE1a Pin Definition

Pin Number	Wire Width / Color	Function
1		NC
2		NC
3		NC
4		NC
5	0.50 BI/W	CAN-L
6	0.50 BI/B	CAN-H
7	0.50 O/G	Speed signal
8	0.50 Gr	Rear oxygen sensor Ground
9	0.50 V/B	Rear oxygen sensor heating signal
10	0.50 G	Rear oxygen sensor heating signal
11		NC
12	0.50 G/B	Brake switch signal
13	0.50 G/W	Brake switch signal
14		NC
15		NC
16		NC
17		NC
18		NC
19	0.50 W/BI	SVS indicator
20		NC
21	0.50 V	Charging indicator
22	0.50 Y/B	Oil pressure signal indicator

Harness Connector View

Instrument Harness Connector (I--)

IP Harness to Engine Harness Connector



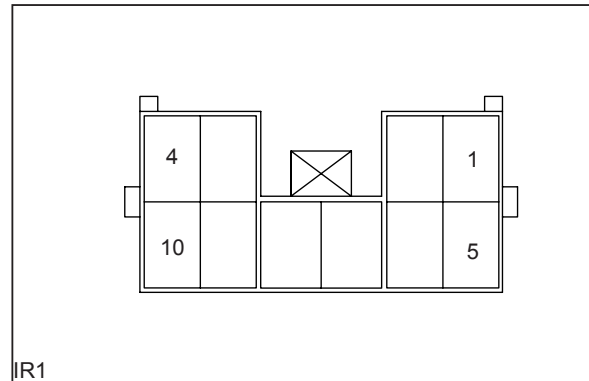
IE2

IE2 Pin Definition

Pin Number	Wire Width / Color	Function
1	2.00 B/Y	

Instrument Harness Connector (I--)

IP Harness to Sunroof Harness Connector



IR1

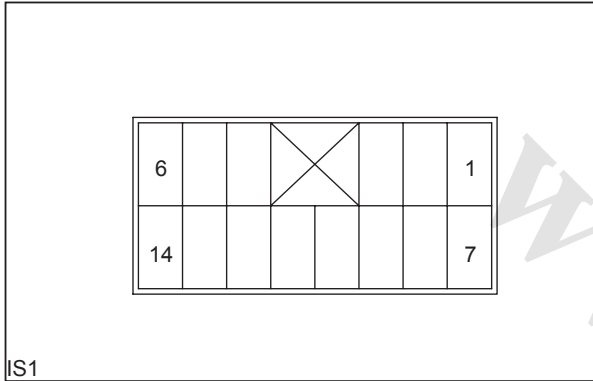
IR1 Pin Definition

Pin Number	Wire Width / Color	Function
1		NC
2	0.50 B	Ground
3	0.50 B/O	Tail gate ajar signal
4	0.50 BI	IG2 power
5	0.50 R	Sunroof control signal
6	0.50 G/Gr	Dome lamp control signal
7		NC
8		NC
9	0.85 R	Battery power
10	0.50 R/G	Battery power

Harness Connector View

Instrument Harness Connector (I--)

IP Harness to SRS Harness Connector

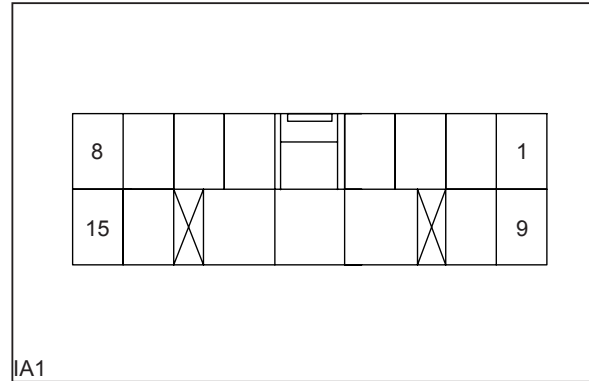


IS1 Pin Definition

Pin Number	Wire Width / Color	Function
1	0.50 O/W	Colision signal
2	0.50 B	Ground
3	0.50 Y/B	Driver side seat belt ajar signal
4		NC
5	0.50 R	IG1 power
6	0.50 O/B	SRS fault indicator
7	0.50 O	SRS fault diagnose signal
8		NC
9		NC
10		NC
11		NC
12	0.50 Y/W	Passenger side seat belt ajar signal
13		NC
14		NC

Instrument Harness Connector (I--)

IP Harness to A/C Harness Connector



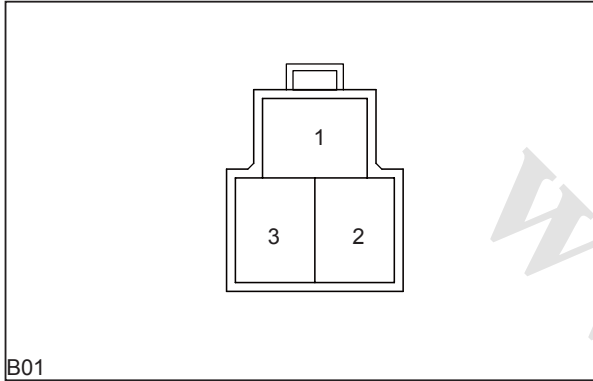
IA1 Pin Definition

Pin Number	Wire Width / Color	Function
1	0.50 B	Ground
2	0.85 B	Ground
3	0.50 G/W	Outside temperature signal
4	0.50 Br/W	Rear defroster relay control signal
5	0.50 Gr/P	A/C signal
6	0.50 G/Y	Interior lighting power
7	0.50 W	
8	0.50 W	IG2 power
9	0.50 O/Bl	
10	0.50 W	
11	3.00 B	Ground
12	3.00 Y	Power
13		NC
14		NC
15	0.50 R/Bl	Inside temperature signal

Harness Connector View

Body Harness Connector (B--)

Driver Side Seat Heating Connector

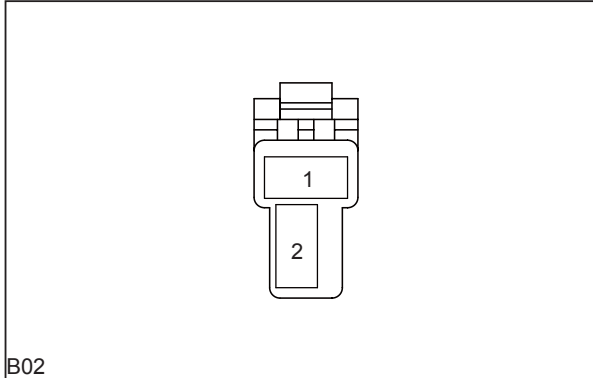


B01

B01 Pin Definition

Pin Number	Wire Width / Color	Function
1	1.25 B	Ground
2	1.25 G	Power input
3		NC

Driver Side Seat Belt Switch Connector



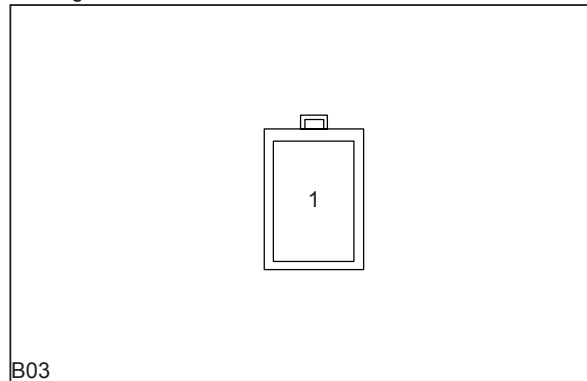
B02

B02 Pin Definition

Pin Number	Wire Width / Color	Function
1	0.50 Y/B	Driver side seat belt switch ajar signal
2	0.50 B	Ground

Body Harness Connector (B--)

Parking Brake Switch Connector

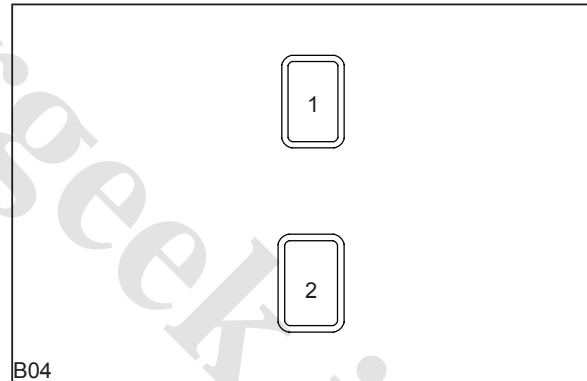


B03

B03 Pin Definition

Pin Number	Wire Width / Color	Function
1	0.50 BI/B	Parking brake switch signal

USB Power Connector



B04

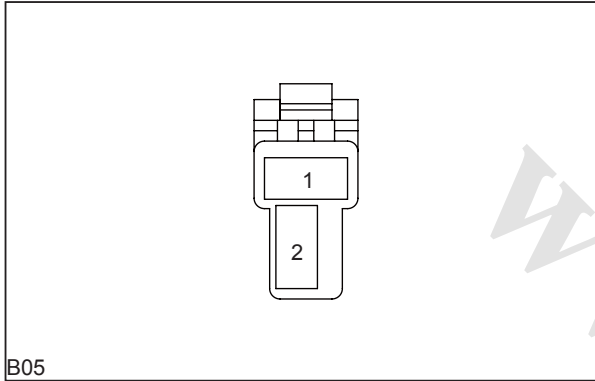
B04 Pin Definition

Pin Number	Wire Width / Color	Function
1	1.25 V/W	Power
2	1.25 B	Ground

Harness Connector View

Body Harness Connector (B--)

Passenger Side Seat Belt Switch Connector

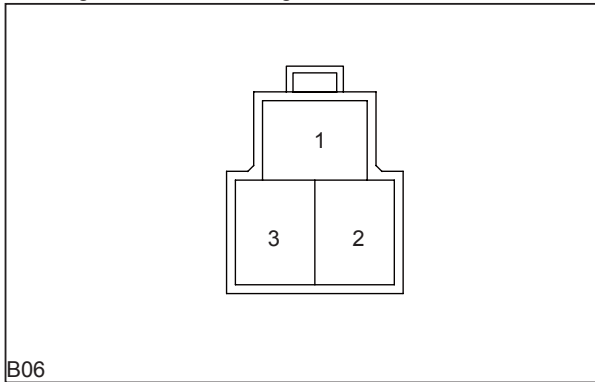


B05

B05 Pin Definition

Pin Number	Wire Width / Color	Function
1	0.50 Y/W	Passenger side seat belt switch ajar signal
2	0.50 B	Ground

Passenger Side Seat Heating Connector



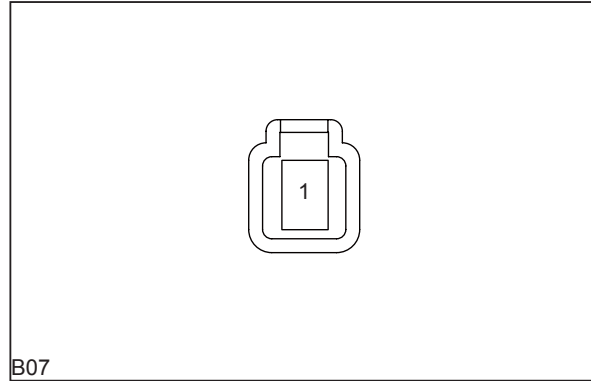
B06

B06 Pin Definition

Pin Number	Wire Width / Color	Function
1	1.25 B	Ground
2	1.25 Br	Power input
3		NC

Body Harness Connector (B--)

LF Door Lamp Switch Connector

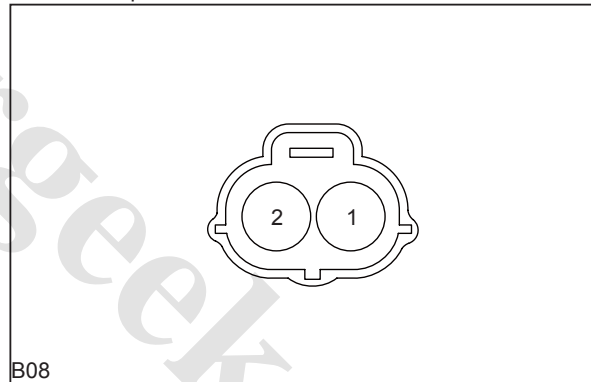


B07

B07 Pin Definition

Pin Number	Wire Width / Color	Function
1	0.50 B/Y	Signal

RR Wheel Speed Sensor Connector



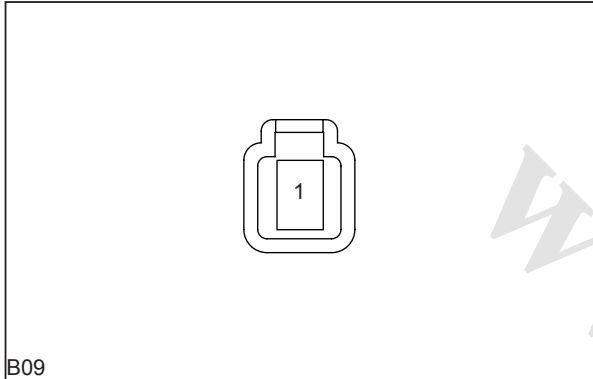
B08

B08 Pin Definition

Pin Number	Wire Width / Color	Function
1	0.50 Br/Y	RR WSS signal
2	0.50 Br/W	RR WSS signal

Harness Connector View

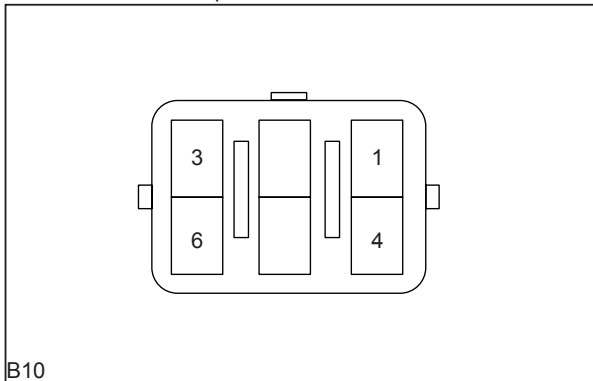
Body Harness Connector (B--)
RR Door Lamp Switch Connector



B09 Pin Definition

Pin Number	Wire Width / Color	Function
1	0.50 B/V	Signal

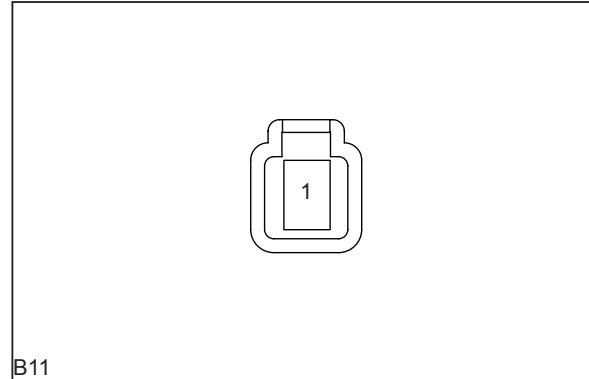
RR Combination Lamp Connector



B10 Pin Definition

Pin Number	Wire Width / Color	Function
1	0.50 B	Ground
2	0.85 B	Ground
3	0.50 G/O	RR turn lamp power
4	0.50 G/R	Reverse lamp power
5	0.50 G/W	Brake lamp power
6	0.50 BI	Width lamp power

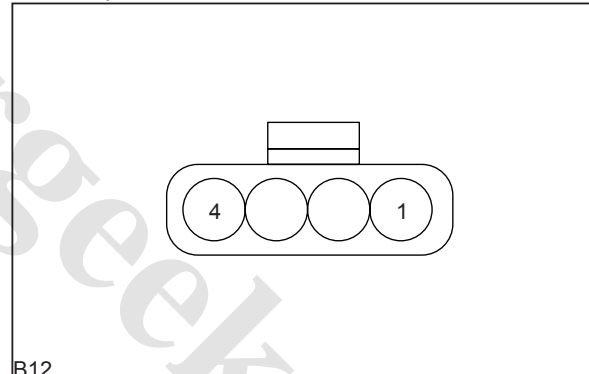
Body Harness Connector (B--)
LF Door Lamp Switch Connector



B11 Pin Definition

Pin Number	Wire Width / Color	Function
1	0.50 B/W	Signal

Fuel Pump Connector



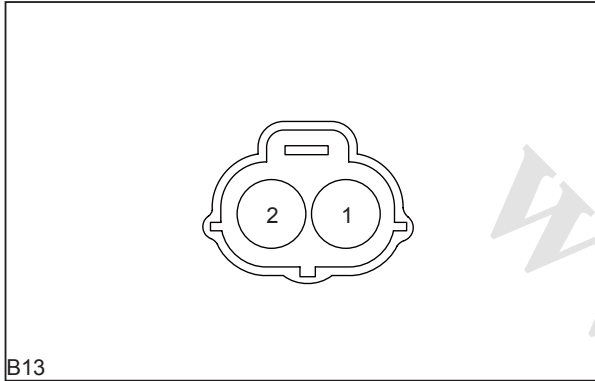
B12 Pin Definition

Pin Number	Wire Width / Color	Function
1	1.25 B	Ground
2	1.25 R/BI	Power
3	0.50 B	Ground
4	0.50 R/B	Fuel level sensor indicator

Harness Connector View

Body Harness Connector (B--)

LR Wheel Speed Sensor Connector

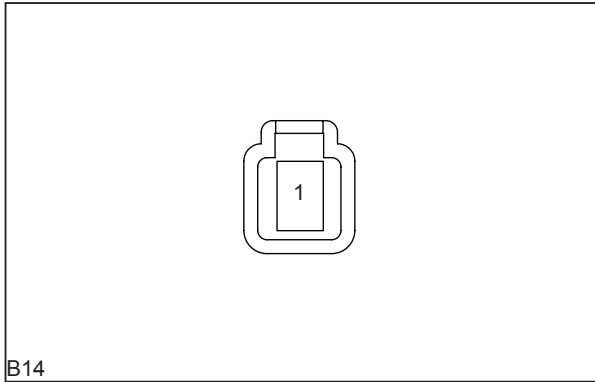


B13

B13 Pin Definition

Pin Number	Wire Width / Color	Function
1	0.50 Br/G	LR WSS signal
2	0.50 Br/P	LR WSS signal

LR Door Lamp Switch Connector



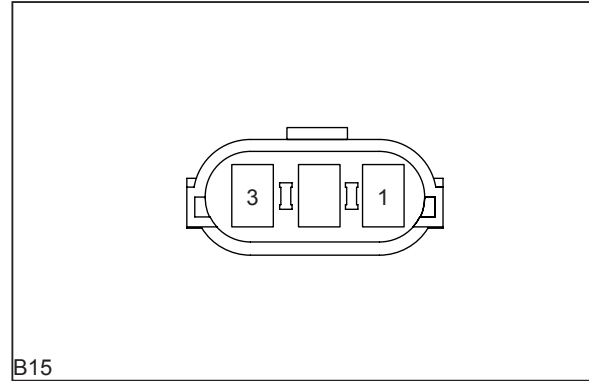
B14

B14 Pin Definition

Pin Number	Wire Width / Color	Function
1	0.50 B/P	Signal

Body Harness Connector (B--)

Anti-theft Alarm Connector

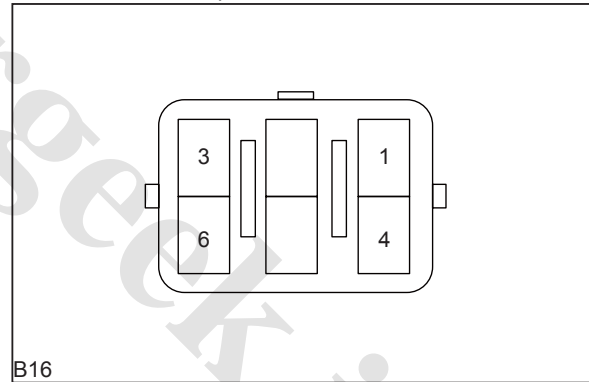


B15

B15 Pin Definition

Pin Number	Wire Width / Color	Function
1	0.50 Br/W	Anti-theft alarming signal
2		NC
3	0.50 B	Ground

LR Combination Lamp Connector



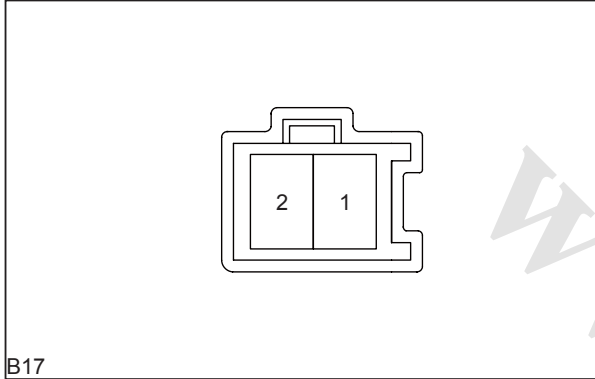
B16

B16 Pin Definition

Pin Number	Wire Width / Color	Function
1	0.50 B	Ground
2	0.85 B	Ground
3	0.50 G/R	LR turn lamp power
4	0.50 G/R	Reverse lamp power
5	0.50 G/W	Brake lamp power
6	0.50 BI	Width lamp power

Harness Connector View

Body Harness Connector (B--)
High Width Brake Lamp Connector



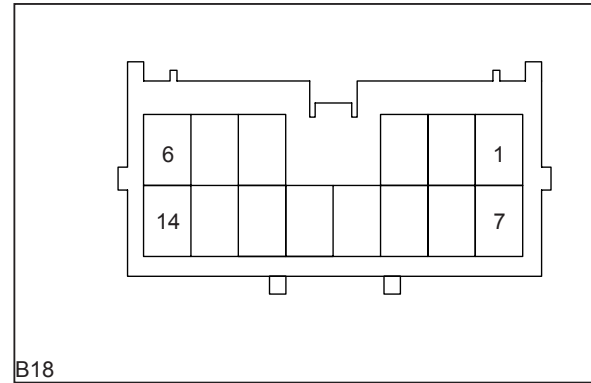
B17

B17 Pin Definition

Pin Number	Wire Width / Color	Function
1	0.50 B	Ground
2	0.50 G/W	Power

Body Harness Connector (B--)

Gear Width Switch Connector



B18

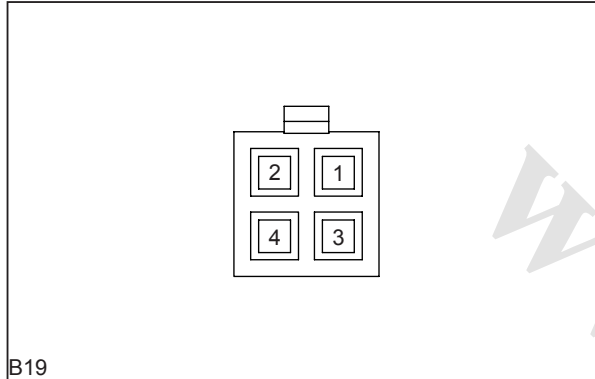
B18 Pin Definition

Pin Number	Wire Width / Color	Function
1	0.50 G/Y	Interior lighting power
2	0.50 Y/R	IG2 power
3		NC
4	0.50 B	Ground
5	0.50 Y/P	Shift mechanism signal
6		NC
7	0.50 B	Ground
8	0.50 B	Ground
9	0.50 B	Ground
10	0.50 R/Bl	Power
11		NC
12		NC
13	0.50 V/B	Shift mechanism signal
14	0.50 R/G	Shift mechanism signal

Harness Connector View

Body Harness Connector (B--)

MP5 Connector

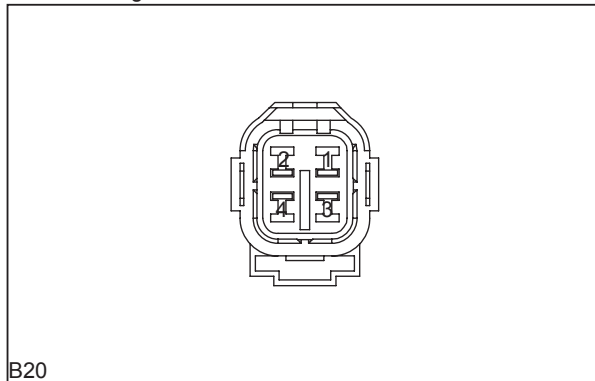


B19

B19 Pin Definition

Pin Number	Wire Width / Color	Function
1	0.50 B	Signal
2	0.50 W	Signal
3	0.50 G	Signal
4	0.50 R	Power

Reverse Image Connector



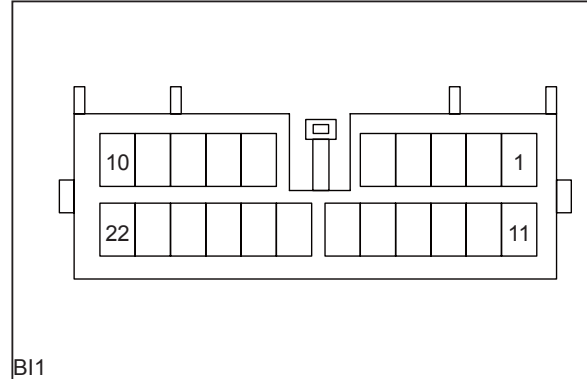
B20

B20 Pin Definition

Pin Number	Wire Width / Color	Function
1	0.50 W	Signal
2	0.50 B	Signal
3	0.50 G	Signal
4	0.50 R	Power

Body Harness Connector (B--)

Body Harness to IP Harness Connector



B11

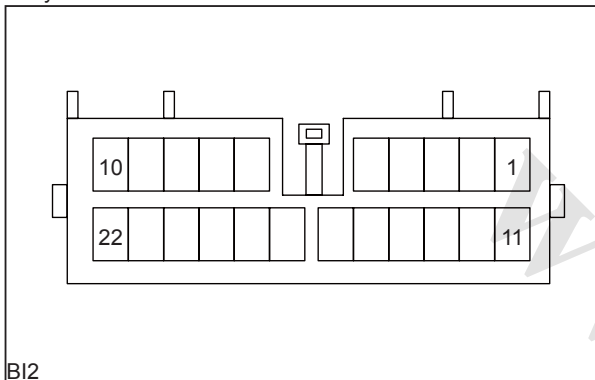
B11 Pin Definition

Pin Number	Wire Width / Color	Function
1	0.50 Y/R	IG2 power
2	1.25 G	Power input
3	0.50 Y/B	Driver side seat belt switch ajar signal
4	2.00 P	Rear defroster power
5	0.50 Y/G	LR power window switch down signal
6	1.25 V/W	USB power
7	0.50 V/G	Reverse radar signal
8	0.50 V/B	Reverse radar signal
9	0.50 Br/R	Tail gate unlock signal
10	0.50 B/P	LR door lamp control signal
11	0.50 V/BI	LR door speaker power-
12	0.50 V/G	LR door speaker power+
13	0.50 Y/P	Ground
14	0.50 Y/W	Passenger side seat belt switch ajar signal
15	0.50 B/W	LF door lamp control signal
16	0.50 R/G	Ground
17	0.85 P/Y	Rear wiper return power
18	0.50 G/R	LR turn lamp power
19	0.50 G/Br	Rear fog lamp power
20	0.85 P/G	Rear wiper power
21	0.50 Y/BI	LR power window switch up signal
22	0.50 R/B	Fuel level sensor indicator

Harness Connector View

Body Harness Connector (B--)

Body Harness to IP Harness Connector



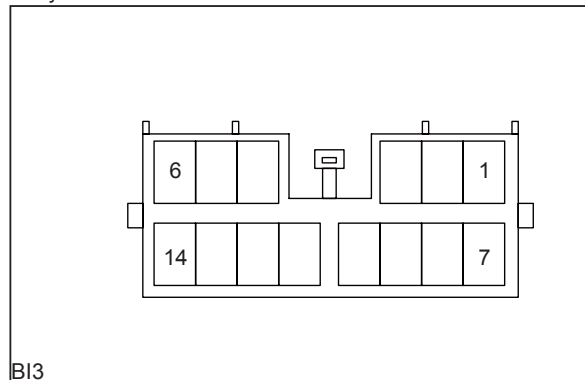
B12

B12 Pin Definition

Pin Number	Wire Width / Color	Function
1	0.50 G/W	Brake lamp power
2	0.50 V/B	RR door speaker power-
3	1.25 Y/Gr	RR power window down signal
4	0.50 V/W	RR door speaker power+
5	0.50 B/V	RR door lamp control signal
6	0.50 BI	Width lamp power
7	0.50 BI/B	Parking brake switch signal
8	0.50 B/Y	RF door lamp control signal
9	0.50 G/O	RR turn lamp power
10	0.50 Y/Br	RR power window switch down signal
11	0.50 B/O	Tail gate open signal
12		NC
13		NC
14	1.25 Y/B	RR power window up signal
15	0.50 V/W	Reverse radar signal
16	0.50 V/BI	Reverse radar signal
17	0.50 G/Y	Interior lighting power
18	0.50 R/G	Door lamp power
19		NC
20	0.50 Y/O	RR power window switch up signal
21	0.50 Br/V	Locking motor unlock signal
22	0.50 Br/O	Locking motor unlock signal

Body Harness Connector (B--)

Body Harness to IP Harness Connector



B13

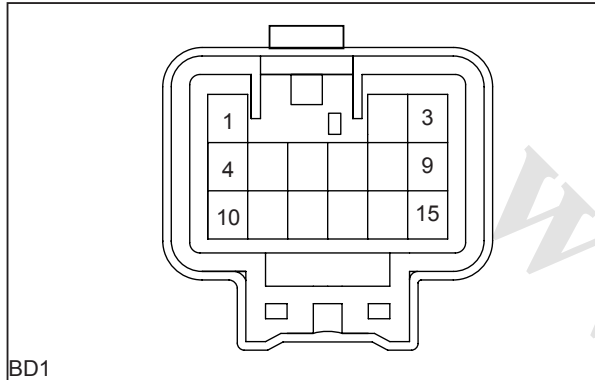
B13 Pin Definition

Pin Number	Wire Width / Color	Function
1	0.50 Br/G	LR WSS signal
2	0.50 Br/P	LR WSS signal
3	0.50 Y/B	Safety switch signal
4	0.50 R/BI	Power
5	1.25 R/BI	Fuel pump power
6	0.50 G/R	Reverse lamp power
7	0.50 Br/Y	RR WSS signal
8	0.50 Br/W	RR WSS signal
9	1.25 Y/Br	LF power window up signal
10	1.25 Y/V	LF power window down signal
11	0.50 Br/W	Anti-theft alarming signal
12	0.50 V/B	Ground
13		NC
14	1.25 Br	Power input

Harness Connector View

Body Harness Connector (B--)

Body Harness to LR Door Harness Connector



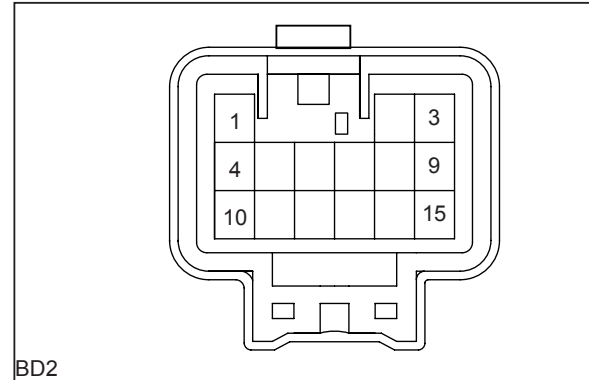
BD1

BD1 Pin Definition

Pin Number	Wire Width / Color	Function
1	1.25 Y/V	LR power window down signal
2		NC
3	1.25 Y/Br	LR power window up signal
4	0.50 B/P	LR door lamp control signal
5	0.50 Y/BI	LR power window switch up signal
6	0.50 Y/G	LR power window switch down signal
7	0.50 G/Y	Interior lighting power
8		NC
9	0.50 Y/B	Safety switch signal
10	0.50 V/BI	LR door speaker power-
11	0.85 B	Ground
12	0.50 Br/V	LR locking motor lock signal
13	0.50 Br/O	LR locking motor unlock signal
14	0.50 V/G	LR door speaker power+
15	0.50 R/G	LR door lamp power

Body Harness Connector (B--)

Body Harness to RR Door Harness Connector



BD2

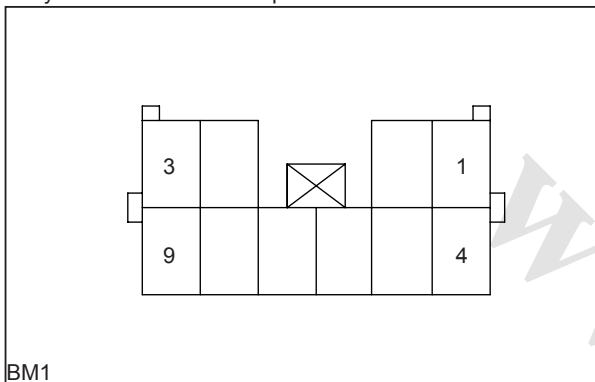
BD2 Pin Definition

Pin Number	Wire Width / Color	Function
1	1.25 Y/G	RR power window down signal
2		NC
3	1.25 Y/B	RR power window up signal
4	0.50 Y/O	RR power window switch up signal
5	0.50 G/Y	Interior lighting power
6	0.50 Y/B	Safety switch signal
7	0.50 R/G	RR door lamp power
8	0.50 V/W	RR door speaker power-
9	0.85 B	Ground
10	0.85 V/B	RR door speaker power+
11		NC
12	0.50 Y/Br	RR power window switch down signal
13	0.50 B/V	RR door lamp control signal
14	0.50 Br/V	RR locking motor lock signal
15	0.50 Br/O	RR locking motor unlock signal

Harness Connector View

Body Harness Connector (B--)

Body Harness to Rear Bumper Harness Connector



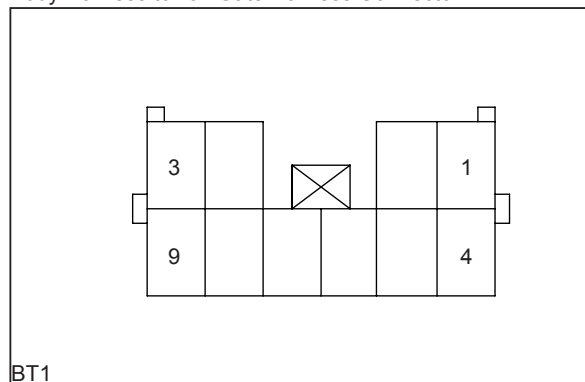
BM1

BM1 Pin Definition

Pin Number	Wire Width / Color	Function
1	0.50 V/B	Reverse radar signal
2		NC
3		NC
4		NC
5	0.50 V/BI	Reverse radar signal
6	0.50 B	Ground
7	0.50 V/W	Reverse radar signal
8	0.50 G/Br	Rear fog lamp power
9	0.50 V/G	Reverse radar signal

Body Harness Connector (B--)

Body Harness to Tail Gate Harness Connector



BT1

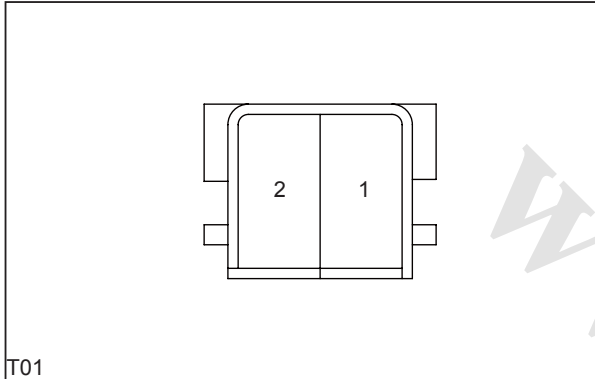
BT1 Pin Definition

Pin Number	Wire Width / Color	Function
1	2.00 P	Rear defroster power
2		NC
3	0.50 BI	Width lamp power
4	0.50 B/O	Tail gate open signal
5	0.50 Br/R	Tail gate unlock signal
6	0.85 P/Y	Rear wiper return power
7	0.85 P/G	Rear wiper power
8		NC
9		NC
10	0.50 Br/V	Tail gate lock signal

Harness Connector View

Tail Gate Harness Connector (T--)

LR License Lamp Connector

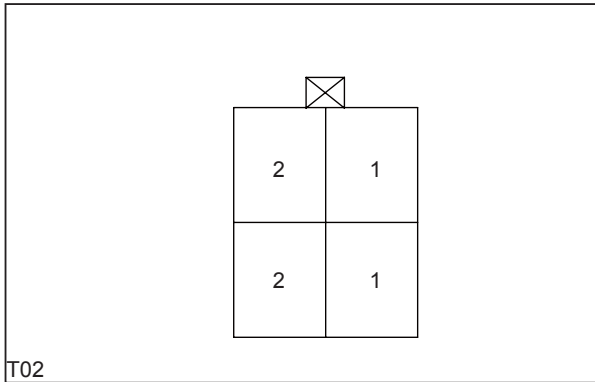


T01

T01 Pin Definition

Pin Number	Wire Width / Color	Function
1	0.50 BI	Power
2	0.50 B	Ground

Tail Gate Door Lock Connector



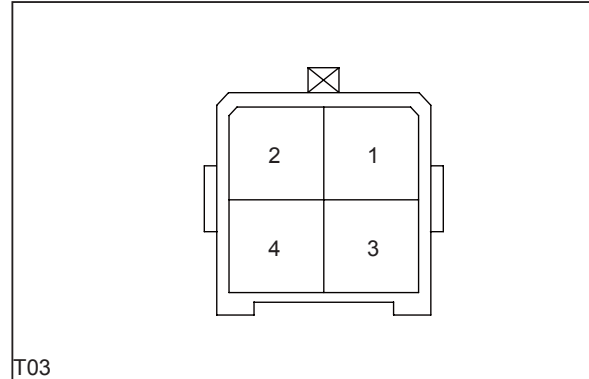
T02

T02 Pin Definition

Pin Number	Wire Width / Color	Function
1	0.85 Br/R	Tail gate unlock signal
2	0.50 Br/V	Tail gate lock signal
3	0.50 B/O	Tail gate open signal
4	9 0.50 B	Ground

Tail Gate Harness Connector (T--)

Rear Wiper Motor Connector

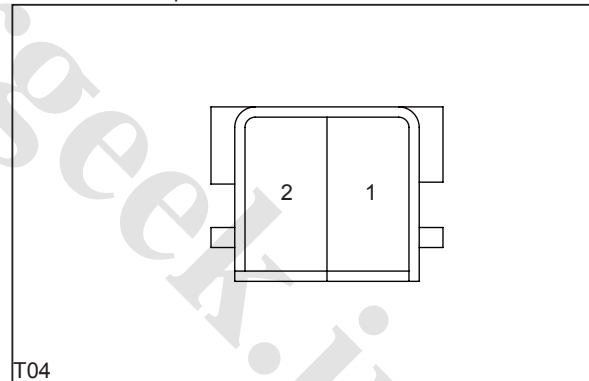


T03

T03 Pin Definition

Pin Number	Wire Width / Color	Function
1		NC
2	0.85 P/Y	Return power
3	0.85 P/G	Power
4	0.85 B	Ground

RR License Lamp Connector



T04

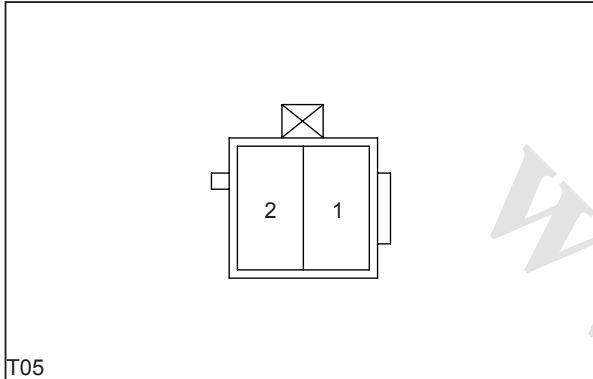
T04 Pin Definition

Pin Number	Wire Width / Color	Function
1	0.50 BI	Power
2	0.50 B	Ground

Harness Connector View

Tail Gate Harness Connector (T--)

Noise Filter Connector

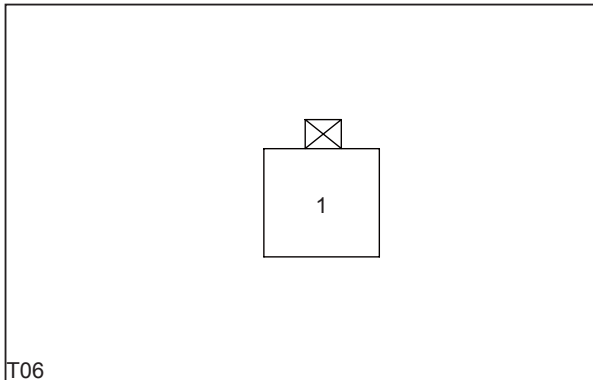


T05

T05 Pin Definition

Pin Number	Wire Width / Color	Function
1		NC
2	0.50 P	Nosie fliter signal
3		NC
4		NC

Rear Defroster Connector



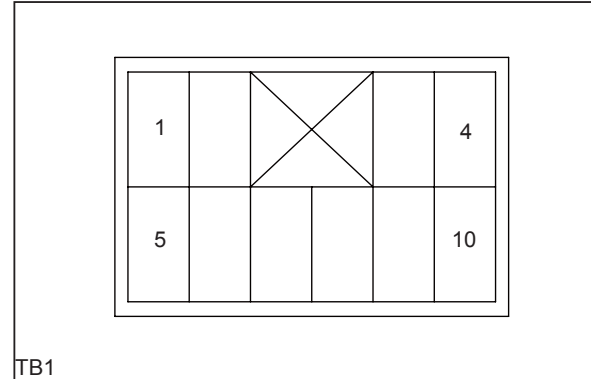
T06

T06 Pin Definition

Pin Number	Wire Width / Color	Function
1	2.00 P	Power

Tail Gate Harness Connector (T--)

Tail Gate Harness to Body Harness Connector



TB1

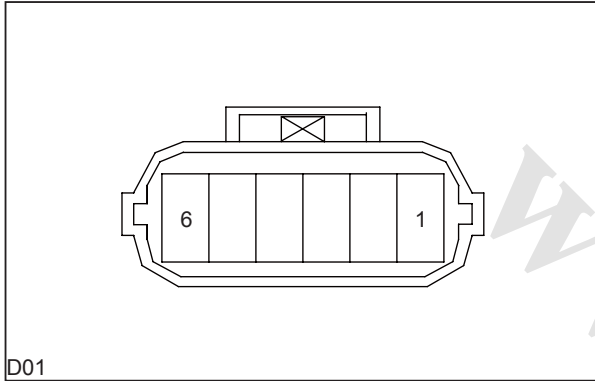
TB1 Pin Definition

Pin Number	Wire Width / Color	Function
1	2.00 P	Rear defroster power
2		NC
3	0.50 BI	Width lamp power
4	0.50 B/O	Tail gate open singal
5	0.50 Br/R	Tail gate unlock signal
6	0.85 P/Y	Rear wiper return power
7	0.85 P/G	Rear wiper power
8		NC
9		NC
10	0.50 Br/V	Tail gate lock signal

Harness Connector View

Door Harness Connector(D--)

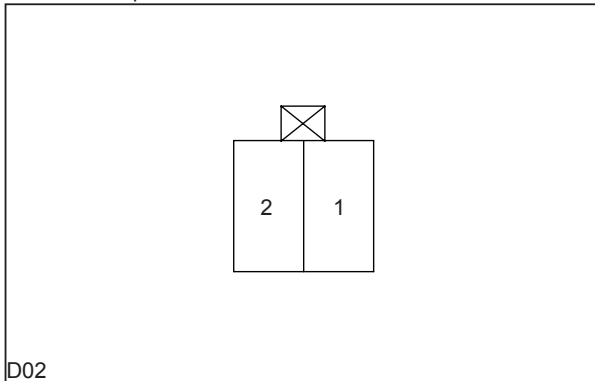
LF Door Lock Connector



D01 Pin Definition

Pin Number	Wire Width / Color	Function
1	0.85 Br/P	LF door locking unlock signal
2	0.85 Br/Gr	LF door locking lock signal
3	0.50 B/BI	Other door locking lock signal
4	0.50 B/G	Other door locking unlock signal
5	0.85 B	Ground
6	0.50 B/G	LF door locking status signal

LF Door Lamp Connector

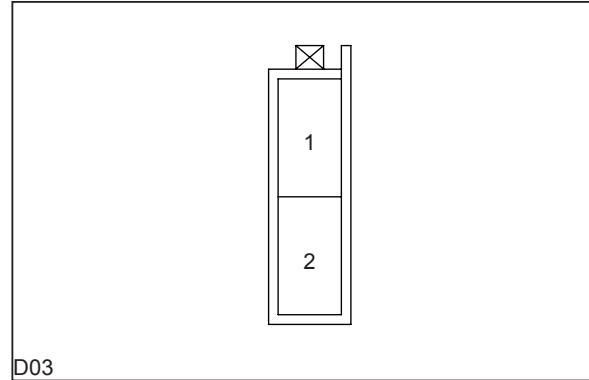


D02 Pin Definition

Pin Number	Wire Width / Color	Function
1	0.50 B/W	LF door lamp control signal
2	0.50 R/G	LF door lamp power

Door Harness Connector(D--)

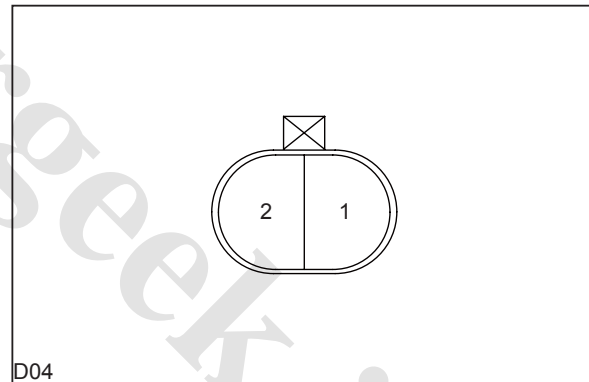
LF Door Speaker Connector



D03 Pin Definition

Pin Number	Wire Width / Color	Function
1	0.50 V/O	LF door speaker power+
2	0.50 Y/P	LF door speaker power-

LF Door Power Window Motor Connector



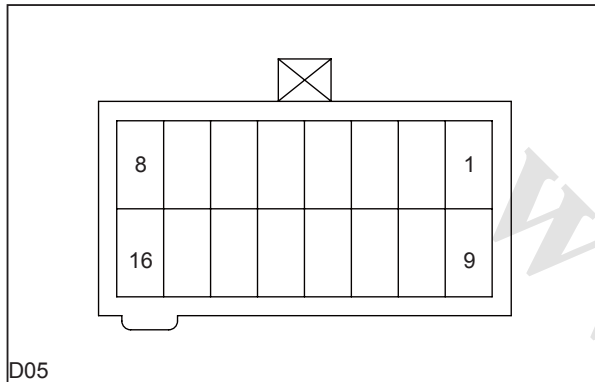
D04 Pin Definition

Pin Number	Wire Width / Color	Function
1	1.25 Y/W	Up signal
2	1.25 Y/R	Down signal

Harness Connector View

Door Harness Connector(D--)

LF Door Power Window Switch Connector



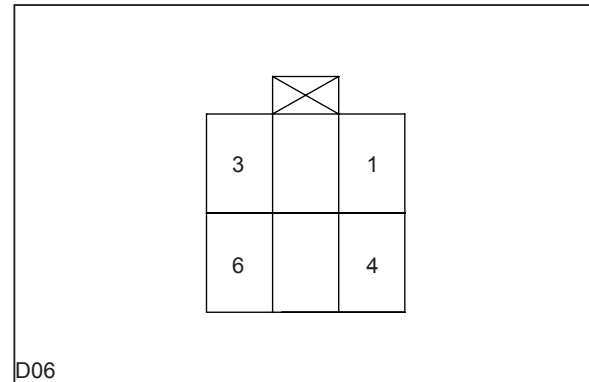
D05

D05 Pin Definition

Pin Number	Wire Width / Color	Function
1	0.50 Y/P	LF power window switch down signal
2	0.50 Y/R	LF power window switch up signal
3	0.50 R/G	Safty switch interior lighting power
4		NC
5		NC
6	0.50 Y/B	Safety switch signal
7	0.50 Y/G	LR power window switch down signal
8	0.50 Y/Bl	LR power window switch up signal
9	0.50 Y/V	RF power window switch down signal
10	0.50 Y/W	RF power window switch up signal
11	0.50 G/Y	Interior lighting power
12		NC
13	0.85 B	Ground
14		NC
15	0.50 Y/Br	RR power window switch down signal
16	0.50 Y/O	RR power window switch up signal

Door Harness Connector(D--)

Left Outside Power Rearview Mirror Connector

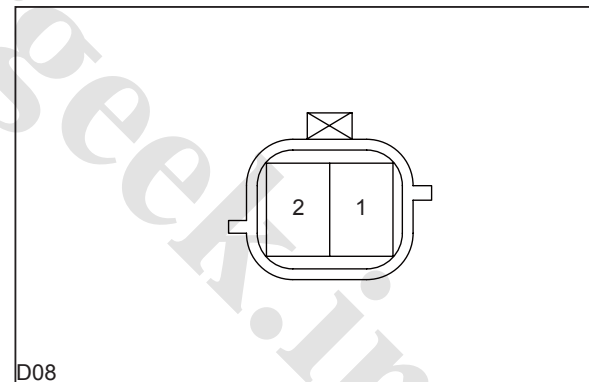


D06

D06 Pin Definition

Pin Number	Wire Width / Color	Function
1	0.50 G/R	Left side turn lamp power
2	0.50 P	Heating power
3	0.50 Y/G	Left rearview mirror L/R adjustment power
4	0.85 B	Ground
5	0.50 Y/Gr	Left rearview mirror adjustment control signal
6	0.50 Y/W	Left rearview mirror U/D adjustment power

RF Door Lock Connector



D08

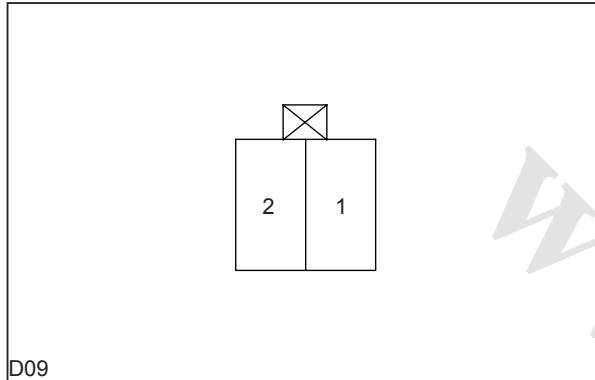
D08 Pin Definition

Pin Number	Wire Width / Color	Function
1	0.50 Br/O	RF locking motor unlock signal
2	0.50 Br/V	RF locking motor unlock signal

Harness Connector View

Door Harness Connector(D--)

RF Door Lamp Connector

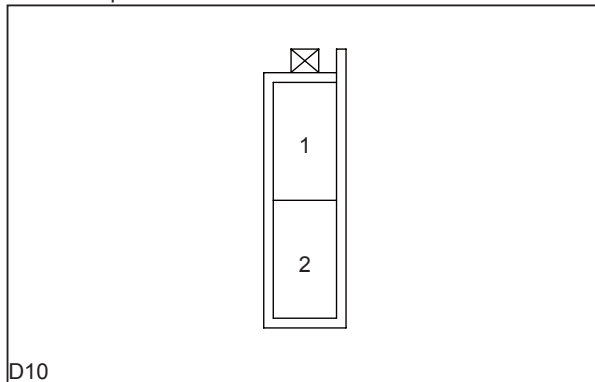


D09

D09 Pin Definition

Pin Number	Wire Width / Color	Function
1	0.50 B/Y	RF door lamp control signal
2	0.50 R/G	Power

RF Door Speaker Connector



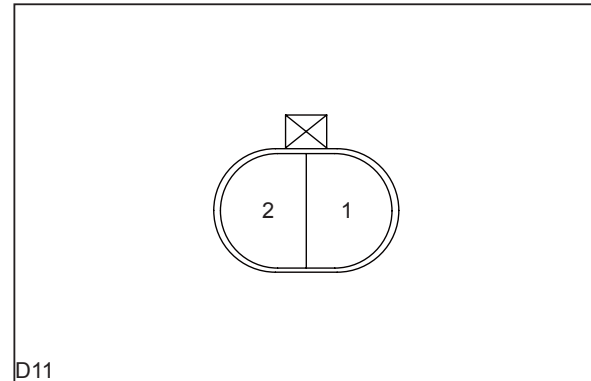
D10

D10 Pin Definition

Pin Number	Wire Width / Color	Function
1	0.50 V/W	RF door speaker power+
2	0.50 V/Br	RF door speaker power-

Door Harness Connector(D--)

RF Door Power Window Motor Connector

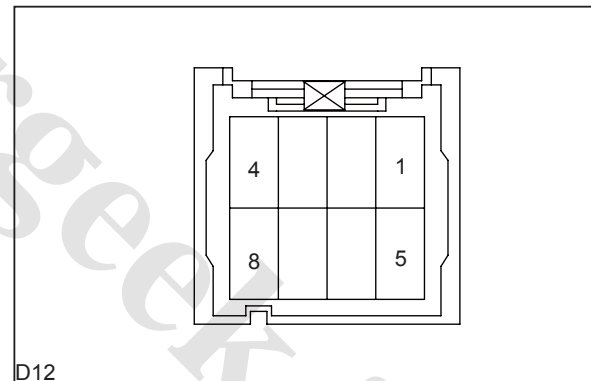


D11

D11 Pin Definition

Pin Number	Wire Width / Color	Function
1	1.25 Y/Bl	Up signal
2	1.25 Y/G	Down signal

RF Door Power Window Switch Connector



D12

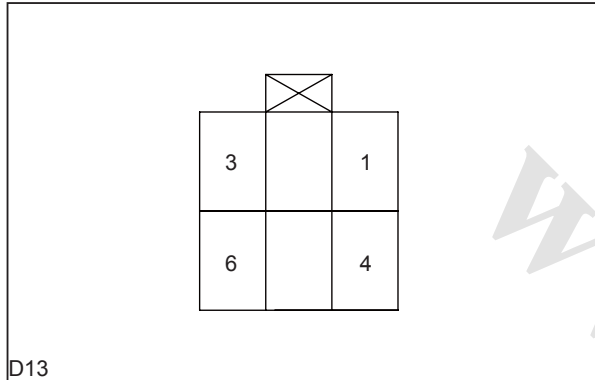
D12 Pin Definition

Pin Number	Wire Width / Color	Function
1	0.50 Y/W	LF power window switch up signal
2		NC
3		NC
4		NC
5	0.50 Y/B	Safety switch signal
6	0.85 B	Ground
7	0.50 Y/V	LF power window switch down signal
8	0.50 Br/O	Interior lighting power

Harness Connector View

Door Harness Connector(D--)

Right Outside Power Rearview Mirror Connector

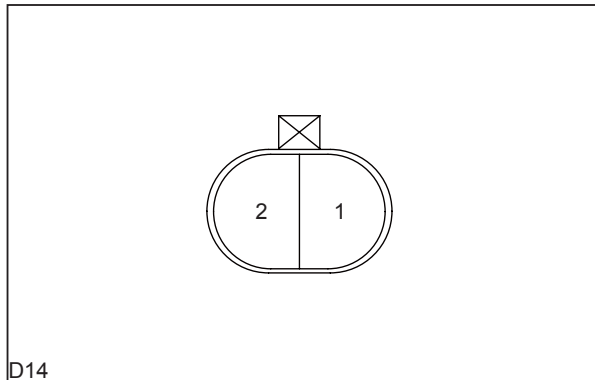


D13

D13 Pin Definition

Pin Number	Wire Width / Color	Function
1	0.50 G/O	Right side turn lamp power
2	0.50 P	Heating power
3	0.50 Y/G	Right rearview mirror L/R adjustment power
4	0.85 B	Ground
5	0.50 Y/Br	Right rearview mirror adjustment control signal
6	0.50 Y/BI	Right rearview mirror L/R adjustment power

LR Door Power Window Motor Connector



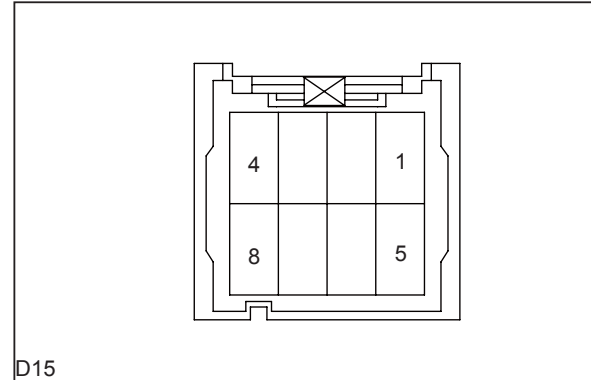
D14

D14 Pin Definition

Pin Number	Wire Width / Color	Function
1	1.25 Y/Br	Up signal
2	1.25 Y/V	Down signal

Door Harness Connector(D--)

LR Door Power Window Switch Connector

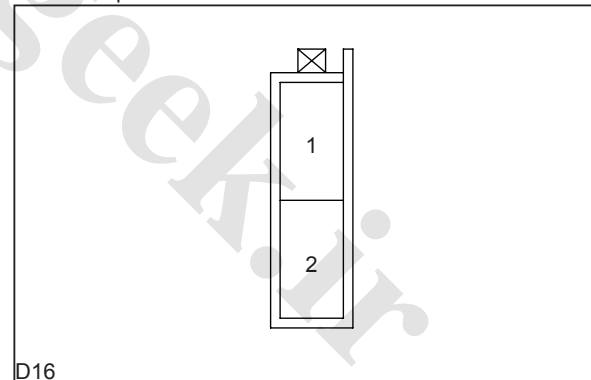


D15

D15 Pin Definition

Pin Number	Wire Width / Color	Function
1	0.50 Y/BI	LR power window switch up signal
2		NC
3		NC
4		NC
5	0.50 Y/B	Safety switch signal
6	0.85 B	Ground
7	0.50 Y/G	LR power window switch down signal
8	0.50 G/Y	Interior lighting power

LR Door Speaker Connector



D16

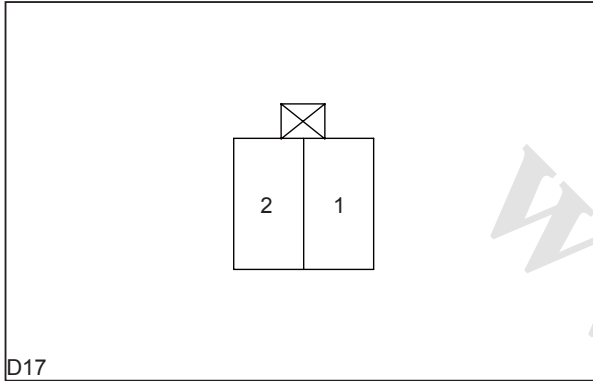
D16 Pin Definition

Pin Number	Wire Width / Color	Function
1	0.50 V/BI	LR door speaker power-
2	0.50 V/G	LR door speaker power+

Harness Connector View

Door Harness Connector(D--)

LR Door Lamp Connector

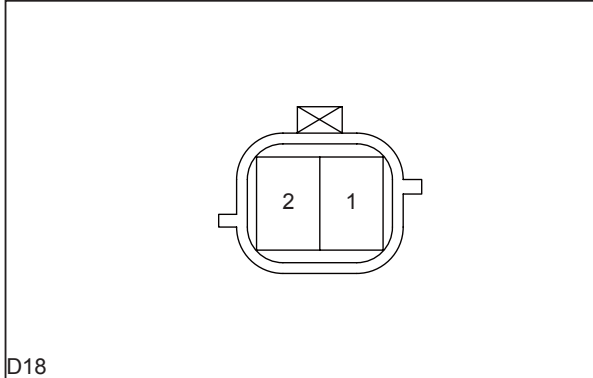


D17

D17 Pin Definition

Pin Number	Wire Width / Color	Function
1	0.50 B/P	LR door lamp control signal
2	0.50 R/G	Power

LR Door Lock Connector



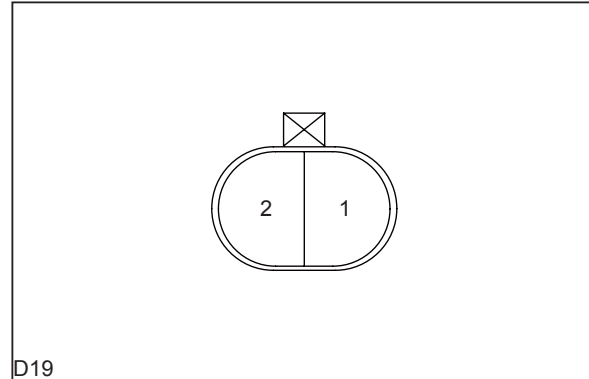
D18

D18 Pin Definition

Pin Number	Wire Width / Color	Function
1	0.50 Br/O	LR locking motor unlock signal
2	0.50 Br/V	LR locking motor lock signal

Door Harness Connector(D--)

RR Door Power Window Motor Connector

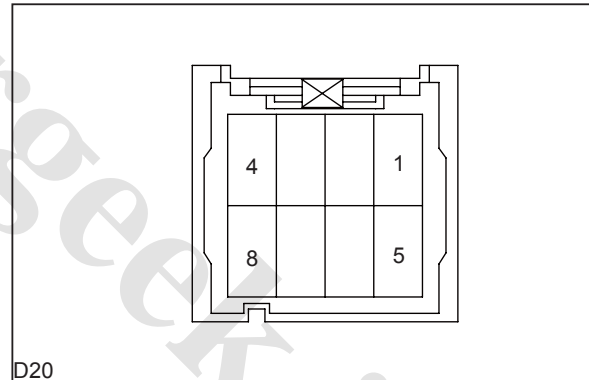


D19

D19 Pin Definition

Pin Number	Wire Width / Color	Function
1	1.25 Y/B	Up signal
2	1.25 Y/Gr	Down signal

RR Door Power Window Switch Connector



D20

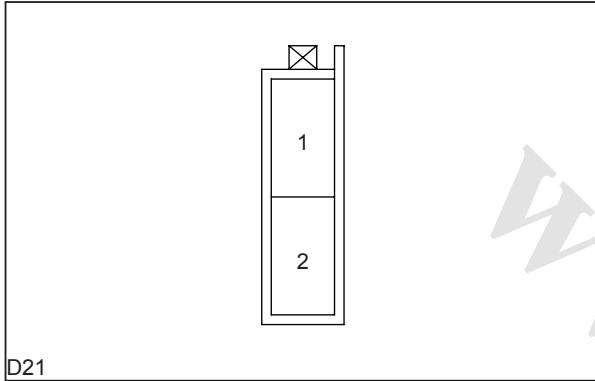
D20 Pin Definition

Pin Number	Wire Width / Color	Function
1	0.85 Y/O	RR power window switch up signal
2		NC
3		NC
4		NC
5	0.50 Y/B	Safety switch signal
6	0.85 B	Ground
7	0.50 Y/Br	RR power window switch down signal
8	0.50 G/Y	Interior lighting power

Harness Connector View

Door Harness Connector(D--)

RR Door Speaker Connector

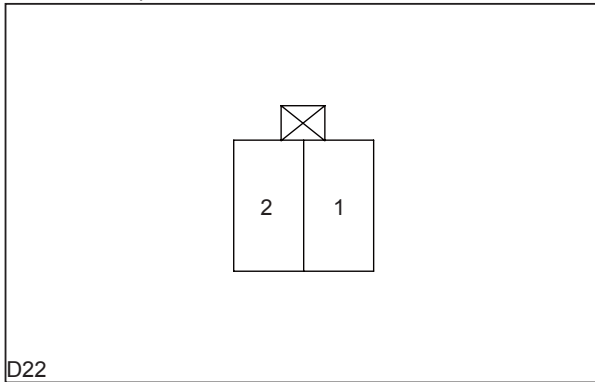


D21

D21 Pin Definition

Pin Number	Wire Width / Color	Function
1	0.50 V/B	RR door speaker power-
2	0.50 V/W	RR door speaker power+

RR Door Lamp Connector



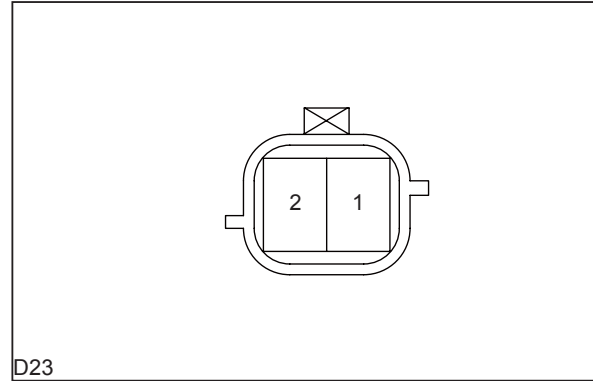
D22

D22 Pin Definition

Pin Number	Wire Width / Color	Function
1	0.50 B/V	RR door lamp control signal
2	0.50 R/Y	Power

Door Harness Connector(D--)

RR Door Lock Connector



D23

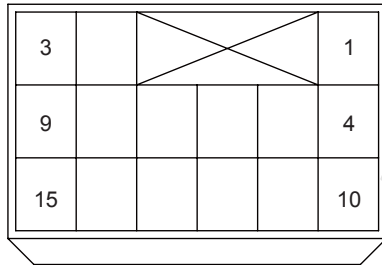
D23 Pin Definition

Pin Number	Wire Width / Color	Function
1	0.50 Br/O	RR locking motor unlock signal
2	0.50 Br/V	RR locking motor lock signal

Harness Connector View

Door Harness Connector(D--)

LF Door Harness to IP Harness Connector



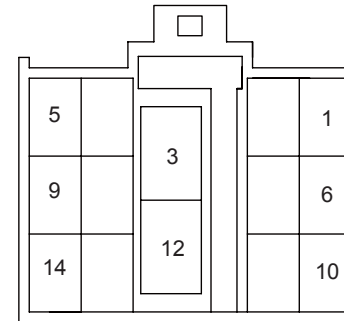
D11

D11 Pin Definition

Pin Number	Wire Width / Color	Function
1	0.50 G/R	Left side turn lamp power
2		NC
3		NC
4	0.50 Y/R	LF power window switchup signal
5	0.50 Y/G	Left rearview mirror L/R adjustment power
6	0.50 Y/P	LF power window switch down signal
7	0.50 R/G	Power
8	0.50 Y/Gr	Left rearview mirror adjustment control signal
9	0.85 Br/P	LF door locking unlock signal
10	0.50 Y/W	Left rearview mirror U/D adjustment power
11	0.50 P	Left rearview mirror heating power
12	0.50 V/P	LF door speaker power-
13	0.50 V/O	LF door speaker power+
14	0.85 B	Ground
15	0.50 B/W	LF door lamp control signal

Door Harness Connector(D--)

LF Door Harness to IP Harness Connector



D12

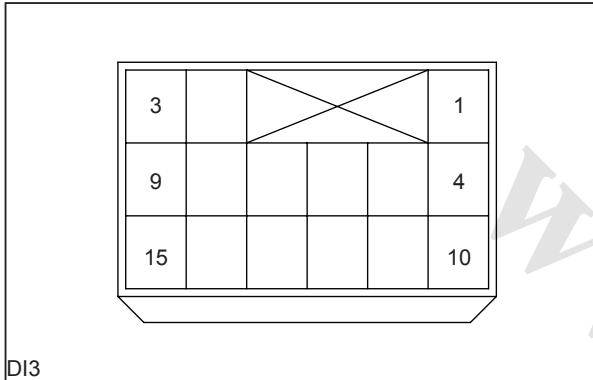
D12 Pin Definition

Pin Number	Wire Width / Color	Function
1	0.50 G/Y	Interior lighting power
2	0.50 Y/BI	LR power window switch up signal
3	1.25 Y/W	LF power window up signal
4	0.50 Y/B	Safety switch signal
5	0.50 Y/G	LR power window switch down signal
6	0.50 Y/O	LR power window switch down signal
7	0.50 Y/Br	RR power window switch down signal
8	0.50 Y/W	RF power window switch up signal
9	0.50 Y/V	RF power window switch down signal
10	0.85 Br/Gr	LF door locking lock signal
11	0.50 B/Gr	LF door locking status signal
12	1.25 Y/R	LF power window down signal
13	0.50 B/G	Other door locking unlock signal
14	0.50 B/BI	Other door locking lock signal

Harness Connector View

Door Harness Connector(D--)

RF Door Harness to IP Harness Connector



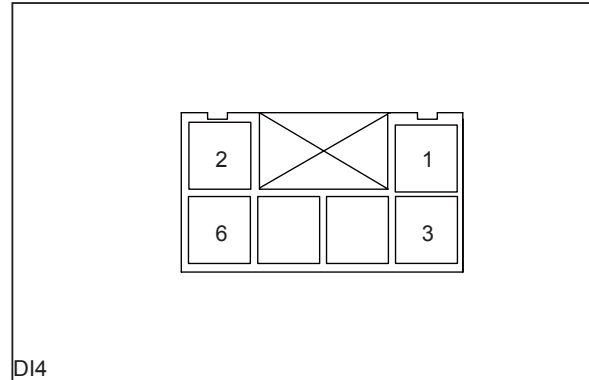
D13

D13 Pin Definition

Pin Number	Wire Width / Color	Function
1	1.25 Y/Bl	RF power window up signal
2		NC
3	1.25 Y/G	RF power window down signal
4		NC
5	0.50 R/G	RF door lamp power
6	0.50 B/Y	RF door lamp control signal
7	0.50 Y/B	Safety switch signal
8	0.50 Y/Br	RF power window switch signal
9		NC
10	0.50 Br/O	Interior lighting power
11	0.50 Y/G	Right rearview mirror L/R adjustment power
12	0.50 Y/V	RF power window switch down signal
13	0.50 G/O	Right side turn lamp power
14	0.50 Y/W	RF power window switch up signal
15	0.50 Y/Bl	Right rearview mirror L/R adjustment power

Door Harness Connector(D--)

RF Door Harness to IP Harness Connector



D14

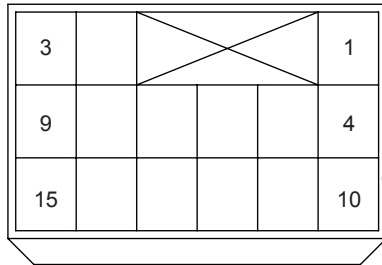
D14 Pin Definition

Pin Number	Wire Width / Color	Function
1	0.85 B	Ground
2	0.50 Br/O	RF locking motor unlock signal
3	0.50 Br/V	RF locking motor lock signal
4	0.50 V/Br	RF door speaker power-
5	0.50 P	Right rearview mirror heating power
6	0.50 V/W	RF door speaker power+

Harness Connector View

Door Harness Connector(D--)

LR Door Harness to IP Harness Connector



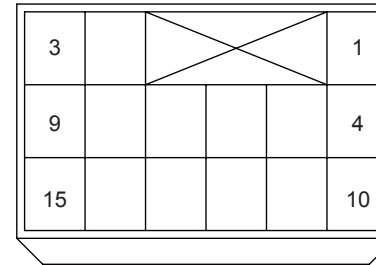
DB1

DB1 Pin Definition

Pin Number	Wire Width / Color	Function
1	1.25 Y/V	LR power window down signal
2		NC
3	1.25 Y/Br	LR power window up signal
4	0.50 B/P	LR door lamp control signal
5	0.50 Y/BI	LR power window switch up signal
6	0.50 Y/G	LR power window switch down signal
7	0.50 G/Y	Interior lighting power
8		NC
9	0.50 Y/B	Safety switch signal
10	0.50 V/BI	LR door speaker power-
11	0.85 B	Ground
12	0.50 Br/V	LR locking motor unlock signal
13	0.50 Br/O	LR locking motor lock signal
14	0.50 V/G	LR door speaker power+
15	0.50 R/G	LR door lamp power

Door Harness Connector(D--)

RR Door Harness to IP Harness Connector



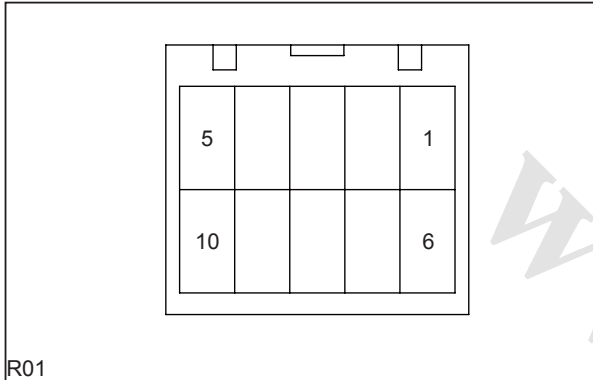
DB2

DB2 Pin Definition

Pin Number	Wire Width / Color	Function
1	1.25 Y/Gr	RR power window down signal
2		NC
3	1.25 Y/B	RR power window up signal
4	0.50 Y/O	RR power window switch up signal
5	0.50 G/Y	Interior lighting power
6	0.50 Y/B	Safety switch signal
7	0.50 R/G	RR door lamp power
8	0.50 V/W	RR door speaker power+
9	0.85 B	Ground
10	0.50 V/B	RR door speaker power-
11		NC
12	0.50 Y/Br	RR power window switch down signal
13	0.50 B/V	RR door lamp control signal
14	0.50 Br/V	RR locking motor lock signal
15	0.50 Br/O	RR locking motor unlock signal

Harness Connector View

Roof Harness Connector(R--)
Sunroof ECU Connector

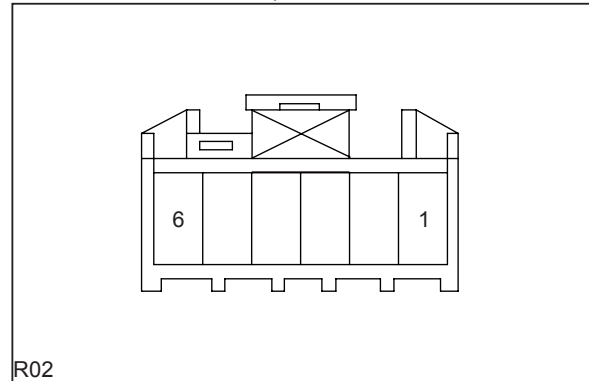


R01

R01 Pin Definition

Pin Number	Wire Width / Color	Function
1	0.50 B	Ground
2	0.85 B	Ground
3	0.50 Bl	IG2 power
4		NC
5	0.50 W/Bl	Front dome lamp control signal
6	0.85 R	Battery power
7		NC
8		NC
9	0.50 R	Sunroof control signal
10	0.50 Y	Front dome lamp control signal

Roof Harness Connector(R--)
Sunroof Switch/Dome Lamp Connector

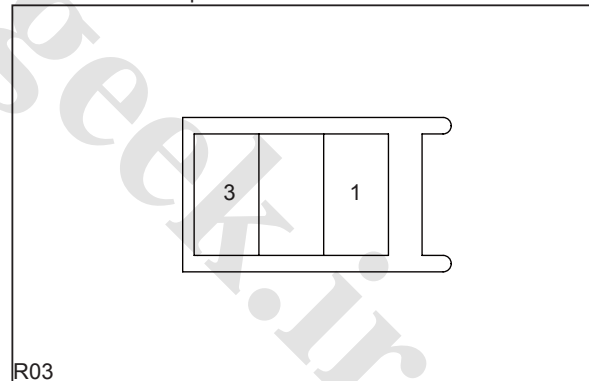


R02

R02 Pin Definition

Pin Number	Wire Width / Color	Function
1	0.50 B	Ground
2	0.50 W/Bl	Front dome lamp control signal
3	0.50 Y	Front dome lamp control signal
4	0.50 G/Gr	Front dome lamp control signal
5	0.50 B	Ground
6	0.50 R/G	Battery power

Middle Dome Lamp Connector



R03

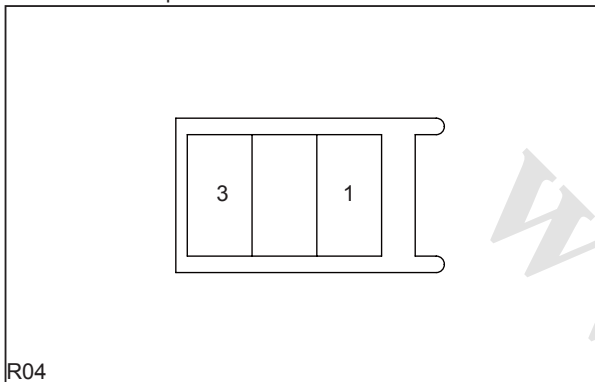
R03 Pin Definition

Pin Number	Wire Width / Color	Function
1	0.50 R/G	Battery power
2	0.50 G/Gr	Midle dome lamp control signal
3	0.50 B	Ground

Harness Connector View

Roof Harness Connector(R--)

Rear Dome Lamp Connector



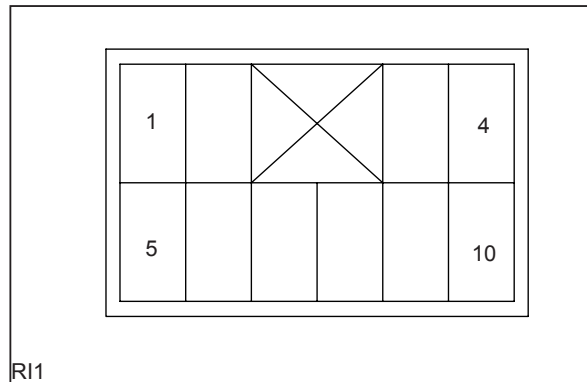
R04

R04 Pin Definition

Pin Number	Wire Width / Color	Function
1	0.50 R/G	Battery power
2	0.50 B/O	Tail gate ajar signal
3	0.50 B	Ground

Roof Harness Connector(R--)

Roof Harness to IP Harness Connector



R11

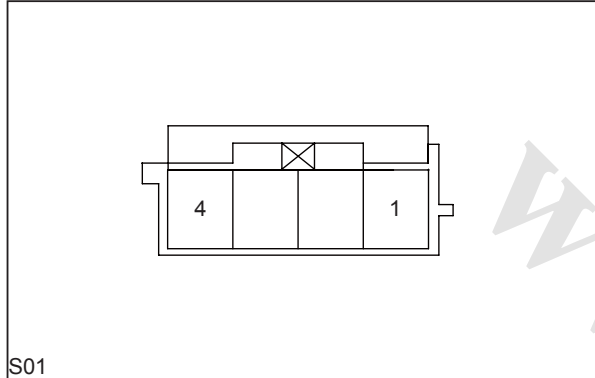
R11 Pin Definition

Pin Number	Wire Width / Color	Function
1		NC
2	0.50 B	Ground
3	0.50 B/O	Tail gate ajar signal
4	0.50 BI	IG2 power
5	0.50 R	Sunroof control signal
6	0.50 G/Gr	Dome lamp control signal
7		NC
8		NC
9	0.85 R	Battery power
10	0.50 R/G	Battery power

Harness Connector View

SRS Harness Connector(S--)

Driver Side Air Bag Connector

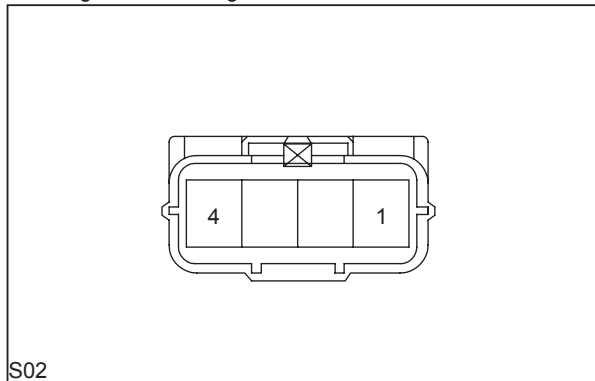


S01

S01 Pin Definition

Pin Number	Wire Width / Color	Function
1	0.50 V	Driver side air bag signal
2	0.50 Br	Driver side air bag signal
3		NC
4		NC

Passenger Side Air Bag Connector



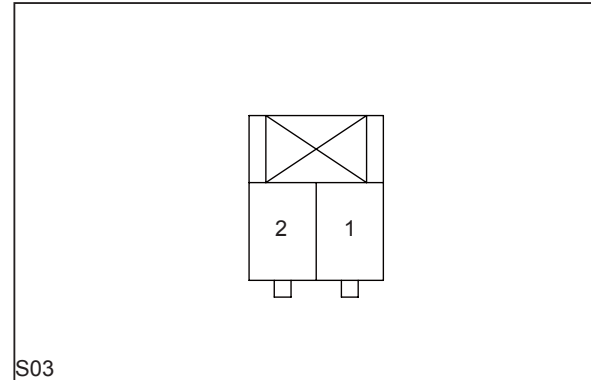
S02

S02 Pin Definition

Pin Number	Wire Width / Color	Function
1		NC
2	0.50 W	Passenger side air bag signal
3	0.50 P	Passenger side air bag signal
4		NC

SRS Harness Connector(S--)

Driver Side Pre-safe Safety Belt Connector

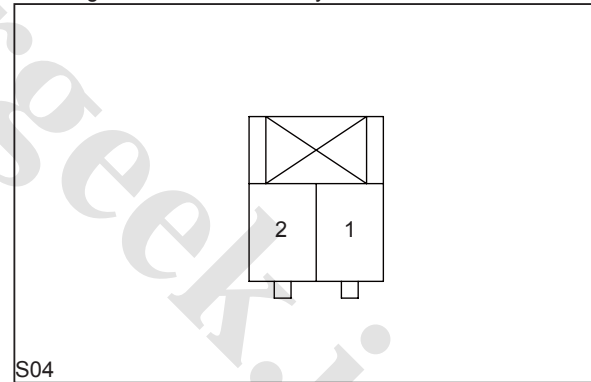


S03

S03 Pin Definition

Pin Number	Wire Width / Color	Function
1	0.50 O/Br	Driver side pre-safe safety belt signal
2	0.50 O/Bl	Driver side pre-safe safety belt signal

Passenger Pre-safe Side Safety Belt Connector



S04

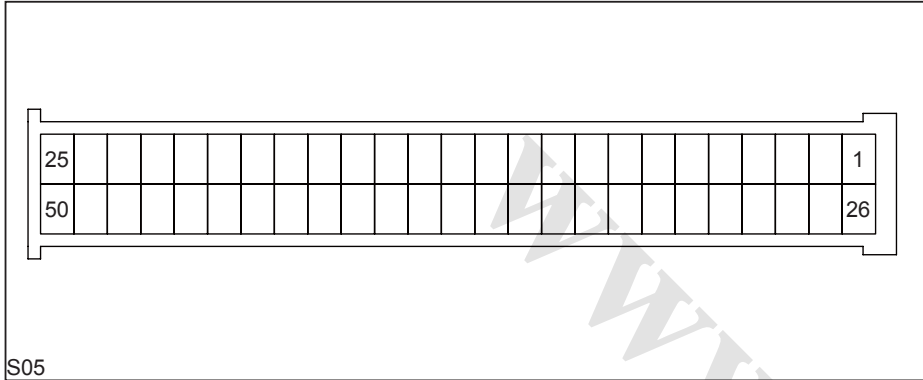
S04 Pin Definition

Pin Number	Wire Width / Color	Function
1	0.50 O/V	Passenger side pre-safe safety belt signal
2	0.50 O/Gr	Passenger side pre-safe safety belt signal

Harness Connector View

SRS Harness Connector(S--)

SRS ECU Connector



S05 Pin Definition

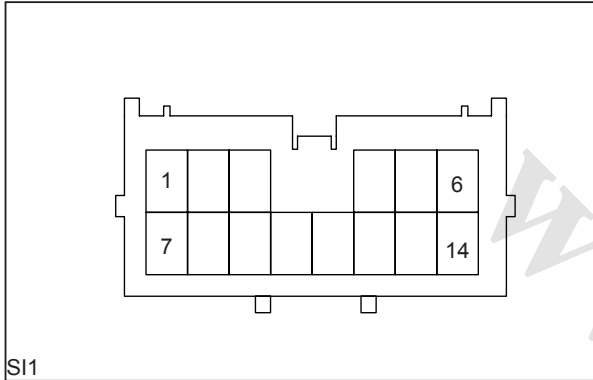
Pin Number	Wire Width / Color	Function
1		NC
2		NC
3		NC
4		NC
5	0.50 R	Power
6		NC
7	0.50 Y/B	Driver side seat belt ajar signal
8	0.50 O/B	Air bag fault indicator
9		NC
10		NC
11		NC
12		NC
13		NC
14		NC
15		NC
16		NC
17		NC
18		NC
19	0.50 O/Bl	Driver side pre-safe safety belt signal
20		NC
21		NC
22		NC
23		NC
24		NC
25		NC
26	0.50 V	Driver side air bag signal
27	0.50 Br	Driver side air bag signal
28	0.50 W	Passenger side air bag signal
29	0.50 P	Passenger side air bag signal

SRS Harness Connector(S--)

Pin Number	Wire Width / Color	Function
30	0.50 B	Ground
31	0.50 O	SRS fault diagnose signal
32	0.50 Y/W	Passenger side seat belt ajar signal
33	0.50 O/W	Colision signal
34		NC
35		NC
36		NC
37		NC
38		NC
39		NC
40		NC
41	0.50 O/V	Passenger side pre-safe safety belt signal
42	0.50 O/Gr	Passenger side pre-safe safety belt signal
43		NC
44	0.50 O/Br	Driver side pre-safe safety belt signal
45		NC
46		NC
47		NC
48		NC
49		NC
50		NC

Harness Connector View

SRS Harness Connector(S--)
SRS Harness to IP Harness Connector



S11

S11 Pin Definition

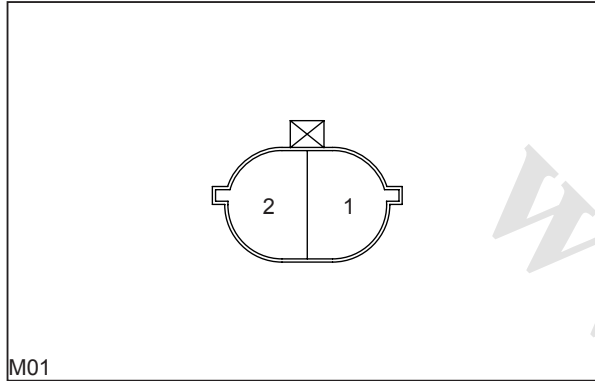
Pin Number	Wire Width / Color	Function
1	0.50 O/W	Collision signal
2	0.50 B	Ground
3	0.50 Y/B	Driver side seat belt ajar signal
4		NC
5	0.50 R	IG1 power
6	0.50 O/B	SRS fault indicator
7	0.50 O	SRS fault diagnose signal
8		NC
9		NC
10		NC
11		NC
12	0.50 Y/W	Passenger side seat belt ajar signal
13		NC
14		NC

SRS Harness Connector(S--)

Harness Connector View

Rear Bumper Harness Connector(M--)

LR Fog Lamp Connector

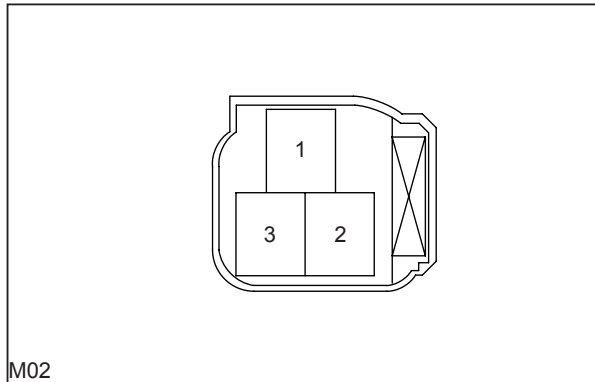


M01

M01 Pin Definition

Pin Number	Wire Width / Color	Function
1	0.50 B	Ground
2	0.50 G/Br	Power

LR Reverse Radar Connector



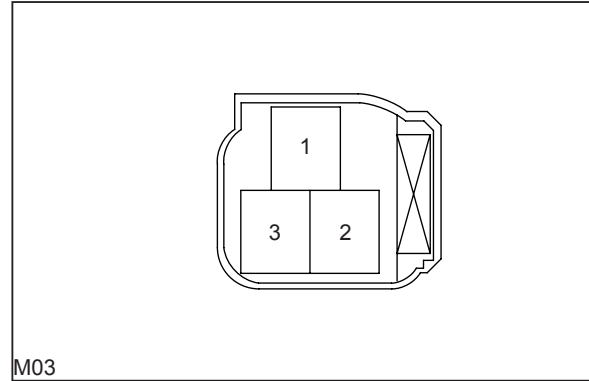
M02

M02 Pin Definition

Pin Number	Wire Width / Color	Function
1	0.50 V/BI	Reverse radar signal
2	0.50 V/B	Reverse radar signal
3	0.50 V/G	Reverse radar signal

Rear Bumper Harness Connector(M--)

RR Reverse Radar Connector

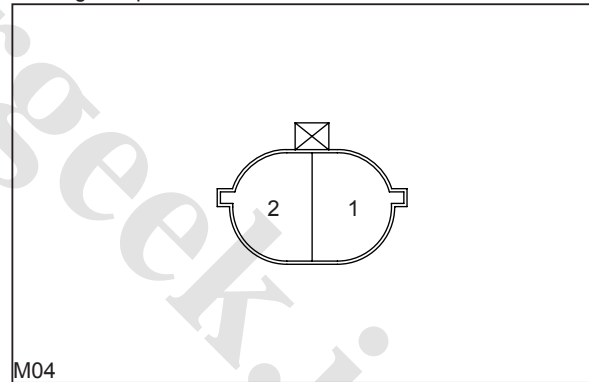


M03

M03 Pin Definition

Pin Number	Wire Width / Color	Function
1	0.50 V/W	Reverse radar signal
2	0.50 V/B	Reverse radar signal
3	0.50 V/G	Reverse radar signal

RR Fog Lamp Connector



M04

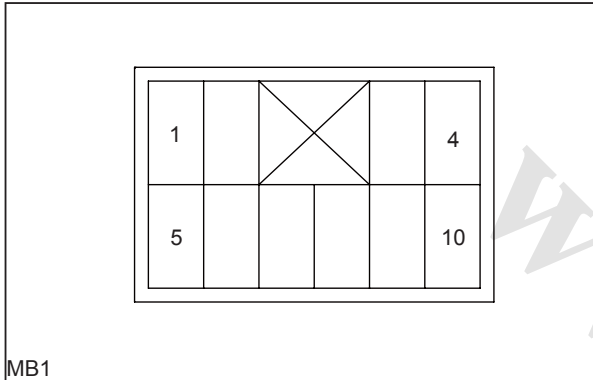
M04 Pin Definition

Pin Number	Wire Width / Color	Function
1	0.50 B	Ground
2	0.50 G/Br	Power

Harness Connector View

Rear Bumper Harness Connector(M--)

Rear Bumper Harness to Body Harness Connector



MB1

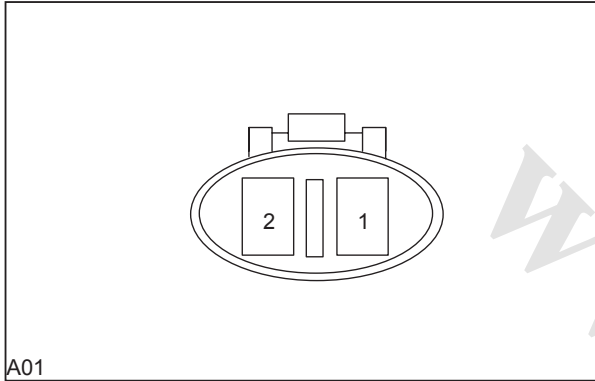
MB1 Pin Definition

Pin Number	Wire Width / Color	Function
1	0.50 V/B	Reverse radar signal
2		NC
3		NC
4		NC
5	0.50 V/BI	Reverse radar signal
6	0.50 B	Ground
7	0.50 V/W	Reverse radar signal
8	0.50 G/Br	Rear fog lamp power
9	0.50 V/G	Reverse radar signal
10		NC

Rear Bumper Harness Connector(M--)

Harness Connector View

Air Conditioning Harness Connector(A--)
Evaporator Temperature Sensor Connector

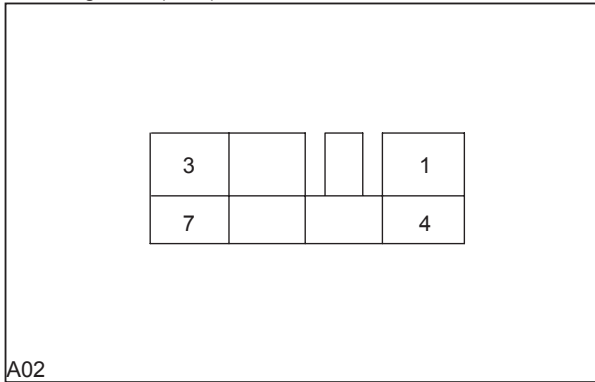


A01

A01 Pin Definition

Pin Number	Wire Width / Color	Function
1	0.50 B/W	Ground
2	0.50 Br	Signal

Air Fixing Motor(Blue) Connector

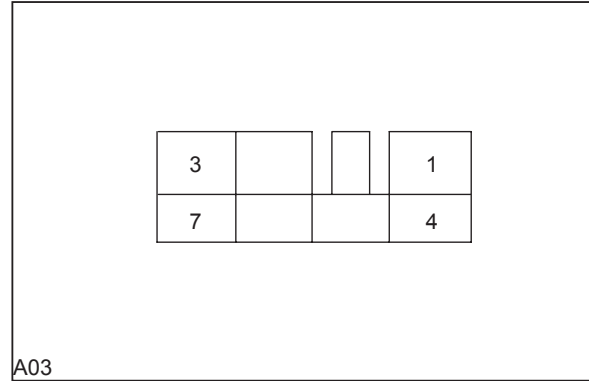


A02

A02 Pin Definition

Pin Number	Wire Width / Color	Function
1	0.50 B/W	Ground
2	0.50 BI/W	Air fixing motor signal-
3		NC
4	0.50 BI/Y	Air fixing motor power+
5	0.50 R/Y	Air fixing motor signal+
6	0.50 Br/R	Air fixing motor power-
7		NC

Air Conditioning Harness Connector(A--)
Model Motor(White) Connector

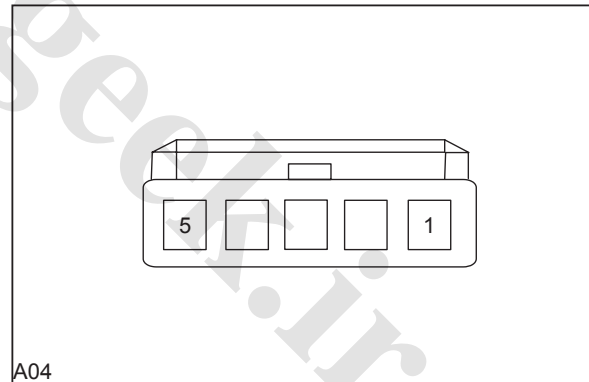


A03

A03 Pin Definition

Pin Number	Wire Width / Color	Function
1	0.50 B/W	Ground
2	0.50 BI/W	Model motor signal-
3		NC
4	0.50 R/B	Model motor power+
5	0.50 R/G	Model motor signal+
6	0.50 Gr/R	Model motor power-
7		NC

In-outside Circulation Motor Connector



A04

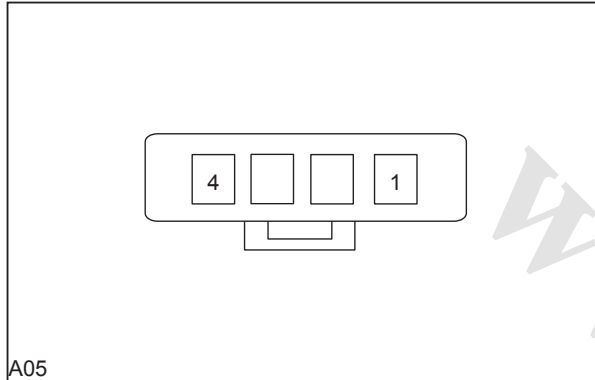
A04 Pin Definition

Pin Number	Wire Width / Color	Function
1	0.50 W/R	Power
2		NC
3		NC
4	0.50 W/B	In-outside circulation motor power+
5	0.50 Gr/BI	In-outside circulation motor power-

Harness Connector View

Air Conditioning Harness Connector(A--)

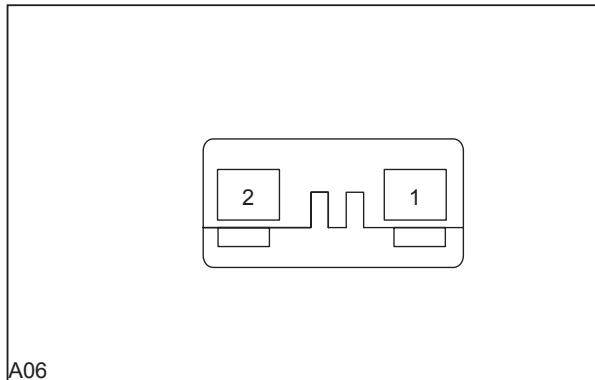
Bolwer Adjustment Model Connector



A05 Pin Definition

Pin Number	Wire Width / Color	Function
1	2.00 B	Ground
2	0.50 Y/R	Bolwer adjustment model signal-
3	0.50 Gr/B	Bolwer adjustment model signal+
4	2.00 B	Signal

Blower Connector

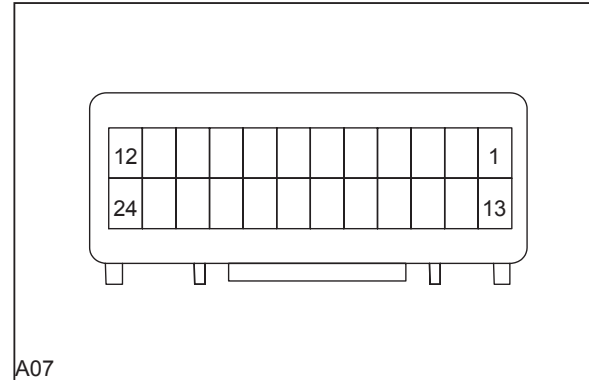


A06 Pin Definition

Pin Number	Wire Width / Color	Function
1	3.00 B	Control signal
2	3.00 R	Power

Air Conditioning Harness Connector(A--)

AC Control Panel-1 Connector



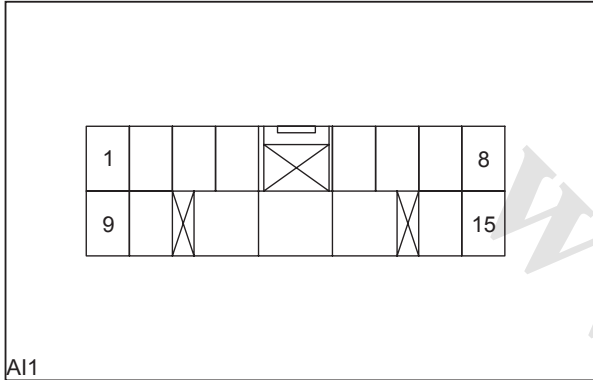
A07 Pin Definition

Pin Number	Wire Width / Color	Function
1	0.50 BI/Y	Air fixing motor power+
2	0.50 Br/R	Air fixing motor power-
3	0.50 Br/W	K16 relay control signal
4	0.50 R/Y	Air fixing motor signal+
5	0.50 R/G	Model motor signal+
6	0.50 Br	Evaporator temperature sensor signal
7		NC
8		NC
9		NC
10		NC
11	0.50 G/Y	Ground
12	0.50 BI/B	Ground
13	0.50 W/R	IG2 power
14	0.50 W/B	In-outside circulation motor power+
15	0.50 Gr	A/C signal
16	0.50 B/W	Ground
17	0.50 BI/W	signal-
18	0.50 R/B	Model motor power+
19	0.50 Gr/R	Model motor power-
20	0.50 Gr/Y	Interior lighting power
21	0.50 Gr/BI	In-outside circulation motor power-
22	0.50 Gr/B	Bolwer adjustment model signal+
23	0.50 Y/R	Bolwer adjustment model signal-
24		NC

Harness Connector View

Air Conditioning Harness Connector(A--)

AC Harness to IP Harness Connector



A11

A11 Pin Definition

Pin Number	Wire Width / Color	Function
1	0.50 Bl/B	Ground
2		NC
3		NC
4	0.50 Br/W	Rear defroster relay control signal
5	0.50 Gr	A/C signal
6	0.50 Gr/Y	Interior lighting power
7		NC
8	0.50 W/R	IG2 power
9		NC
10		NC
11	3.00 B	Ground
12	3.00 R	Power
13		NC
14		NC
15		NC

Air Conditioning Harness Connector(A--)

Abbreviations

Abbreviations	Description
A/C	Air Conditioning
AAT	Ambient Air Temperature
ABS	Anti-lock Brake System
AM/FM	Amplitude Modulation/ Frequency Modulation
APP	Accelerator Pedal Position
ASR	Acceleration Slip Regulation
AT	Automatic Transmission
ATF	Automatic Transmission Fluid
BCM	Body Control Module
CAN	Controller Area Network
CD	Compact Disc
CKP	Crankshaft Position Sensor
CMP	Camshaft Position Sensor
CRK	Crank
DDM	Driver Door Module
DLC	Data Link Connector
DOHC	Double Overhead Camshaft
DTC	Diagnostic Trouble Code
DVD	Digital Video Disk
EBD	Electronic Brakeforce Distribution
ECM	Engine Control Module
ECT	Engine Coolant Temperature
EGR	Exhaust-Gas Recirculation
EOBD	European On Board Diagnostic
ESP	Electronic Stability Program
ETC	Electronic Tune Control
EVAP	Evaporative Emission Control System
FWD	Front Wheel Drive
GPS	Global Positioning System
GVM	Gross Vehicle Mass
HCU	Hydraulic Control Unit
HFM	Hands Free Module
HID	High Intensity Discharge
HO ₂ S	Heated Oxygen Sensor
HVAC	Heating, Ventilation and Air Conditioning
I/P	Instrument Panel
IAC	Idle Air Control Valve
IAT	Intake Air Temperature
ICU	Integrated Control Unit
IPC	Instrument Panel Cluster
ISO	International Standards Organization
ISS	Input Shaft Speed
KS	Knock Sensor
LED	Light Emitting Diode
LF	Left Front

LIN	Local Interconnect Network
LR	Left Rear
MAF	Mass Air Flow
MAP	Manifold Absolute Pressure
MIL	Malfunction Indicator Lamp
MP3	MPEG Audio Layer 3
MT	Manual Transmission
MTC	Manual Temperature Control
MY	Model Year
OBD-II	On Board Diagnostic II
OEM	Original Equipment Manufacturer
PAM	Parking Aid Module
PCV	Positive Crankcase Ventilation
PDC	Power Distribution Center
PDM	Passenger Door Module
PIN	Personal Identification Number
PWM	Pulse Width Modulation
RF	Right Front
RR	Right Rear
SAE	Society of Automotive Engineers
SAS	Steering Angle Sensor
SCCM	Steering Column Control Module
SDM	Supplemental Diagnostic Module
SFI	Sequential Fuel Injection
SOHC	Single Overhead Camshaft
SRI	Service Reminder Indicator
SRR	Supplemental Restraint System
TCC	Torque Converter Clutch
TCM	Transmission Control Module
TIR	Total Indicator Reading
TPMS	Tire Pressure Monitoring System
TPS	Throttle Position Switch
TRS	Transmission Range Sensor
TSB	Technical Service Bulletin
TWC	Three-way Catalyst
VFD	Vacuum Fluorescent Display
VIN	Vehicle Identification Number
VSS	Vehicle Speed Sensor
WSS	Wheel Speed Sensor
RKE	Remote Keyless Entry
PEPS	Passive entry Passive Start

 Note: Refer to the workshop manual for the abbreviations not covered by the list.

www.cargeek.ir

-  No.1539, Jinkai Avenue, NNZ, Chongqing, China.
-  [Http://www.lifanmotors.net](http://www.lifanmotors.net)
-  iecauto03@lifan.com
-  +00862361668042/00862361668043